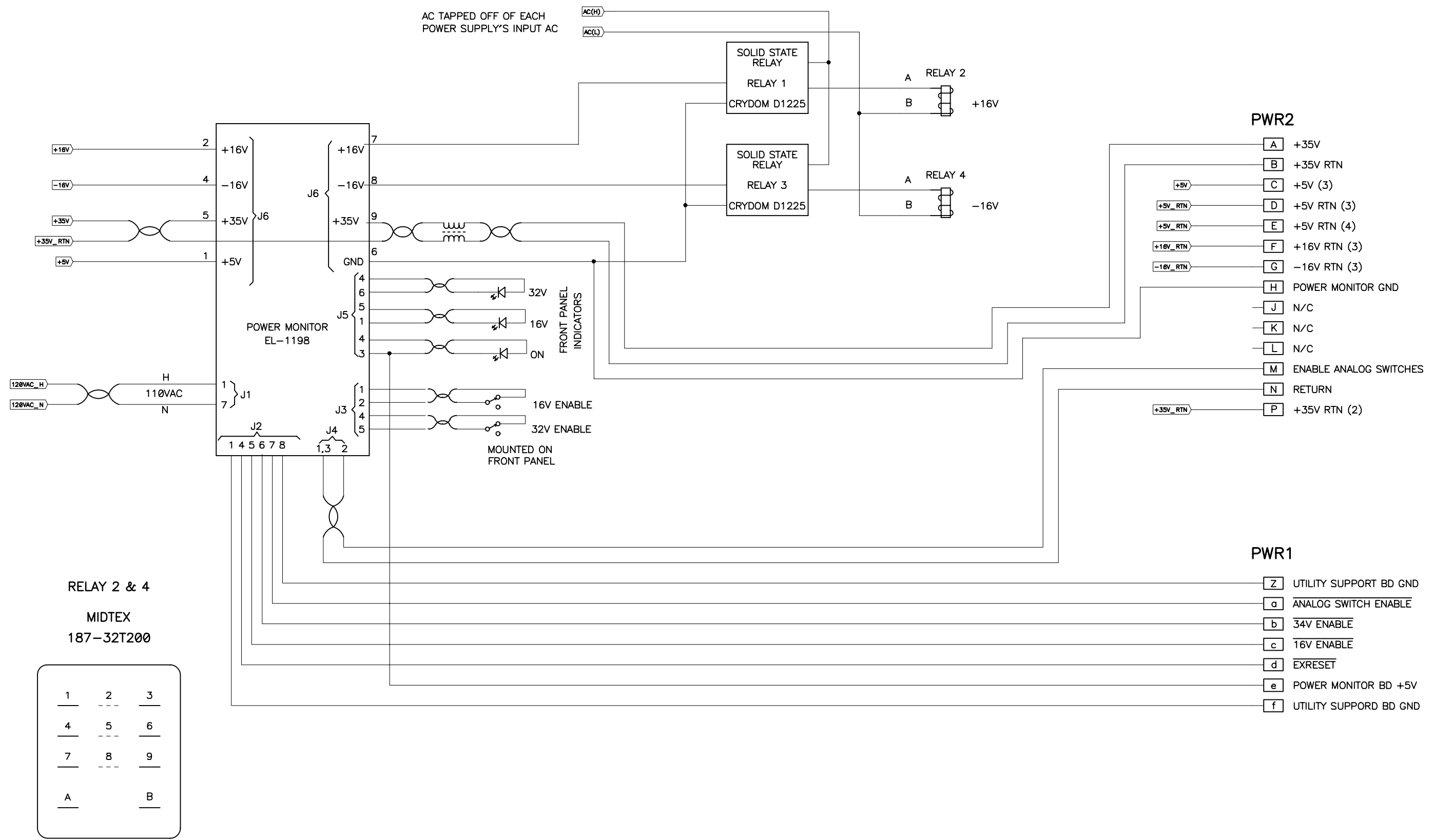


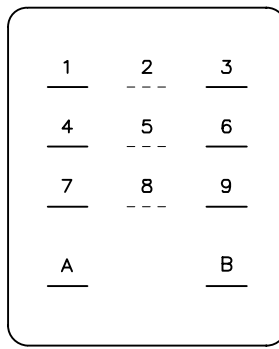
UNIVERSITY OF CALIFORNIA LICK OBSERVATORY		DEIMOS EXTERNAL CCD POWER SUPPLY WIRING	
DES'N BY: B. Alcott	ORIGIN DATE: 05-23-98	DWG. NO.	NUM. 1 OF 2
Last SN	MODIFY DATE: 10-05-98	EL-3281-1L	
PATH: SDSUCCD\EXPSWIRE			

REVISION  
10-05-98 ADDED RELAY DIAGRAM

AC TAPPED OFF OF EACH  
POWER SUPPLY'S INPUT AC



RELAY 2 & 4  
MIDTEX  
187-32T200



REVISION  
 06-02-98 REVERSED D1 BECAUSE ITS HOOKED ONTO THE -16V OUTPUT  
 10-05-98 ADDED RELAY DIAGRAM  
 10-25-98 ADDED SOLID-STATE RELAYS AND CHANGED RELAYS 2 AND 4 TO 120VAC RELAYS

UNIVERSITY OF CALIFORNIA LICK OBSERVATORY		DWG. NO. EL-3281-1L	
DES'N BY: B. Alcott	ORIGIN DATE: 05-23-98	NUM. 2	OF 2
Last SN	MODIFY DATE: 10-25-98	REV.A	
PATH: DEIMOS\EXPSWIRE			