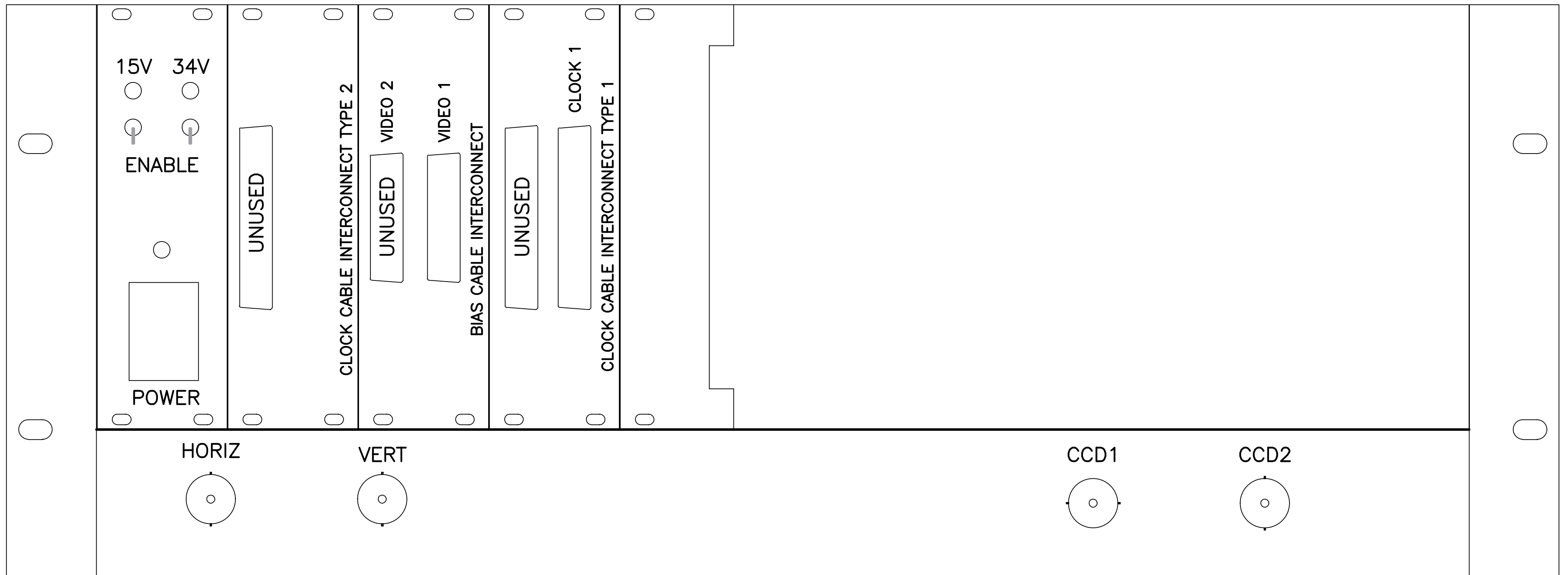


FRONT VIEW

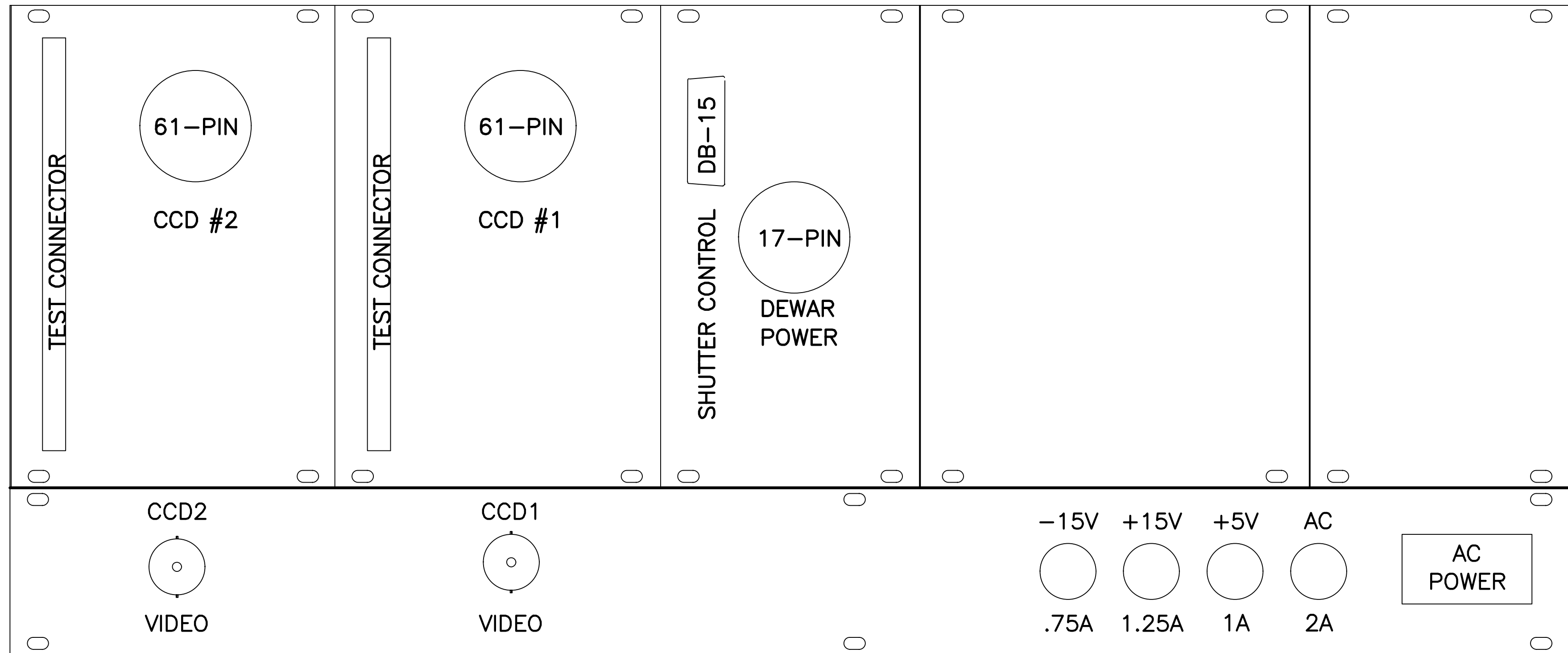


ITEM	QTY	P/N	Desc.
1	4	3651280	12E FRONT PANEL
2	1set	364010	4U MOUNTING FLANGE
3	4	-	INSULATED BNC
4	2	61F1247	SPDT TOGGLE SWITCH
5	1	-	DPDT POWER SWITCH
6	-	-	-
7	-	-	-
8	-	-	-

REVISION

UNIVERSITY OF CALIFORNIA LICK OBSERVATORY	
SDSU 2 CCD CONTROLLER ELECTRONICS BOX LAYOUT	
DWG. NO.	EL-3178-3D
DES'N BY: B. Alcott	ORIGIN DATE: 10/31/97
DRAWN BY:	MODIFY DATE:
PATH: DEIMOS\SDSU2CCD\LAYOUT	SHEET 1 OF 7

REAR VIEW

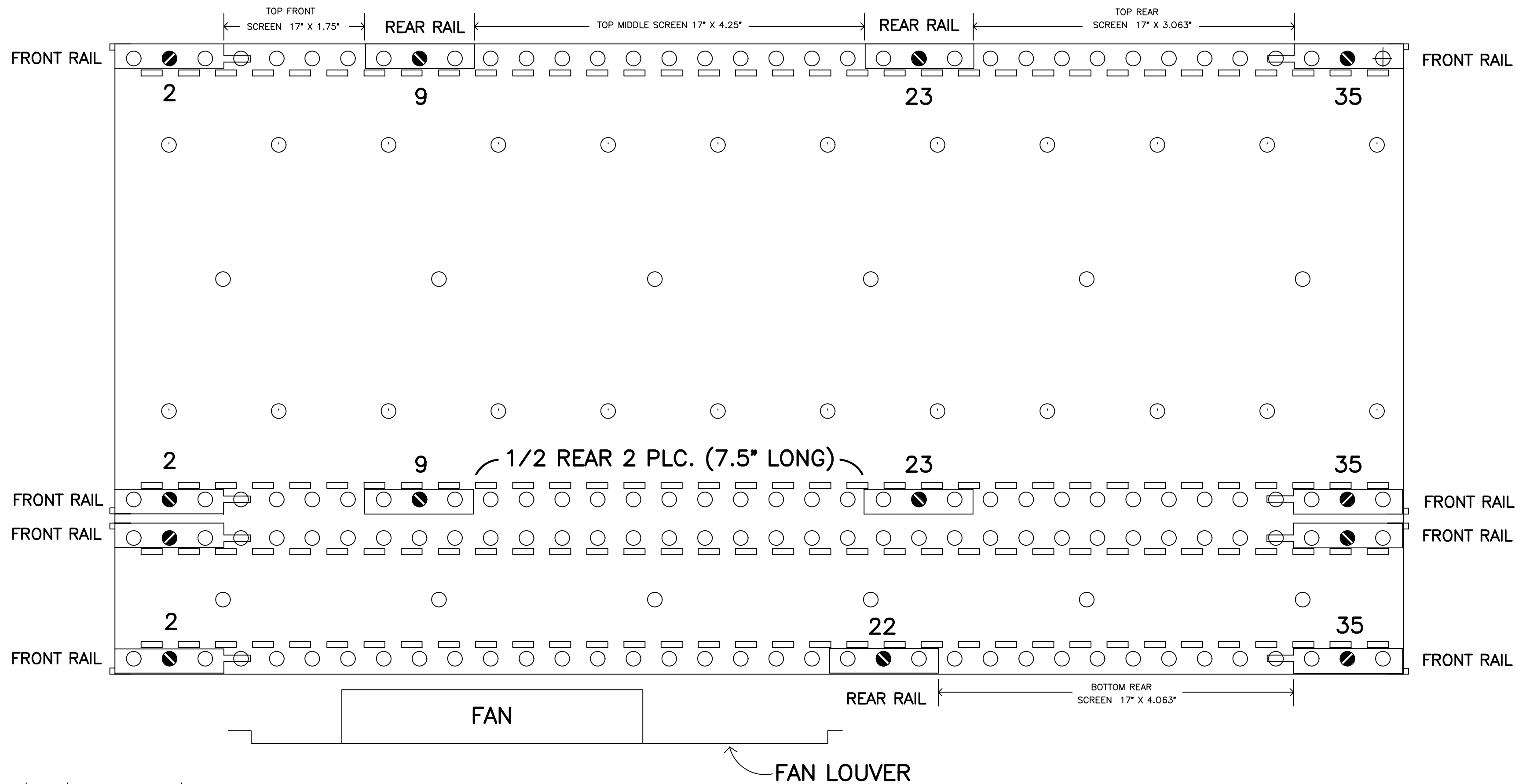


ITEM	QTY	P/N	Desc.
1	3	3651310	21E FRONT PANEL
2	2	3651290	14E FRONT PANEL
3	2	KC 99-54	INSULATED BNC
4	4	-	FUSE HOLDERS
5	1	-	AC POWER FILTER
6	-	-	-
7	-	-	-
8	-	-	-

REVISION

UNIVERSITY OF CALIFORNIA LICK OBSERVATORY	
SDSU 2 CCD CONTROLLER ELECTRONICS BOX LAYOUT	
DWG. NO.	EL-3178-3D
DES'N BY: B. Alcott	ORIGIN DATE: 10/31/97
DRAWN BY:	MODIFY DATE:
PATH: DEIMOS\SDSU2CCD\LAYOUT	SHEET 2 OF 7

RIGHT SIDE

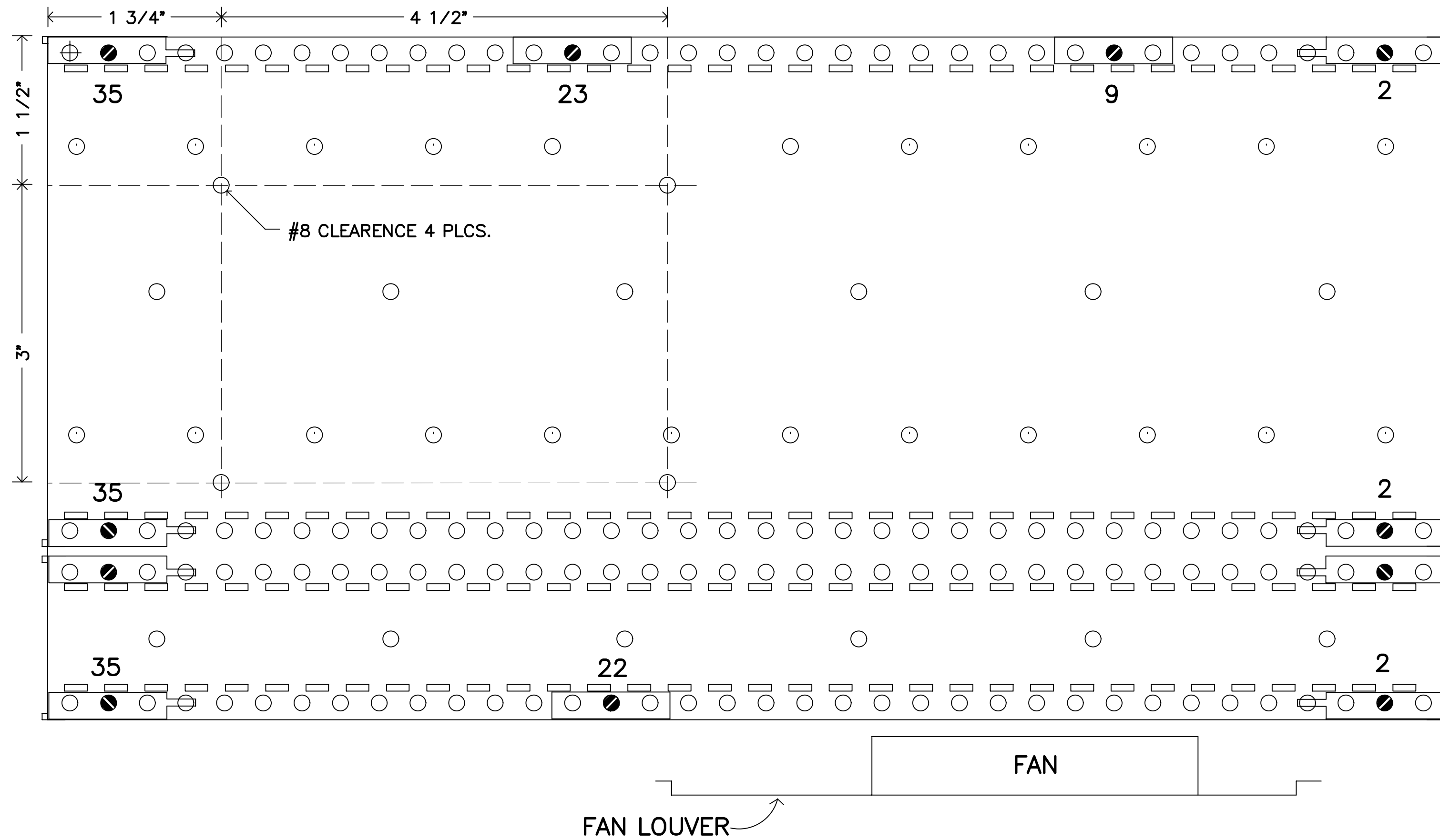


ITEM	QTY	P/N	Desc.
1	1set	3640361	4U VARIOSET
2	3set	3663841	FRONT CROSS RAIL
3	2set	3663741	REAR CROSS RAIL
4	1	3613050	FAN LOUVER
5	1	3613030	FAN MODULE
6	10pk	360483	TAPPED STRIP
7	1pk	360485	INSULATING STRIP
8	2pk	360670	CARD GUIDES
9	2pk	360675	CARD GUIDE HEADS
10	1pk	363601	4U SUBRACK HANDLES
11	1	50F5407	12V DC FAN

REVISION

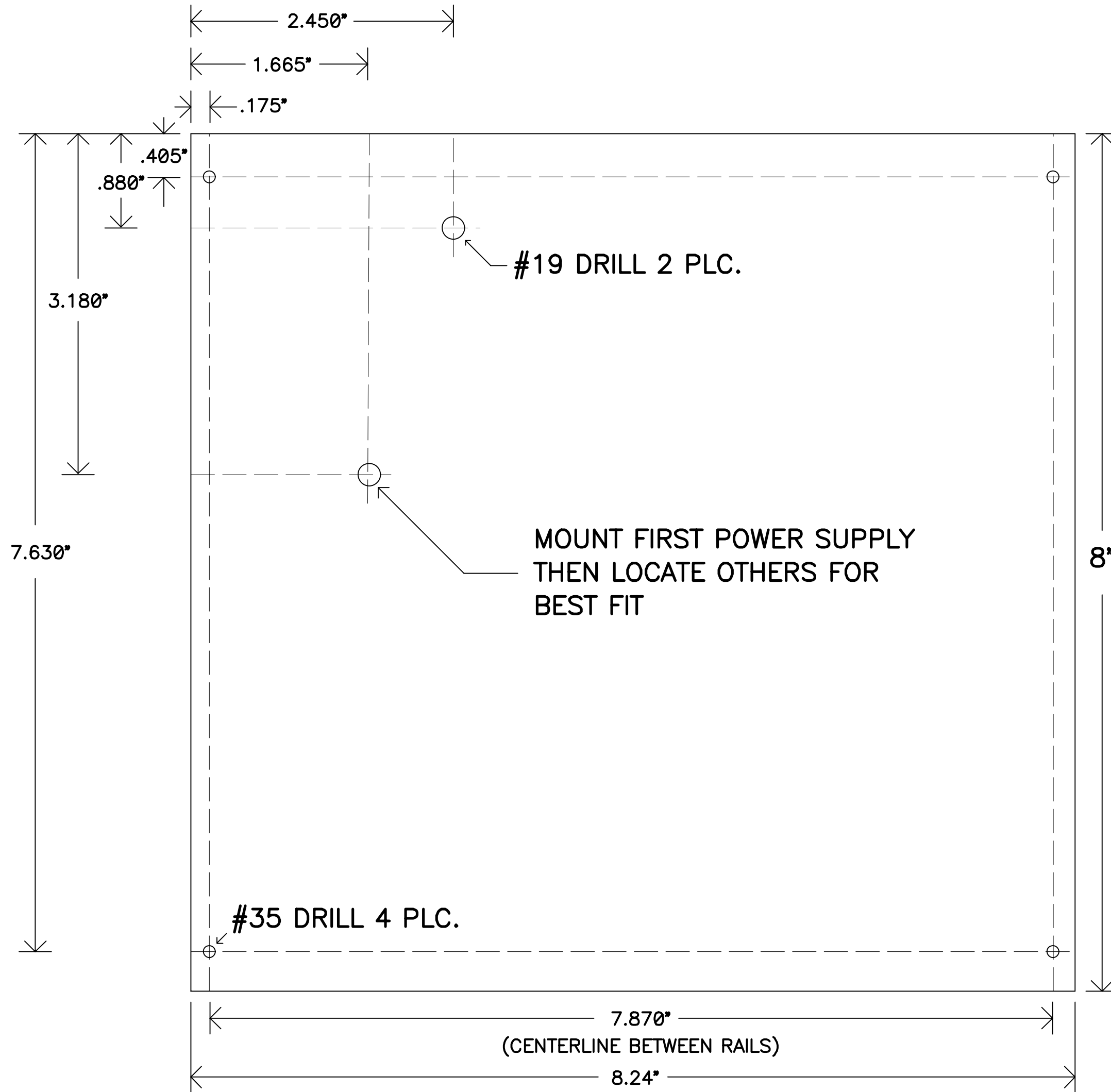
UNIVERSITY OF CALIFORNIA LICK OBSERVATORY	
SDSU 2 CCD CONTROLLER ELECTRONICS BOX LAYOUT	
DWG. NO.	EL-3178-3D
DES'N BY: B. Alcott	ORIGIN DATE: 10/31/97
DRAWN BY:	MODIFY DATE:
PATH: DEIMOS\SDSU2CCD\LAYOUT	SHEET 3 OF 7

LEFT SIDE

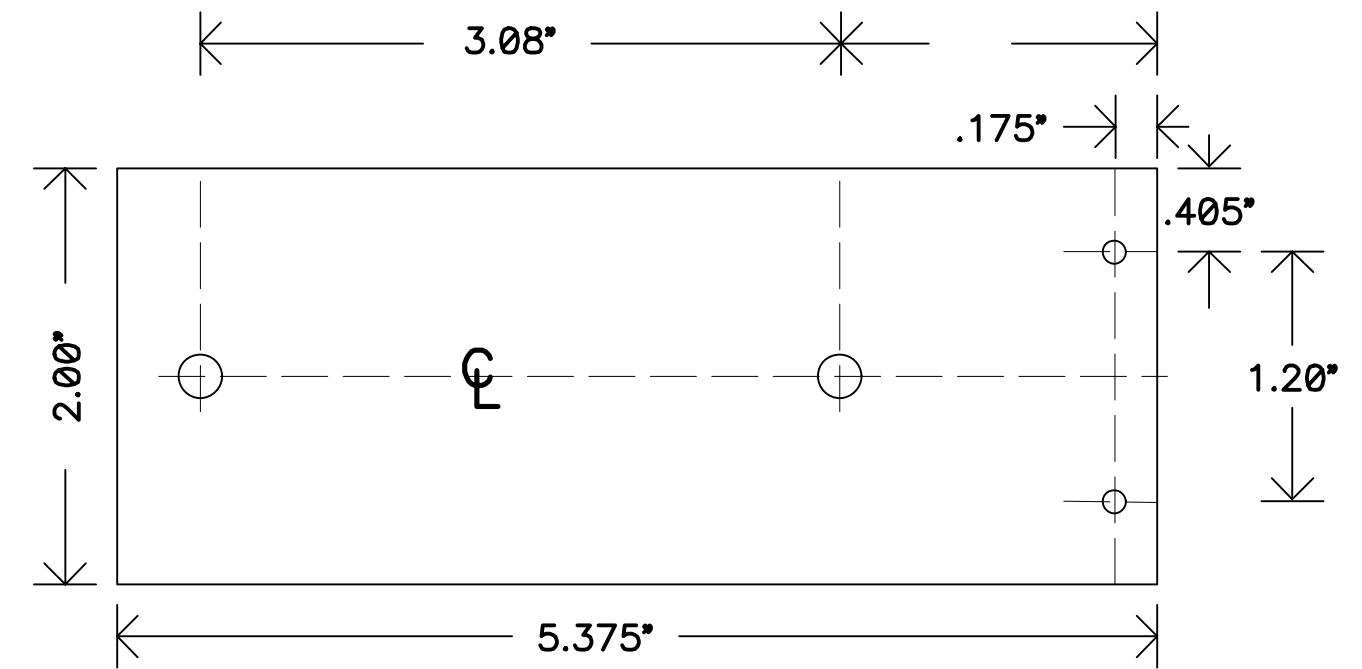


UNIVERSITY OF CALIFORNIA LICK OBSERVATORY	
SDSU 2 CCD CONTROLLER ELECTRONICS BOX LAYOUT	
DWG. NO.	EL-3178-3D
DES'N BY: B. Alcott	ORIGIN DATE: 10/31/97
DRAWN BY:	MODIFY DATE:
PATH: DEIMOS\SDSU2CCD\LAYOUT	SHEET 4 OF 7

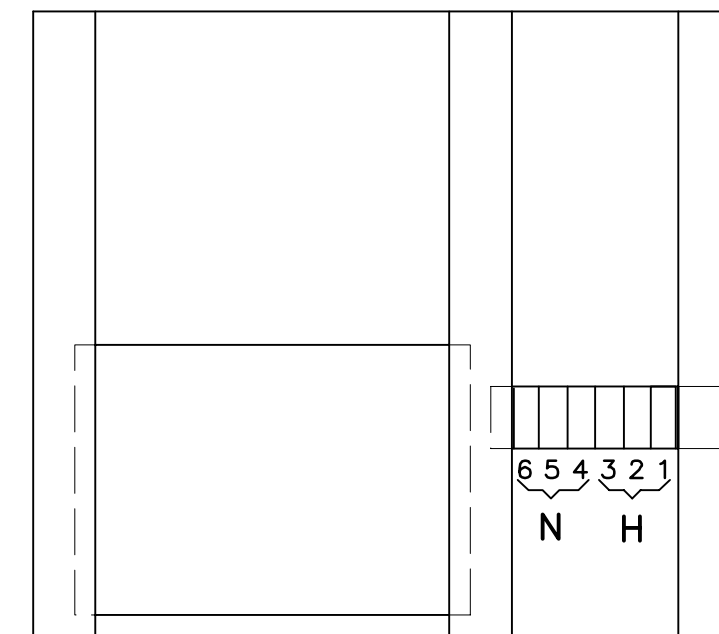
REVISION



POWER SUPPLY MTG PLATE



AC TERM. STRIP MTG PLATE

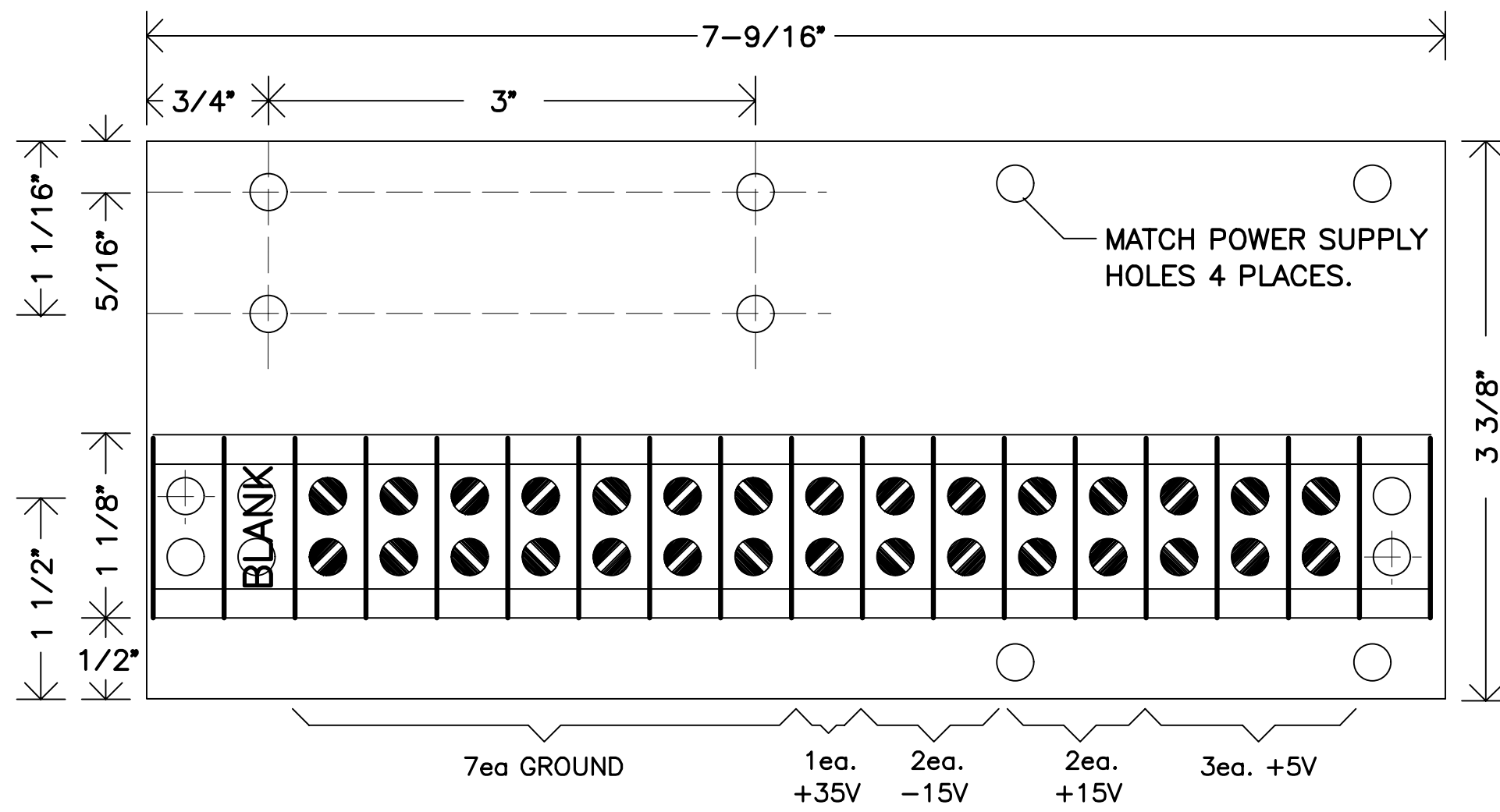


BOTTOM VIEW
FOR PLACEMENT

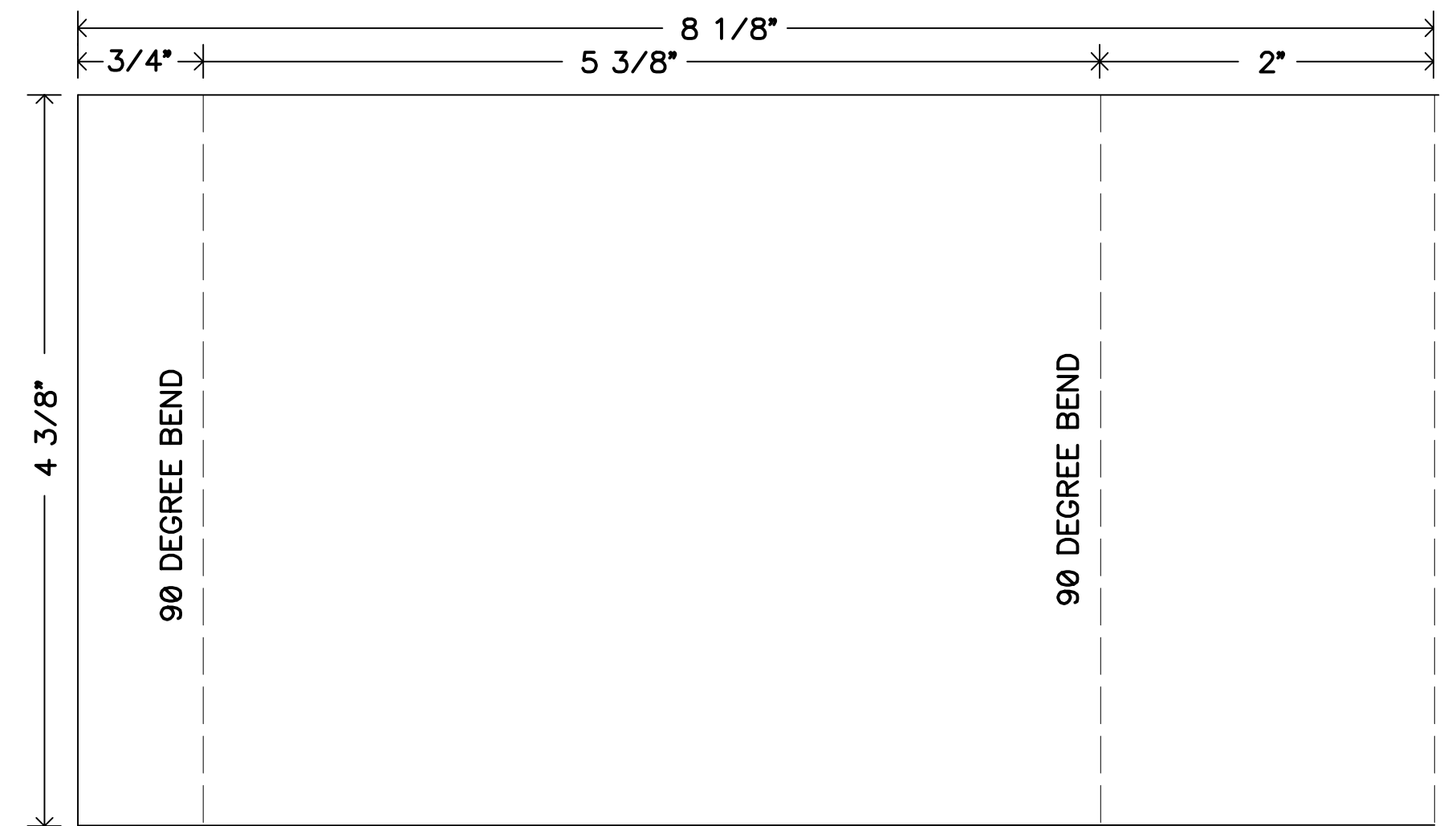
REVISION

UNIVERSITY OF CALIFORNIA LICK OBSERVATORY	
SDSU 2 CCD CONTROLLER ELECTRONICS BOX LAYOUT	
DWG. NO.	EL-3178-3D
DES'N BY: B. Alcott	ORIGIN DATE: 10/31/97
DRAWN BY:	MODIFY DATE:
PATH: DEIMOS\SDSU2CCD\LAYOUT	SHEET 5 OF 7

DC TERMINAL STRIP PLATE 1/8" ALUM.



POWER MONITOR MOUNTING PLATE



POWER SUPPLY FRONT SHIELD

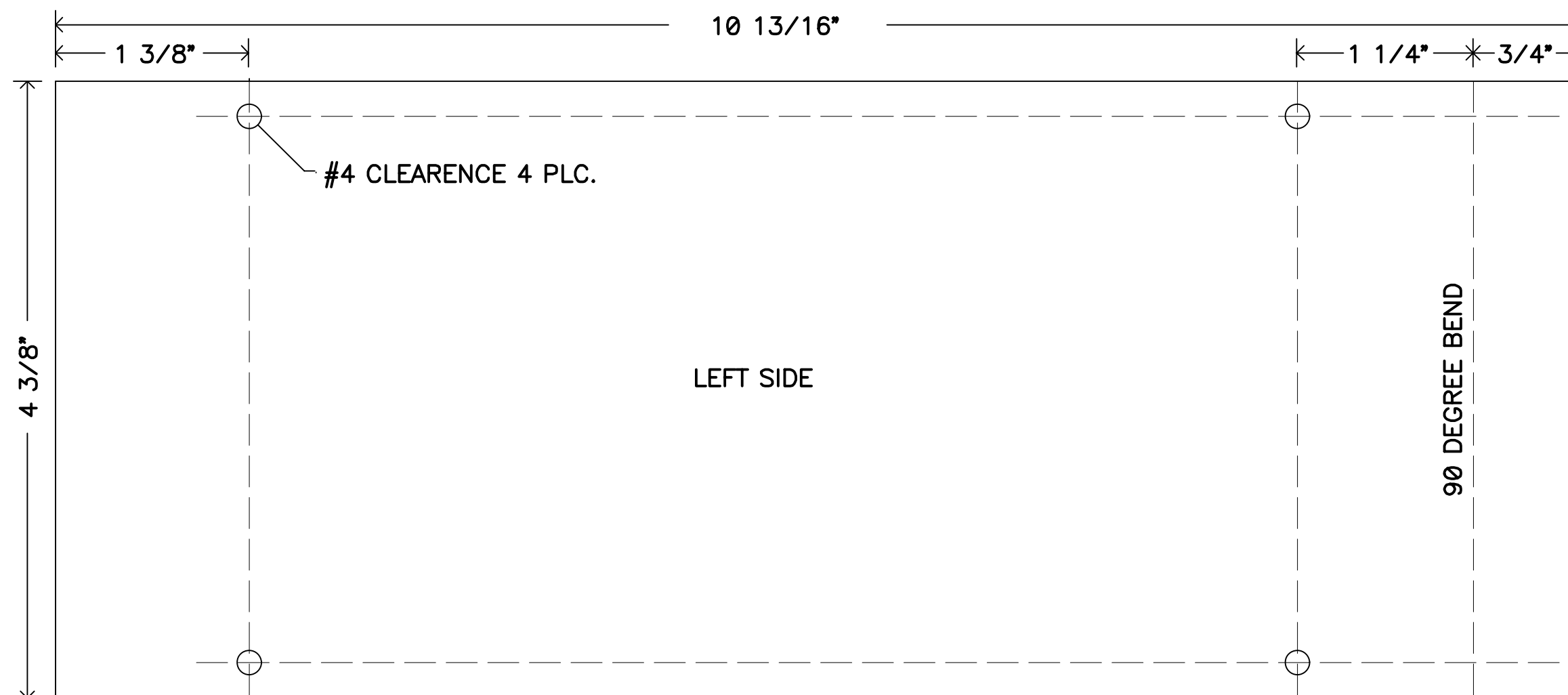
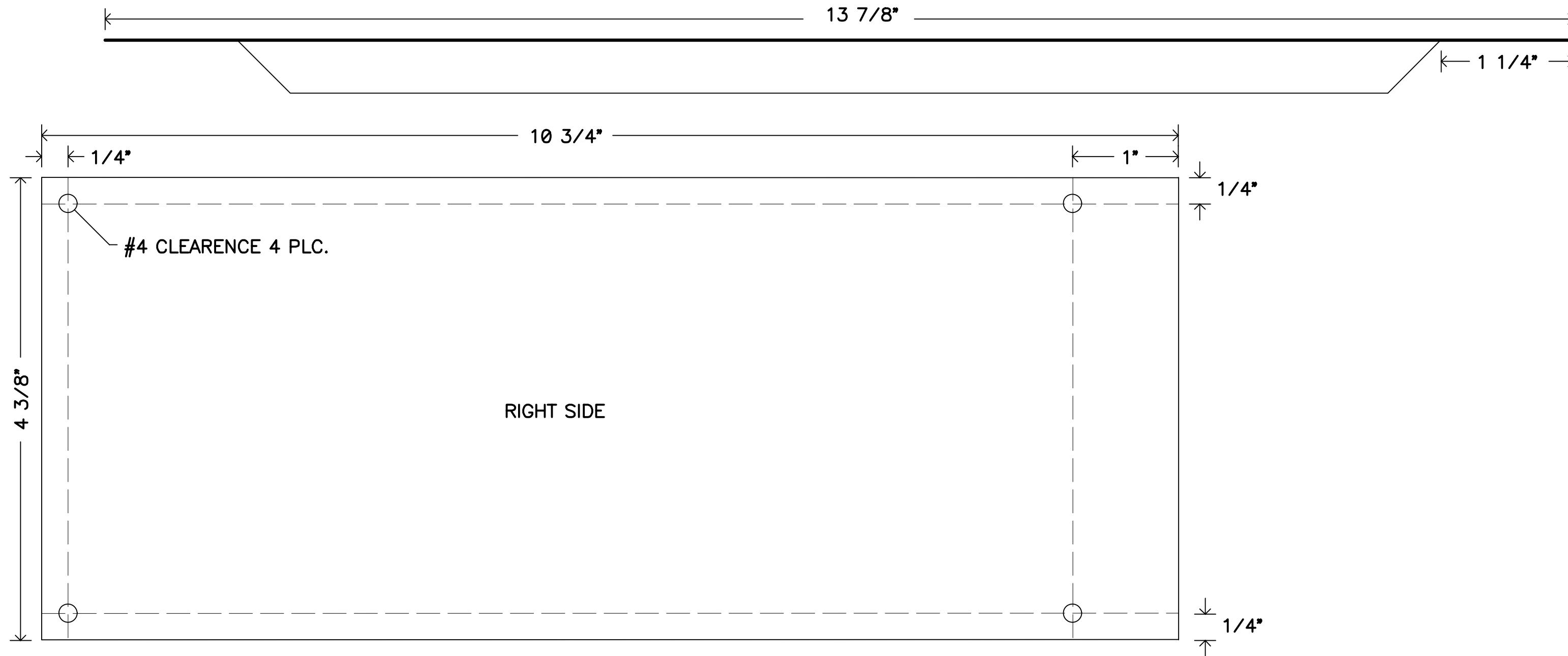


ITEM	QTY	P/N	Desc.
1	15	1-604102-1	FLEXI-BLOCK TERMINAL
2	-	-	-
3	-	-	-
4	-	-	-
5	-	-	-
6	-	-	-
7	-	-	-
8	-	-	-

REVISION

UNIVERSITY OF CALIFORNIA LICK OBSERVATORY	
SDSU 2 CCD CONTROLLER ELECTRONICS BOX LAYOUT	
DWG. NO.	EL-3178-3D
DES'N BY: B. Alcott	ORIGIN DATE: 10/31/97
DRAWN BY:	MODIFY DATE: 04/08/98
PATH: DEIMOS\SDSU2CCD\LAYOUT	SHEET 6 OF 7

CABLE TUNNEL/SHIELD



REVISION

UNIVERSITY OF CALIFORNIA LICK OBSERVATORY	
SDSU 2 CCD CONTROLLER ELECTRONICS BOX LAYOUT	
DWG. NO.	EL-3178-3D
DES'N BY: B. Alcott	ORIGIN DATE: 10/31/97
DRAWN BY:	MODIFY DATE:
PATH: DEIMOS\SDSU2CCD\LAYOUT	SHEET 7 OF 7

REV A