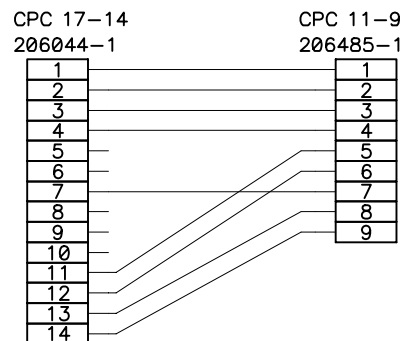
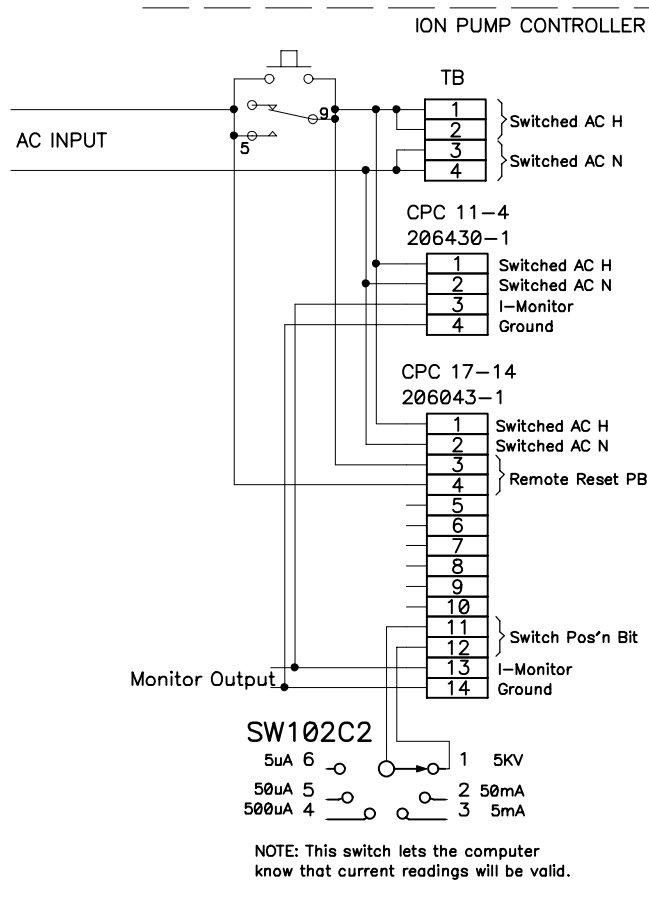
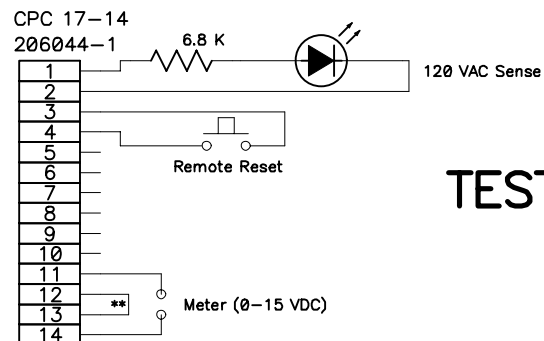


Use one CPC connector or the other, not both.
(if a shield ground is needed, use pin 7)

UNIVERSITY OF CALIFORNIA LICK OBSERVATORY		VARIAN ION PUMP CONTROLLER OVERLOAD PROTECTION				
		REVISION	DES'N BY: T Cantrall	ORIGIN DATE: 07-09-98	DWG. NO.	NUM. 1 OF 2
12-18-98 ENTERED INTO PCAD14 03-27-00 ADDED SECOND SHEET FOR TEST PLUG AND CABLE tc		Last SN:	MODIFY DATE: 12-21-98	EL-1027B-1S		
PATH: \DESIGNS\DEWAR\IONPUMPCONT\EL-1027B		REV. A				



DEIMOS TEST CABLE



TEST PLUG

** Jumpering pins 12 and 13 tests the rotary switch function without the need to add an LED and external voltage source. It also simulates the need to have the switch in the 5KV position to enable the CCD controller to read the current monitor.

**UNIVERSITY OF CALIFORNIA
 LICK OBSERVATORY**

VARIAN ION PUMP CONTROLLER
 OVERLOAD PROTECTION

REVISION

DES'N BY: T Cantrall

ORIGIN DATE: 07-09-98

DWG. NO.

NUM. 2 OF 2

Last SN:

MODIFY DATE: 03-27-00

PATH: \DEWAR\IONPUMPCONT\EL-1027B

REV. A

EL-1027B-1S