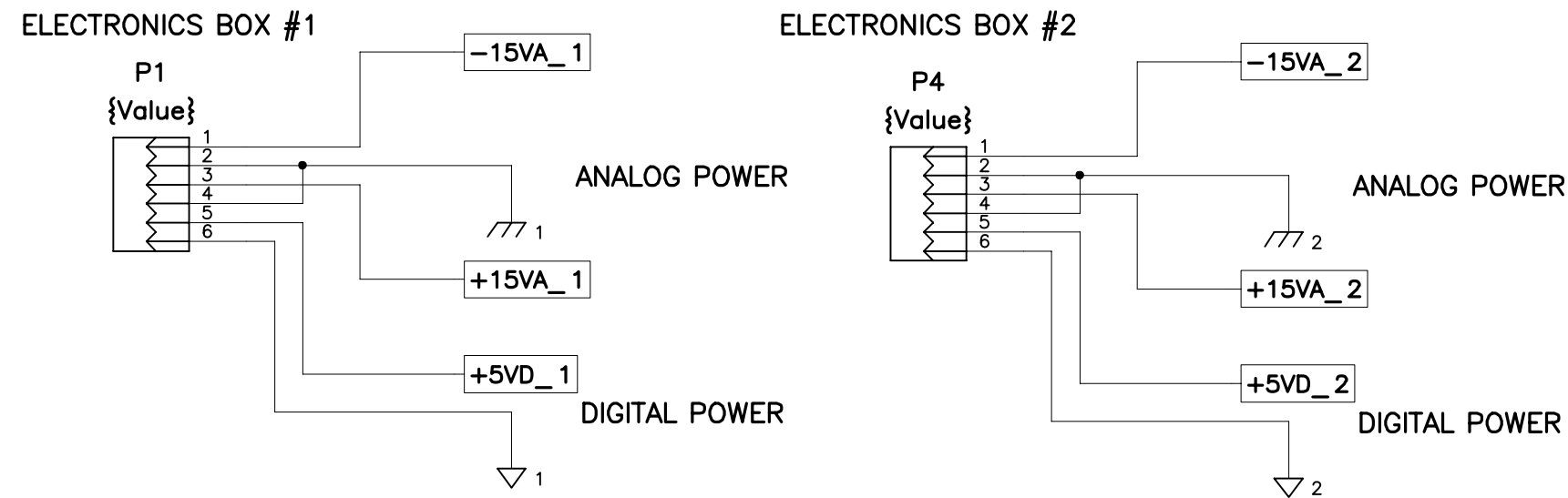
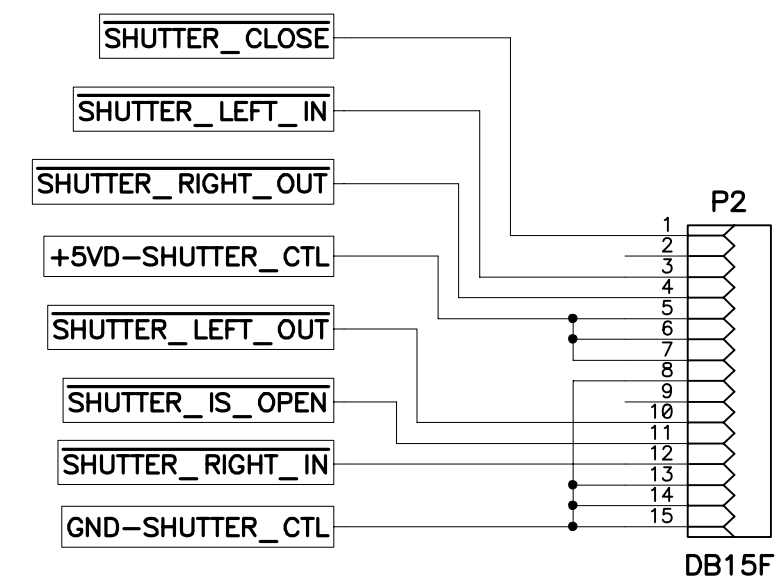


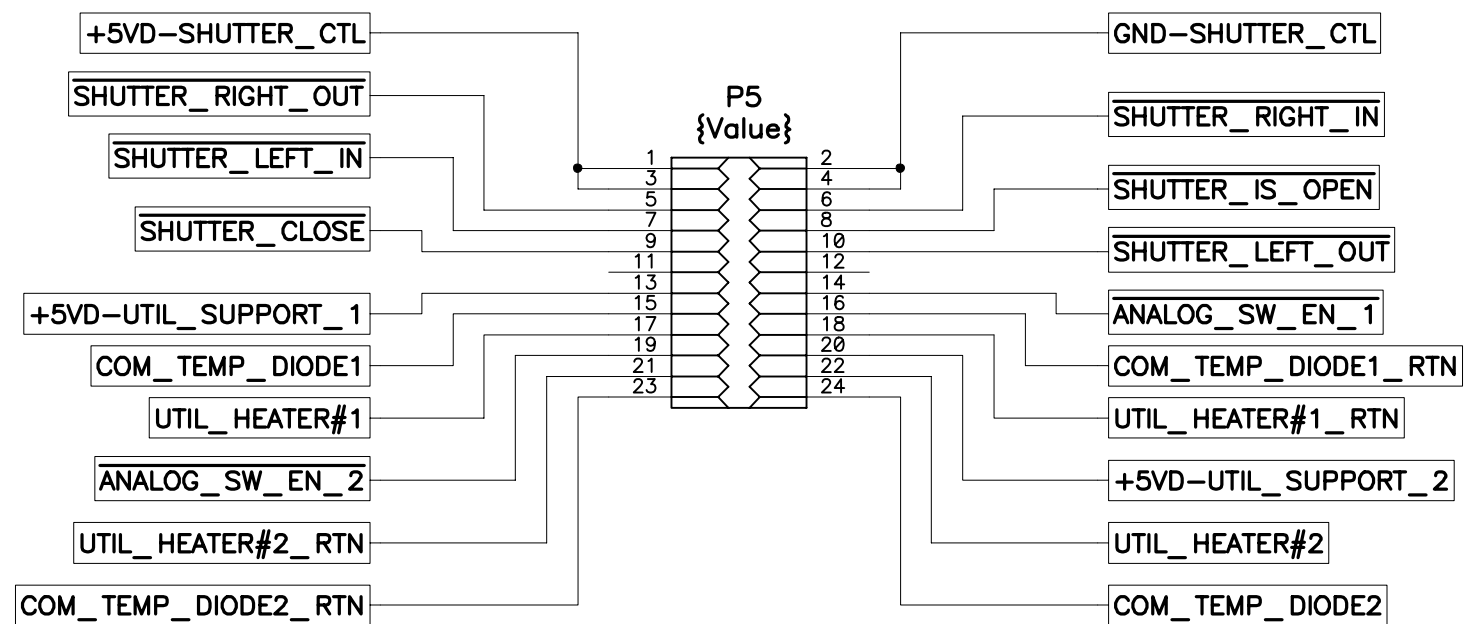
INPUT POWER FROM LINEAR SUPPLIES



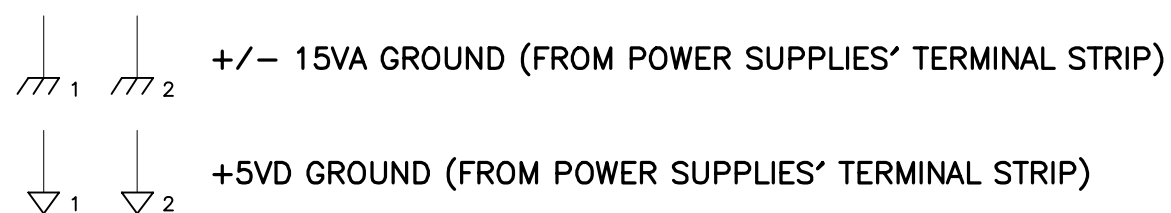
OUTPUT CONNECTOR TO SHUTTER CONTROLLER



FROM UTILITY SUPPORT BOARD



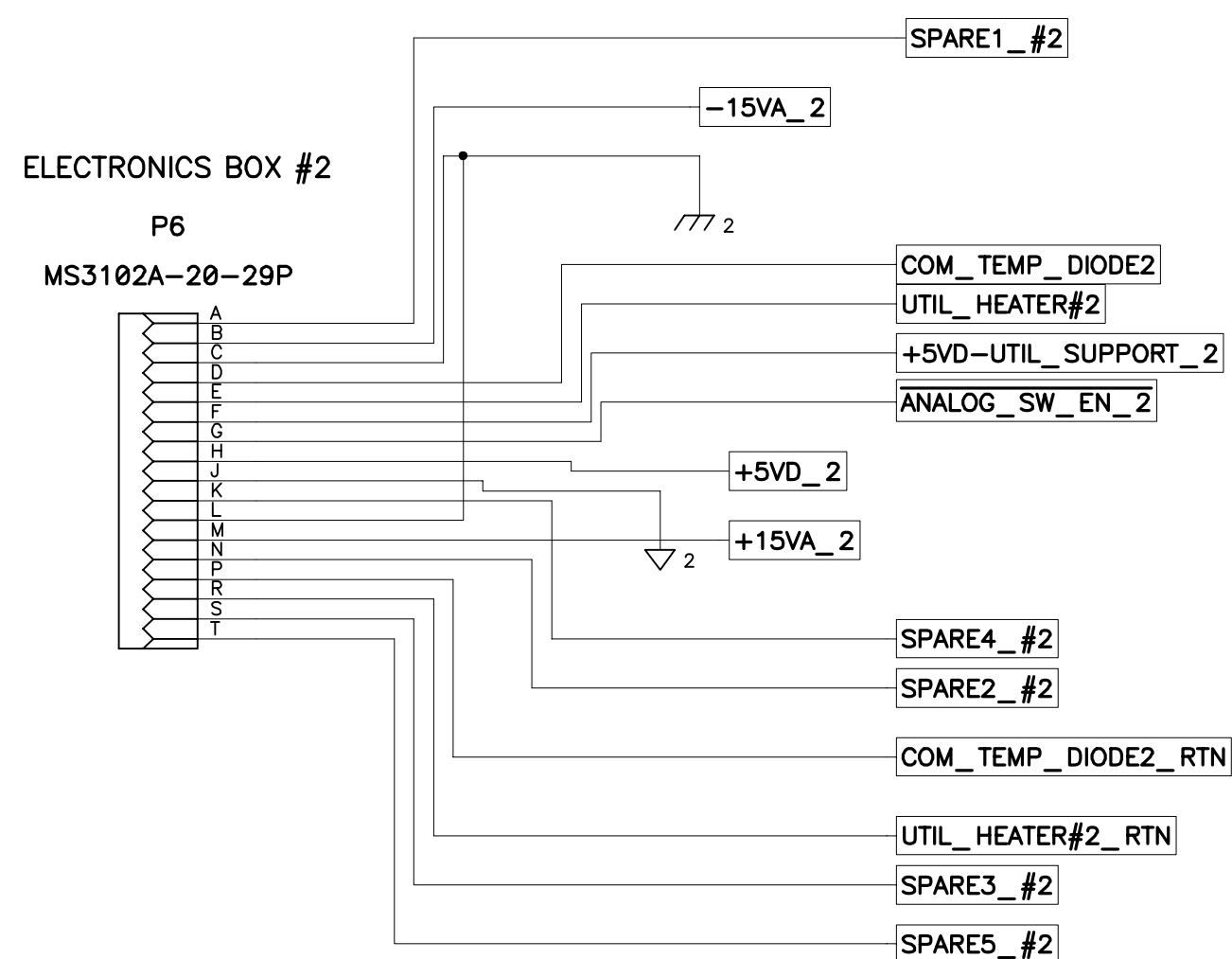
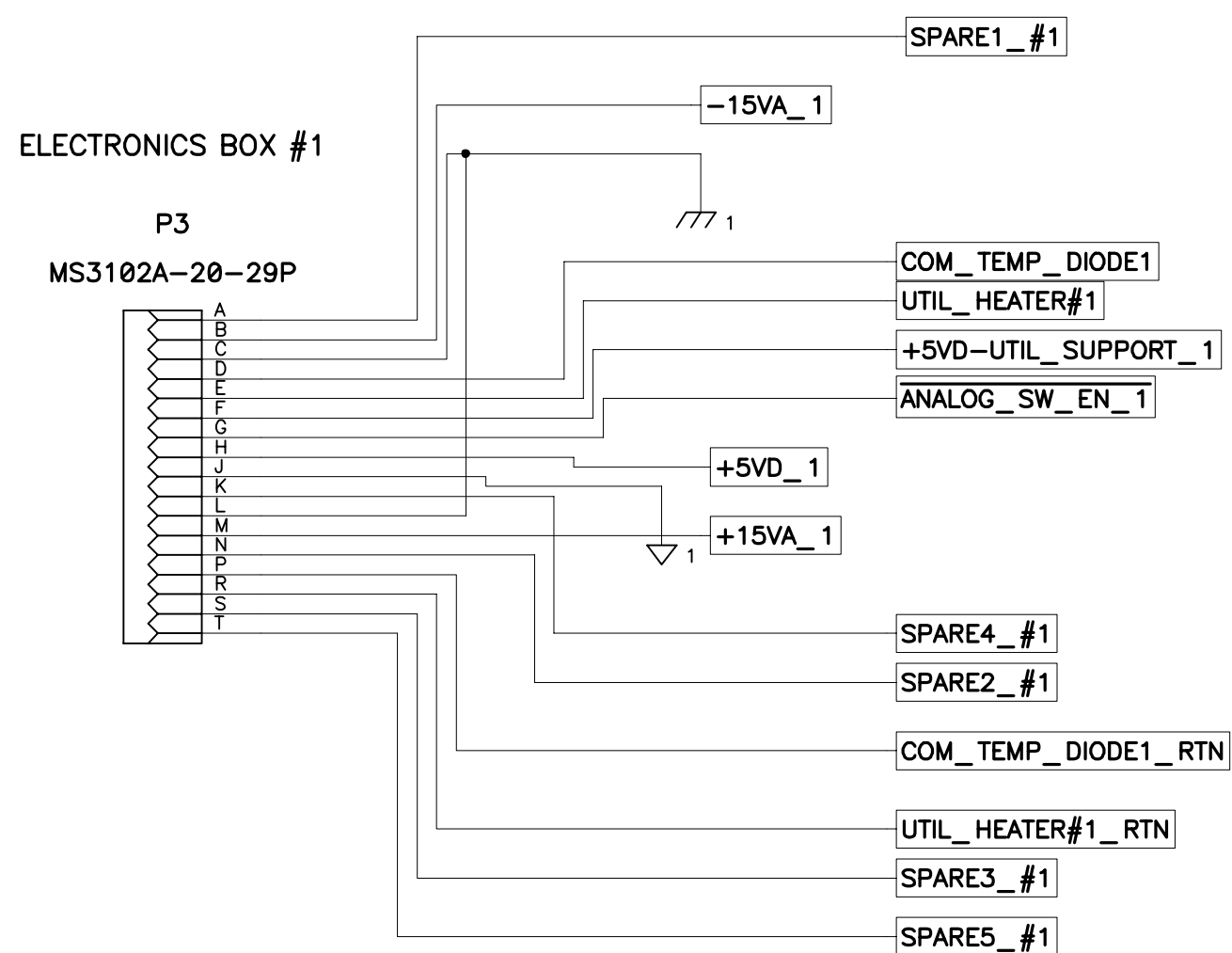
NOTE: THE FOLLOWING GROUND SYMBOLS ARE USED:



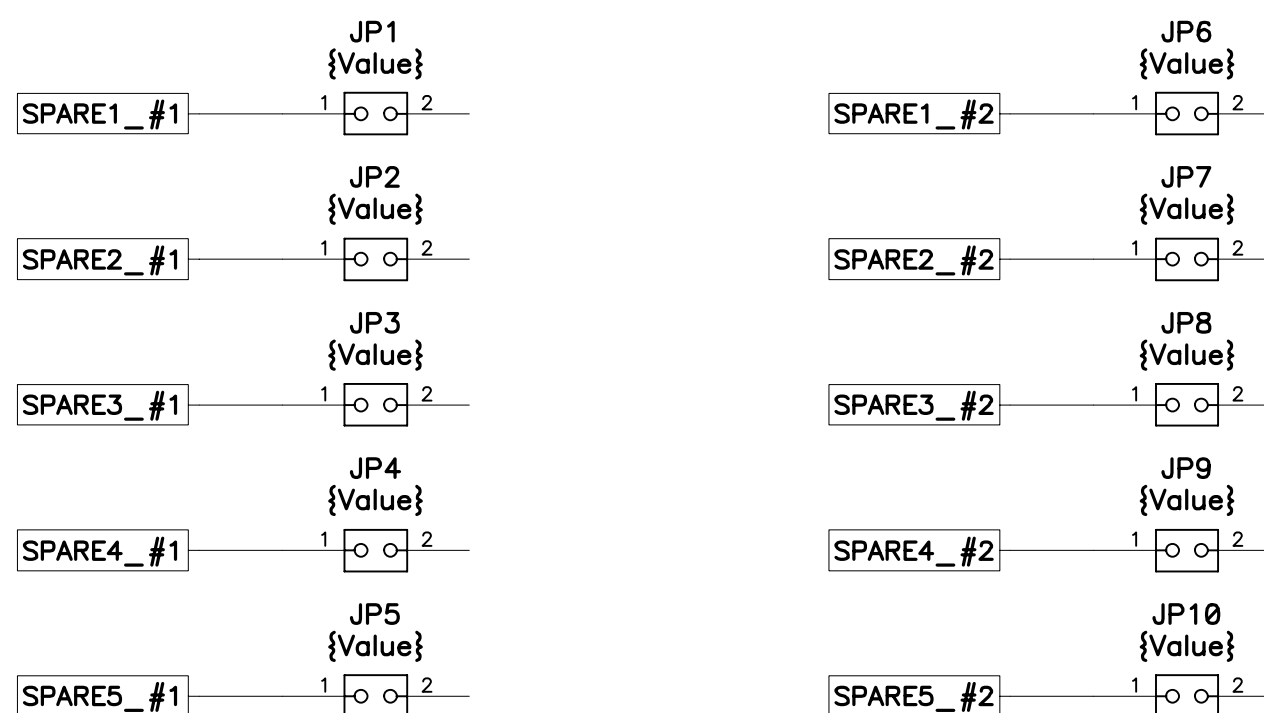
REVISION

UNIVERSITY OF CALIFORNIA LICK OBSERVATORY	
POWER & MISCELLANEOUS SIGNAL INTERCONNECT	
DWG. NO.	EL-3195
DES'N BY: Chris Wright	ORIGIN DATE: APRIL 17, 1998
DRAWN BY:	MODIFY DATE:
PATH: sdsuccd2\boards\el3195\pwrconn.sch	SHEET 1 OF 2

OUTPUT POWER CONNECTORS
TO ELECTRONICS BOXES



OUTPUT SPARE LINES' JUMPERS



UNIVERSITY OF CALIFORNIA LICK OBSERVATORY	
POWER & MISCELLANEOUS SIGNAL INTERCONNECT	
DWG. NO.	EL-3195
DES'N BY: Chris Wright	ORIGIN DATE: APRIL 17, 1998
DRAWN BY:	MODIFY DATE:
PATH: sdsuccd2\boards\el3195\pwrconn.sch	SHEET 2 OF 2

REVISION