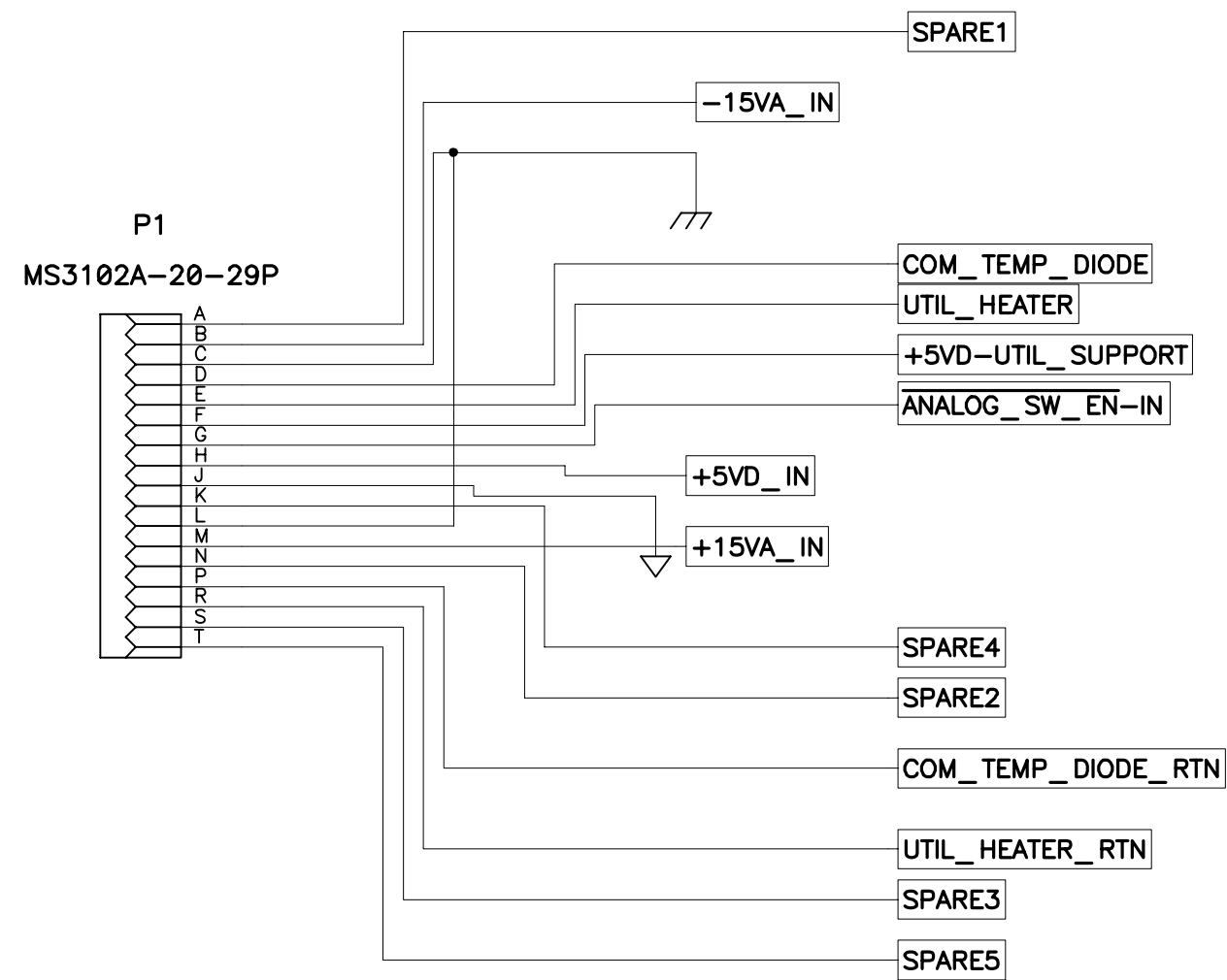
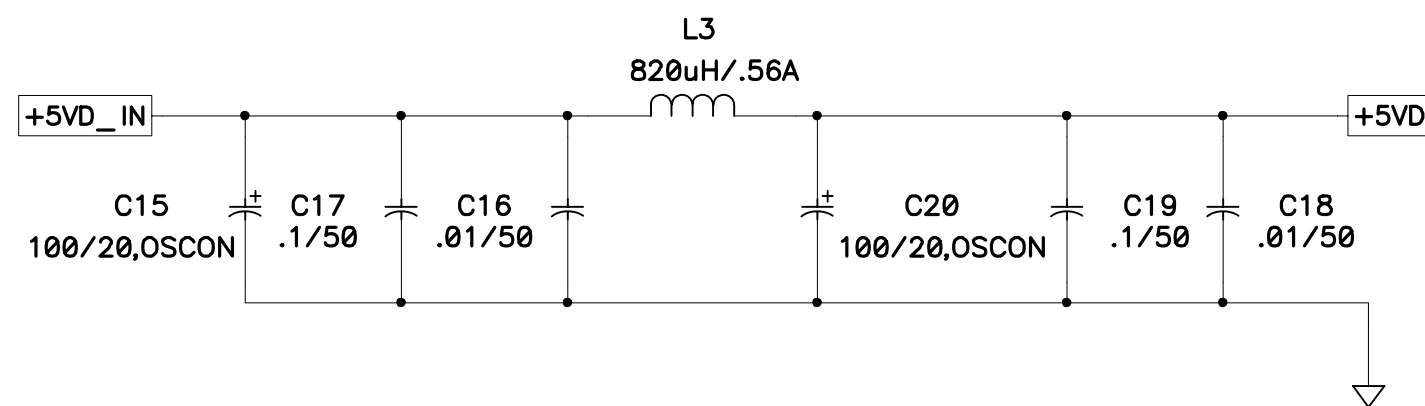


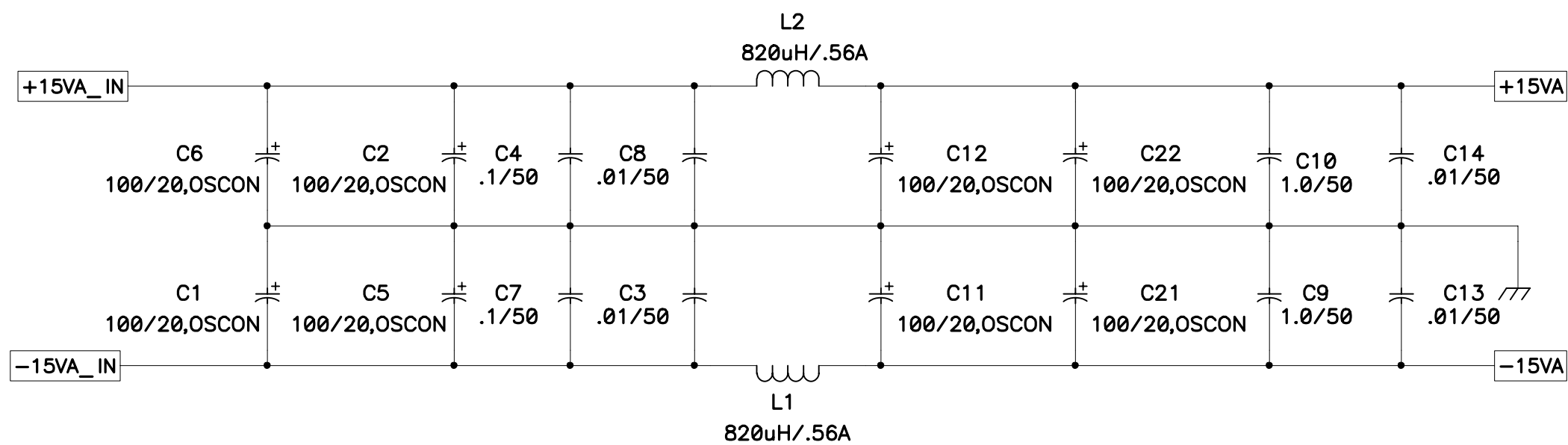
17-PIN PANEL MOUNT  
INPUT CONNECTOR



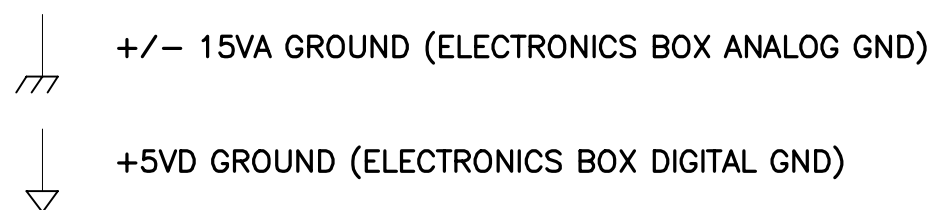
FILTERED DIGITAL POWER



FILTERED ANALOG POWER



NOTE: THE FOLLOWING GROUND SYMBOLS ARE USED:

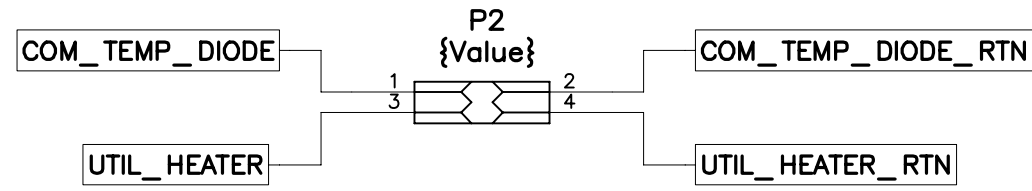


REVISION

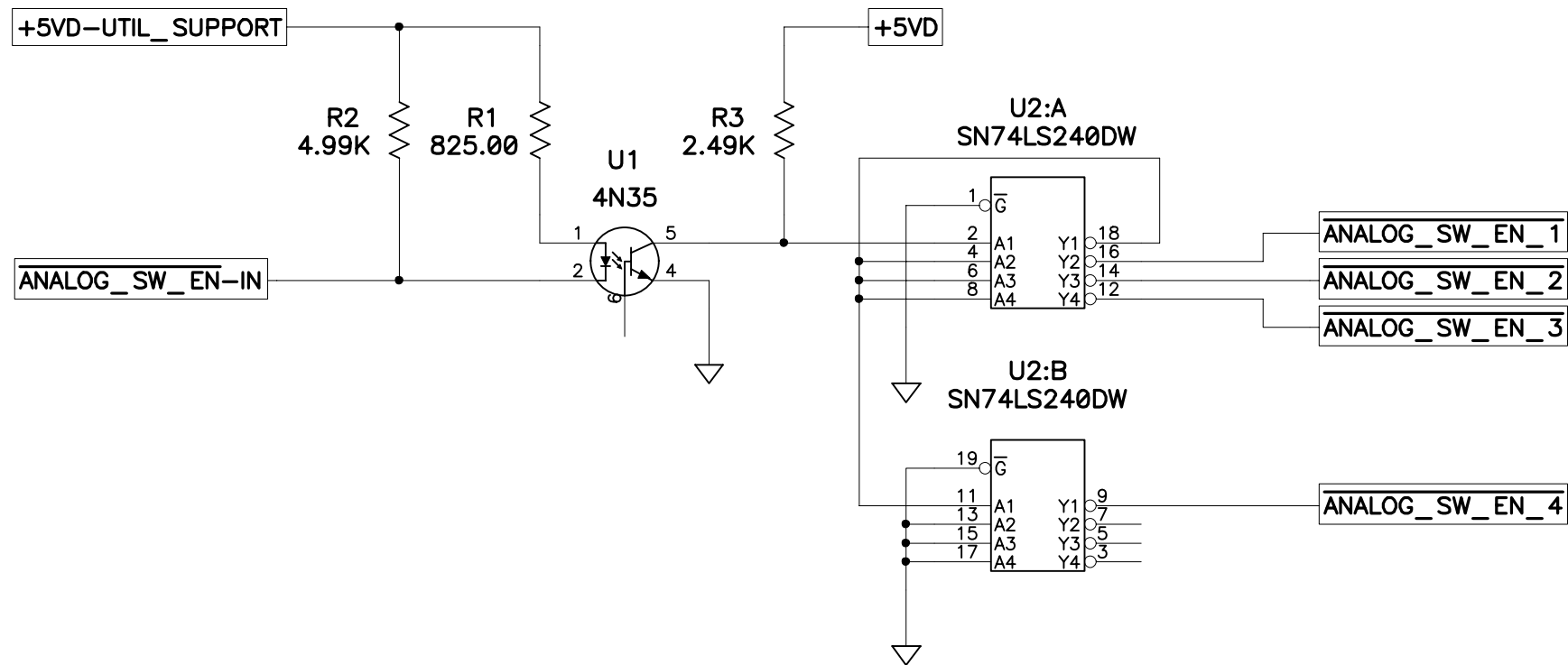
UNIVERSITY OF CALIFORNIA LICK OBSERVATORY	
17-PIN CONNECTOR/POWER FILTER	
DWG. NO.	EL-3191
DES'N BY: Chris Wright	ORIGIN DATE: JUNE 30, 1997
DRAWN BY:	MODIFY DATE: AUGUST 4, 1997
PATH: sdsuccd2\boards\el3191\pwrfilt.sch	SHEET 1 OF 2

REV A

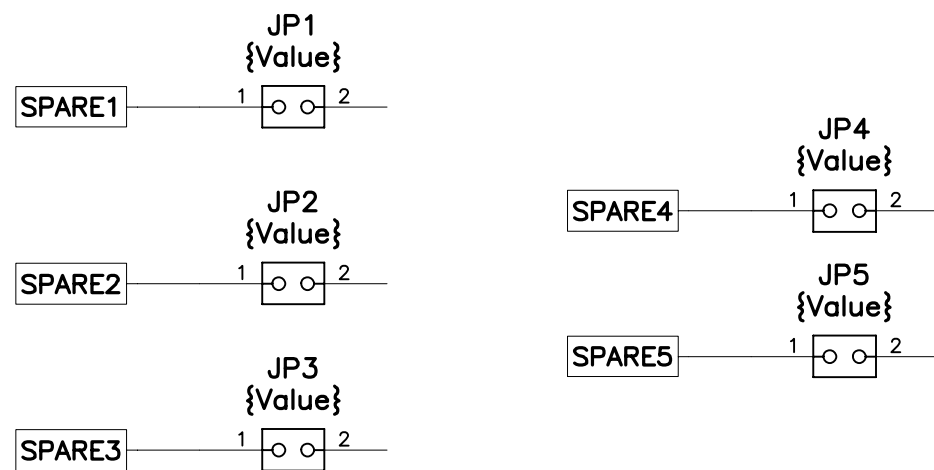
OUTPUT SIGNAL CONNECTOR  
(TO A 61-PIN HERMETIC CONNECTOR, ON DETECTOR VESSEL WALL)



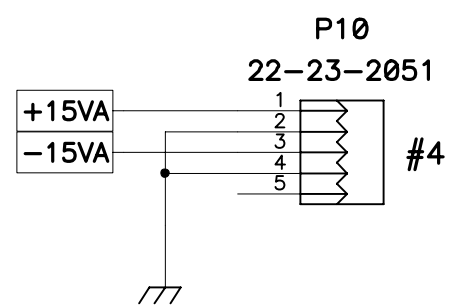
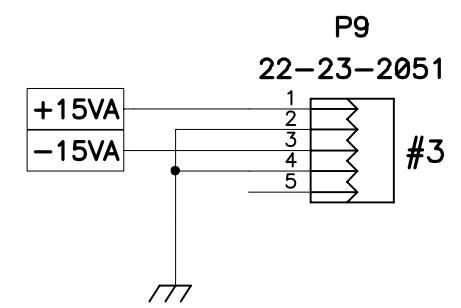
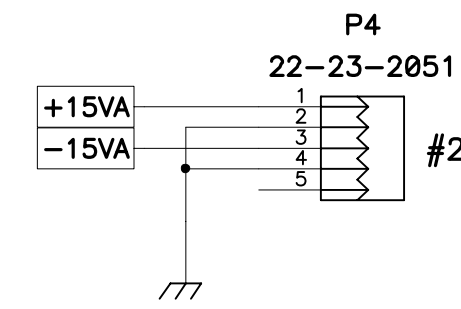
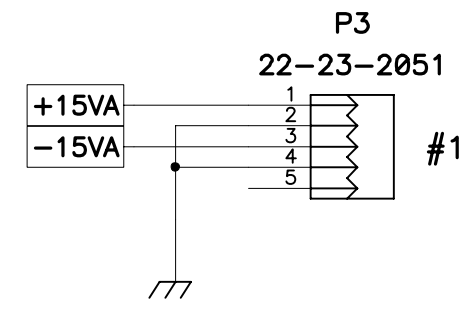
BUFFERED SWITCH ENABLE



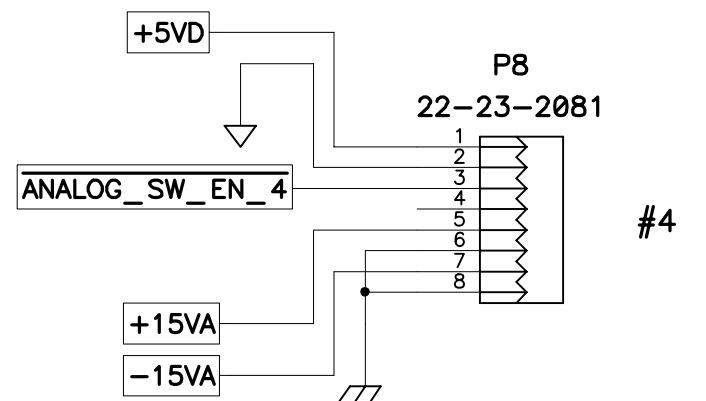
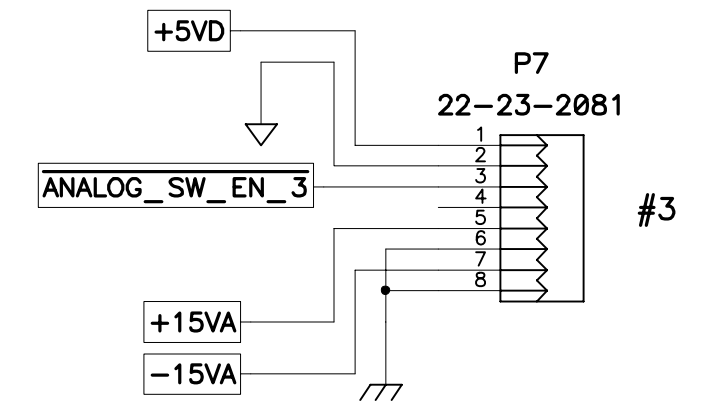
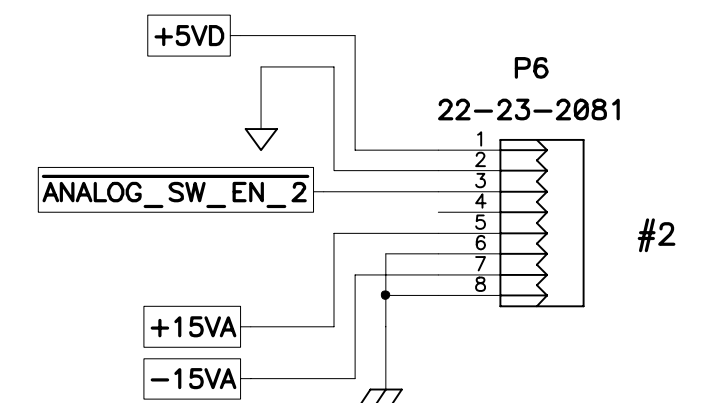
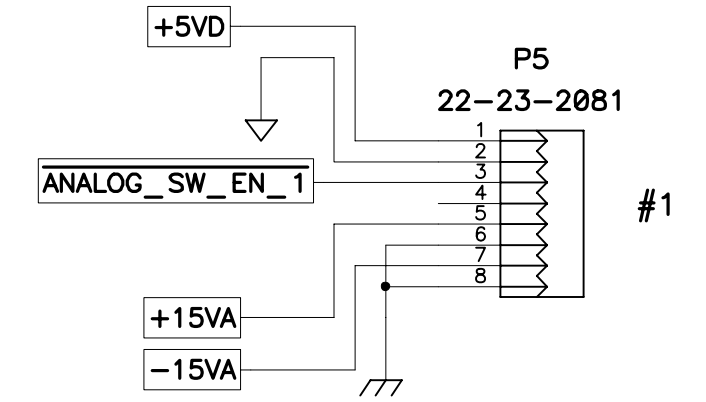
INPUT SPARES' JUMPERS



OUTPUT POWER  
(TO PRE-AMPLIFIER BOARDS)



OUTPUT POWER  
(TO ANALOG SWITCH BOARDS)



UNIVERSITY OF CALIFORNIA LICK OBSERVATORY

17-PIN CONNECTOR/POWER FILTER

DWG. NO. EL-3191 REV A

DES'N BY: Chris Wright ORIGIN DATE: JUNE 30, 1997

DRAWN BY: MODIFY DATE: AUGUST 4, 1997

PATH: sdsuccd2\boards\el3191\pwrfilt.sch SHEET 2 OF 2

REVISION