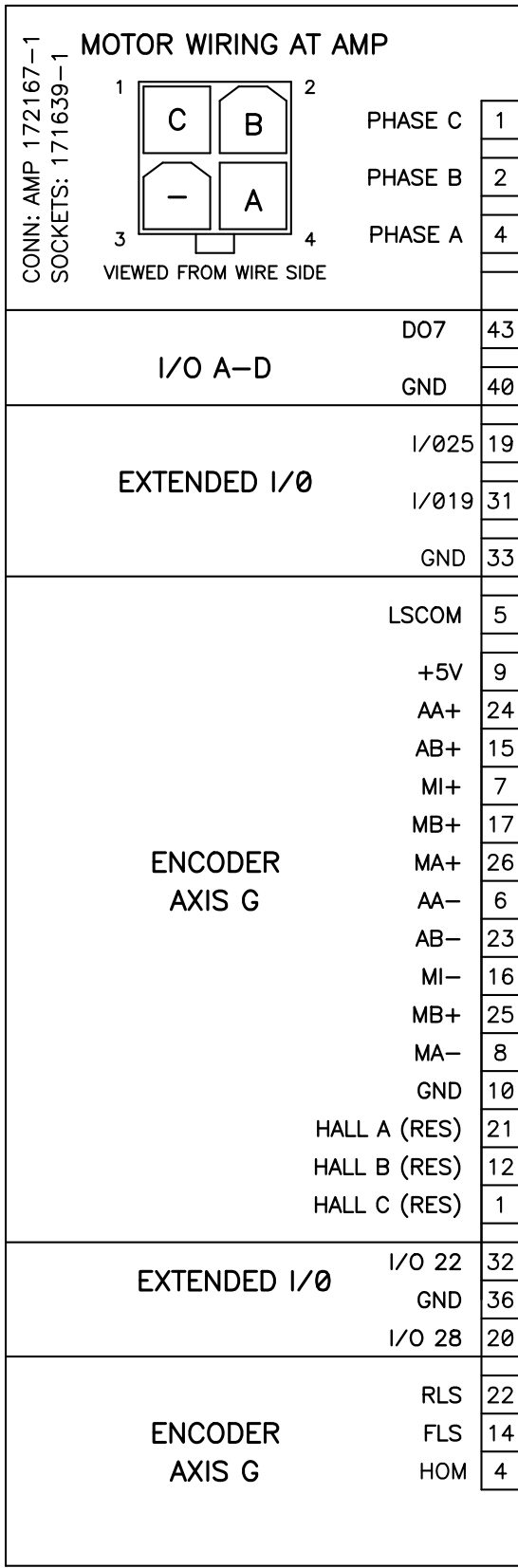


GALIL DMC-4080



ELECTRONICS RACK

DB9S DB9P

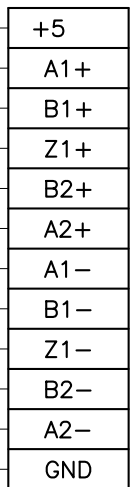
CABLE RUN

DB9S DB9P

DB26S DB26S

DB26S DB26S

ENCODERS/INDEX



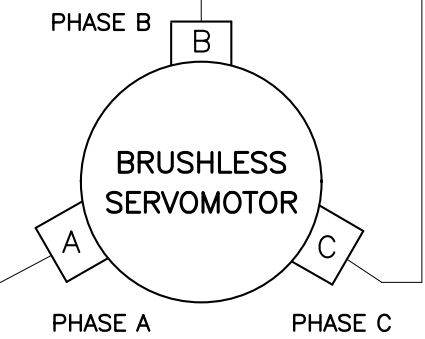
OPTICS BENCH

MOTOR PHASE "C"

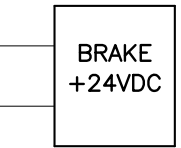
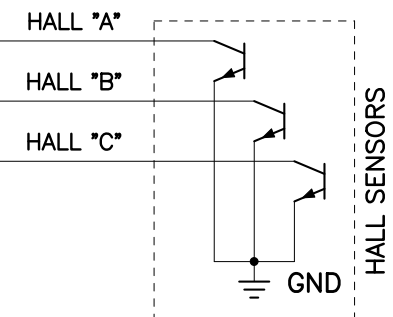
MOTOR PHASE "B"

MOTOR PHASE "A"

AXIS 1G



WFS LENSLET SELECT
GRIFFIN
MOTORIZED STAGE



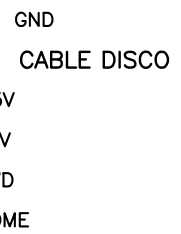
2ND. LIMITS

DPDT NC

CABLE DISCO

GND

CABLE DISCO



STAGE LIMIT
BOARD EL-3593

UNIVERSITY OF CALIFORNIA
OBSERVATORIES

SHANE AO
WAVE FRONT SENSOR STAGE
LENSLET STAGE WIRING

REVISIONS

- 10-03-12 ADDED DETAILS
- 11-05-12 ADDED MOTOR SPECS
- 05-16-13 UPDATED FROM REDLINE

http://loel.ucolick.org/manual/AOup/schematics/SAO_wfs_sh_6.pdf

DES'N BY: M.L.SAYLOR	ORIGIN DATE: 10-02-12	DWG. NO.	NUM. 6 OF 6
Last SN	MODIFY DATE: 05-16-13	EL-3819	REV. A
PRINT TIME: 15:43:20	PRINT DATE: Fri May 16, 2014		SAO_wfs_.sch
PATH: SAO/			