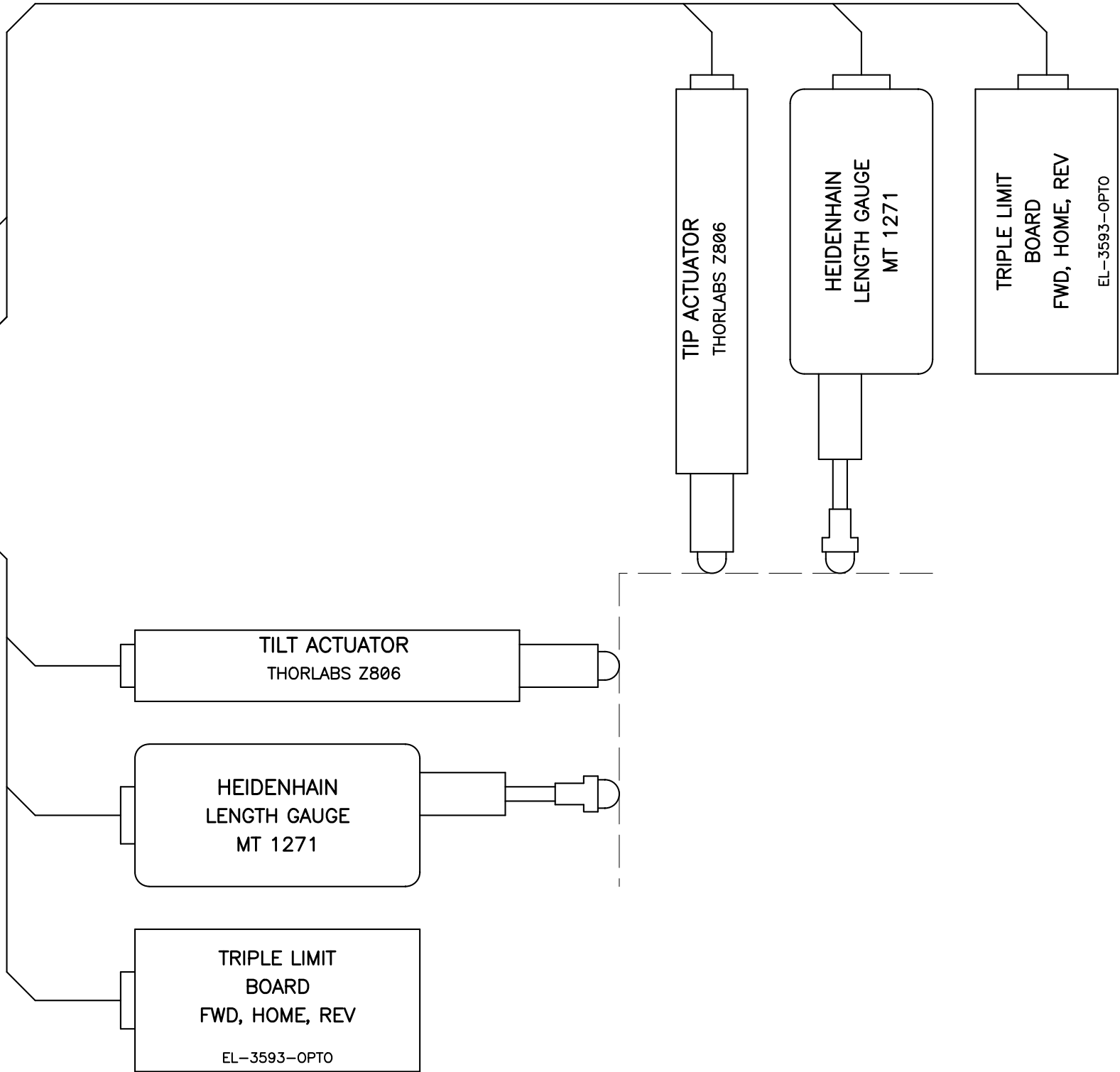


LOCIC SUPPLY
LAMBDA SWS100-5

GALIL DMC-4080
MOTION CONTROLLER
#2

AXIS-C
WFSFS1RX

AXIS-D
WFSFS1RY



UNIVERSITY OF CALIFORNIA OBSERVATORIES		SHANE AO WAVE FRONT SENSOR FIELD STEERING MIRROR1	
DES'N BY: M.L. SAYLOR	ORIGIN DATE: 09-13-12	DWG. NO.	NUM. 1 OF 3
Last SN	MODIFY DATE: 07-23-13	EL-3822	REV. A
PRINT TIME: 09:00:48	PRINT DATE: Wed Apr 23, 2014		
PATH: AO Upgrade/		SAO_wfs_fs1.sch	

B

REVISIONS	http://loel.ucolick.org/manual/AOup/schematics/AO_wfs_fs1_sh_1.pdf
10-10-12 ADDED DETAILS TO ALL SHEETS	
07-23-13 ADDED OPTO CONTROLLED LIMIT BOARD	