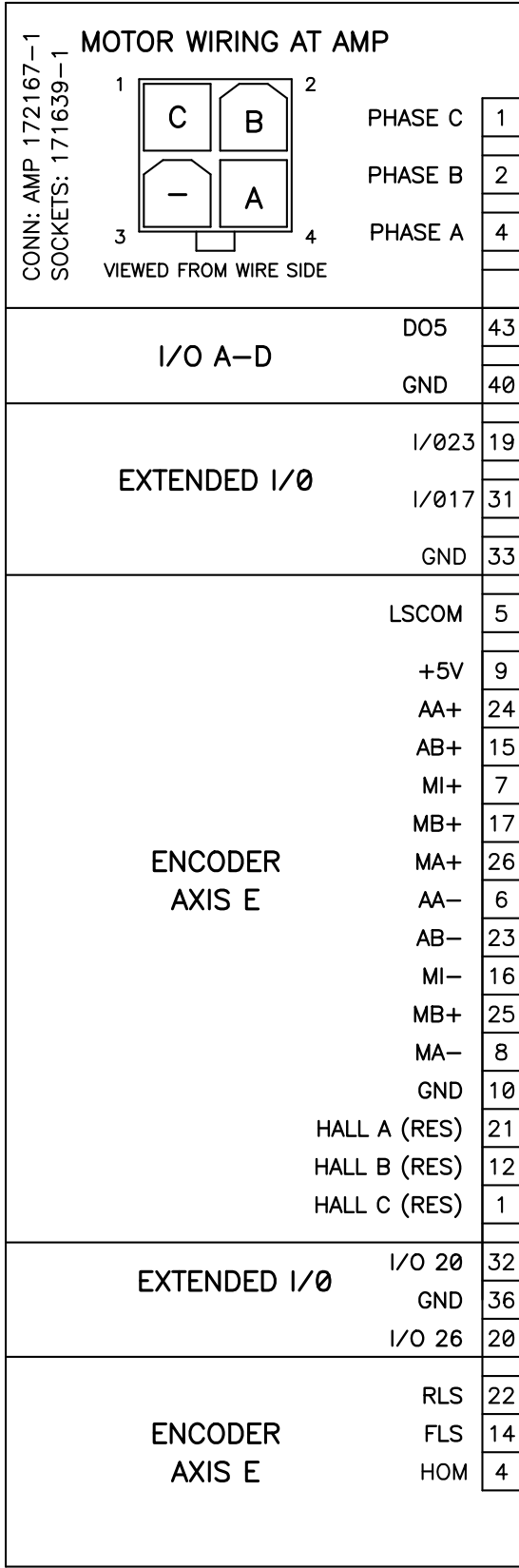


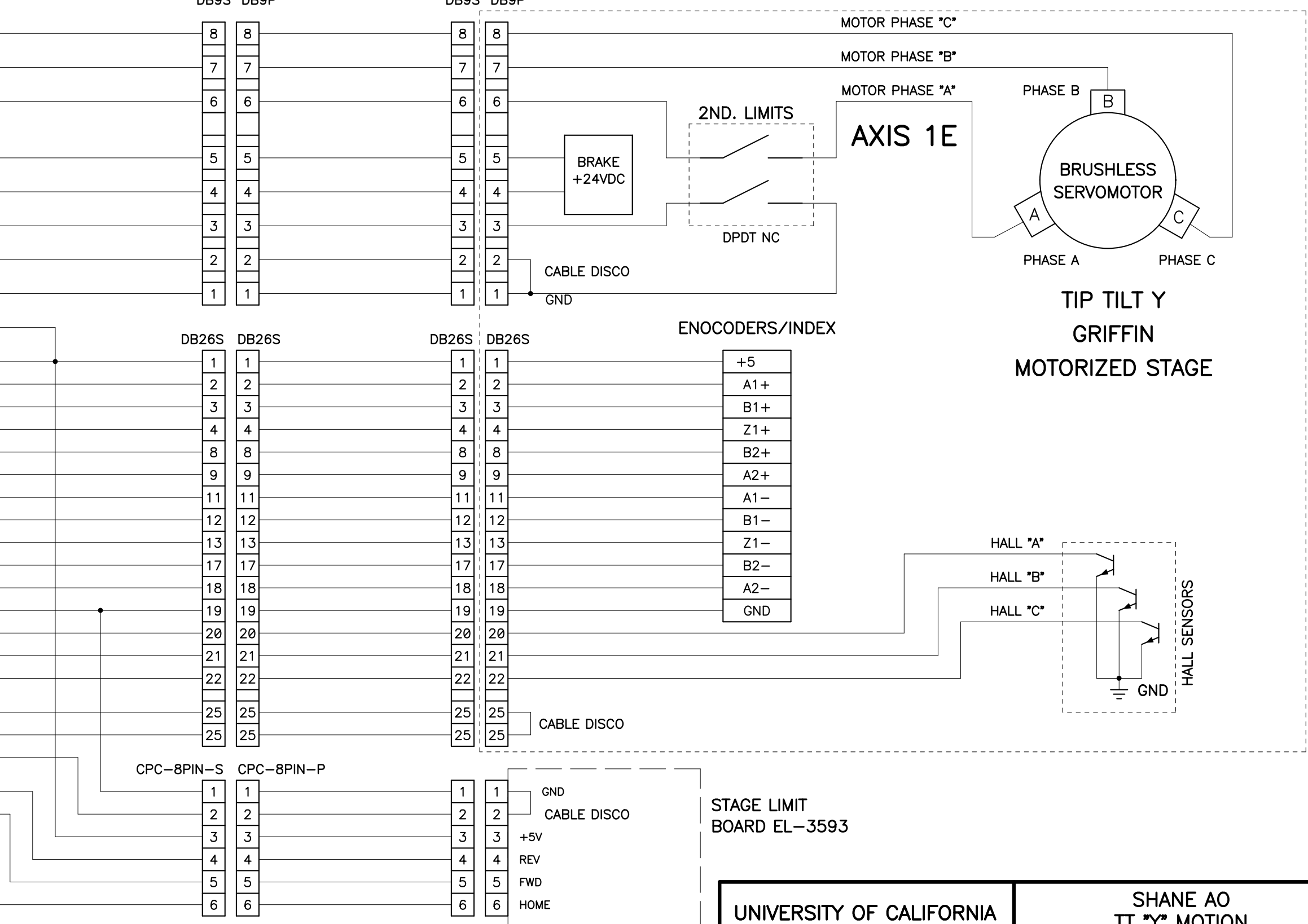
GALIL DMC-4080



ELECTRONICS RACK

CABLE RUN

OPTICS BENCH



UNIVERSITY OF CALIFORNIA OBSERVATORIES		SHANE AO TT "Y" MOTION STAGE WIRING	
DES'N BY: B. Alcott	ORIGIN DATE: 03-08-12	DWG. NO. EL-3815	NUM. 2 OF 3
Last SN	MODIFY DATE: 05-15-16	REV. A	
PRINT TIME: 15:47:39	PRINT DATE: Fri May 16, 2014		
PATH: AO Upgrade/		SAO_tt_x-y.sch	

REVISIONS

10-04-12	ADDED WIRING DETAILS
11-05-12	ADDED MOTOR SPECS
05-16-13	UPDATED FROM REDLINE

[http://loel.ucolick.org/manual/AOup/schematics/AO\\_tt\\_x-y\\_sh\\_2.pdf](http://loel.ucolick.org/manual/AOup/schematics/AO_tt_x-y_sh_2.pdf)