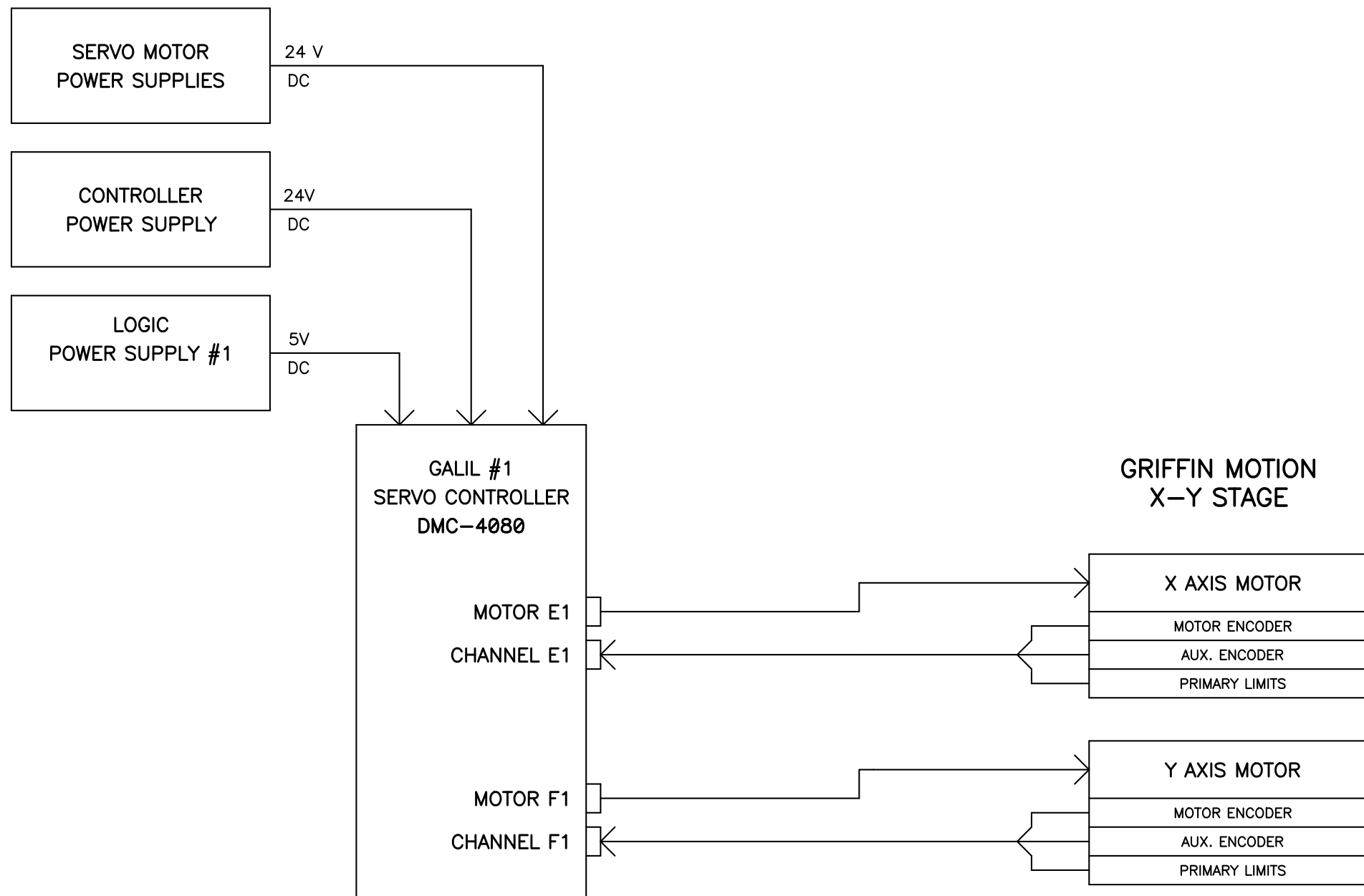


TTS STAGE



B

REVISIONS	http://loel.ucolick.org/manual/AOup/schematics/AO_tt_x-y_sh_1.pdf
10-04-12 ADDED WIRING DETAILS	
05-16-14 UPDATED POWER SUPPLY AND AUX. ENCODER	

UNIVERSITY OF CALIFORNIA OBSERVATORIES		SHANE AO TT X-Y MOTION CONNECTIONS	
DES'N BY: B. Alcott	ORIGIN DATE: 03-08-12	DWG. NO.	NUM. 1 OF 3
Last SN	MODIFY DATE: 05-16-14	EL-3815	REV. A
PRINT TIME: 15:47:24	PRINT DATE: Fri May 16, 2014		
PATH: AO Upgrade/		SAO_tt_x-y.sch	