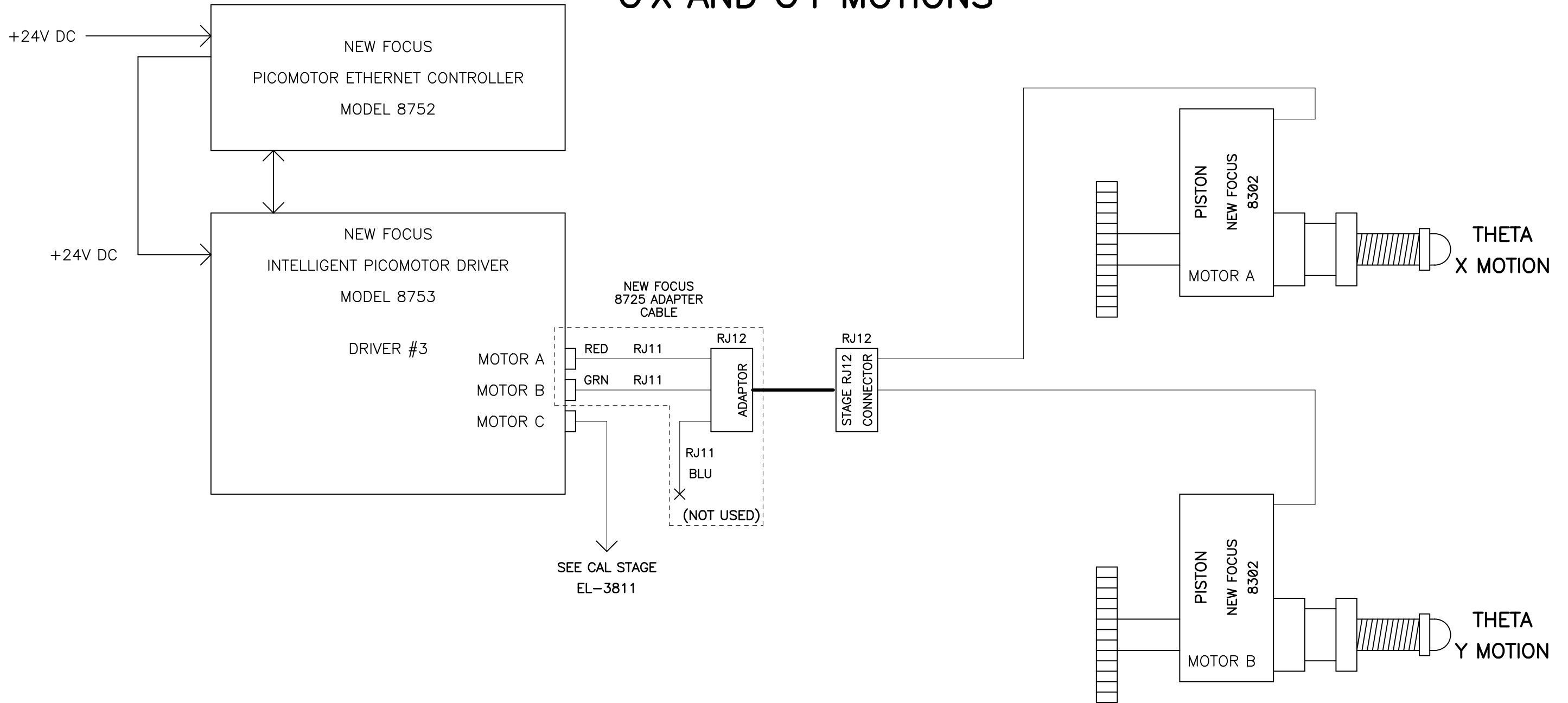


Θ X AND Θ Y MOTIONS



REVISIONS
11-20-12 GENERATED CORRECTED DRAWINGS

http://loel.ucolick.org/manual/AOup/schematics/AO_mems_sh_2.pdf

UNIVERSITY OF CALIFORNIA OBSERVATORIES		SHANE AO MEMS Θ X AND Θ Y MOTIONS	
DES'N BY: B. Alcott	ORIGIN DATE: 03-05-12	DWG. NO.	NUM. 2 OF 2
Last SN	MODIFY DATE: 11-20-12	EL-3824	REV. A
PRINT TIME: 07:13:29	PRINT DATE: Tue Nov 20, 2012		
PATH: AO Upgrade/		SAO_mems.sch	