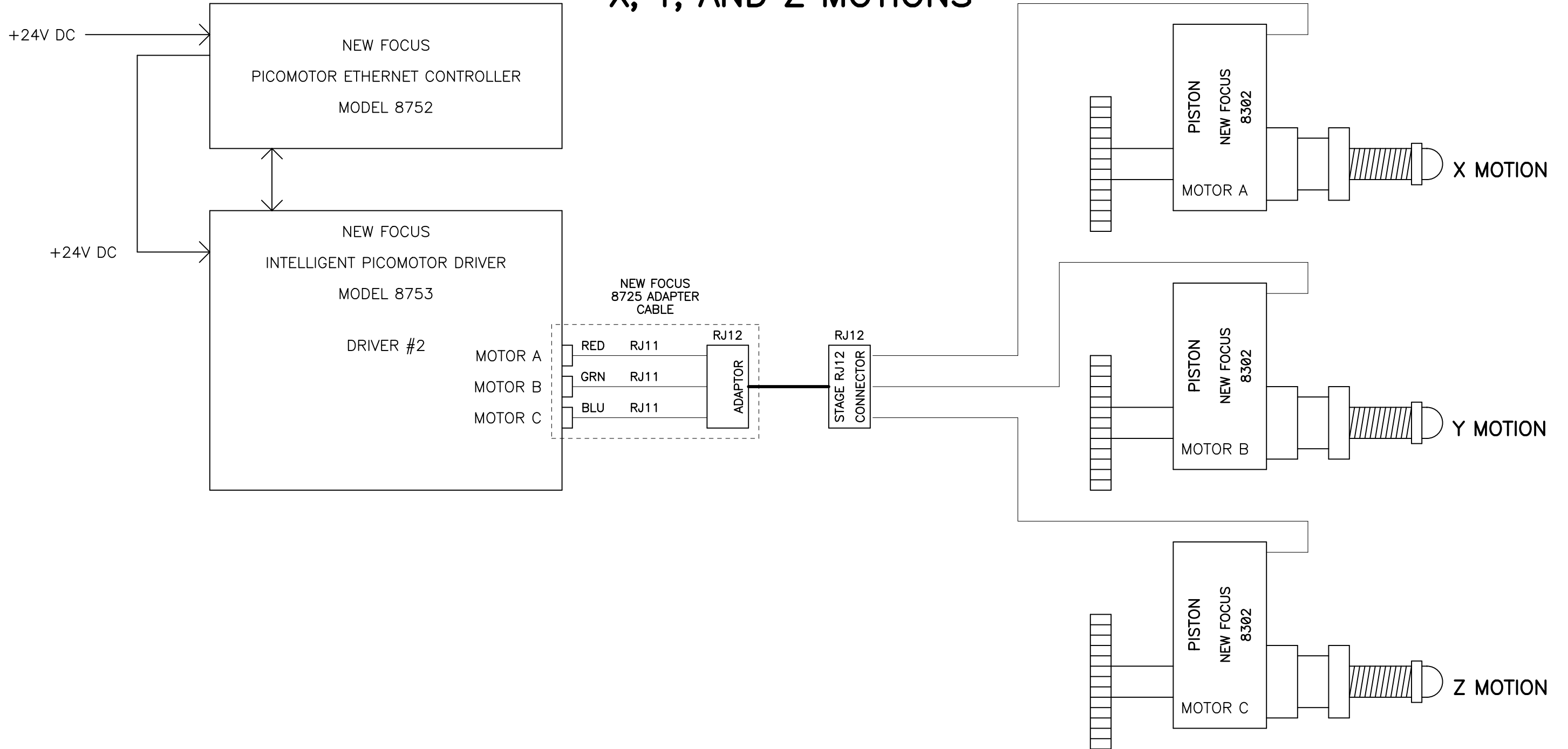


# X, Y, AND Z MOTIONS



$\Theta$  X AND  $\Theta$  Y MOTIONS – NEXT SHEET

REVISIONS	<a href="http://loel.ucolick.org/manual/AOup/schematics/AO_mems_sh_1.pdf">http://loel.ucolick.org/manual/AOup/schematics/AO_mems_sh_1.pdf</a>
11-20-12 GENERATED CORRECTED DRAWINGS	

UNIVERSITY OF CALIFORNIA OBSERVATORIES		SHANE AO MEMS X, Y, AND Z MOTIONS	
DES'N BY: B. Alcott	ORIGIN DATE: 03-05-12	DWG. NO.	NUM. 1 OF 2
Last SN	MODIFY DATE: 11-20-12	EL-3824	REV. A
PRINT TIME: 07:12:25	PRINT DATE: Tue Nov 20, 2012		
PATH: AO Upgrade/		SAO_mems.sch	