

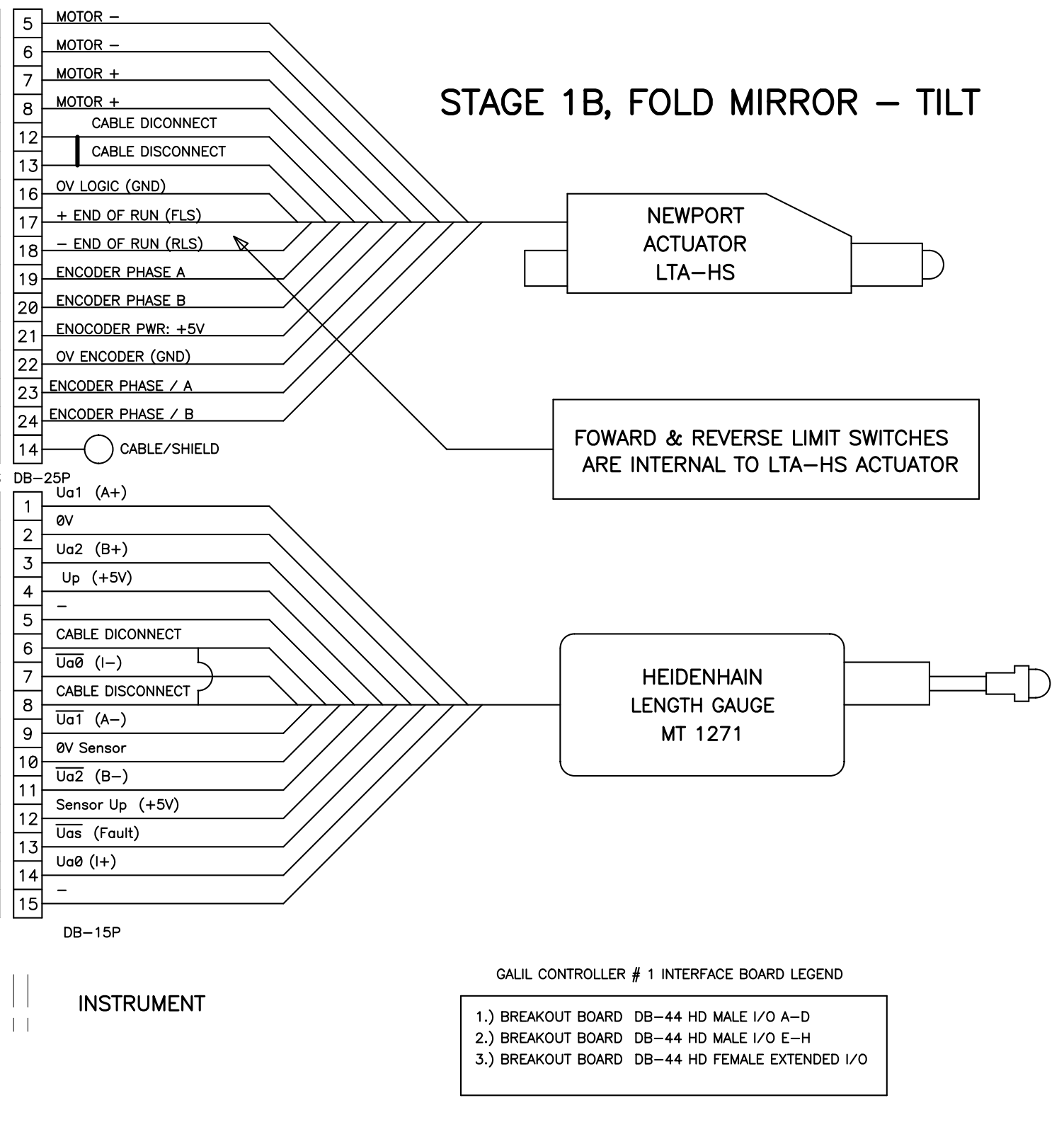
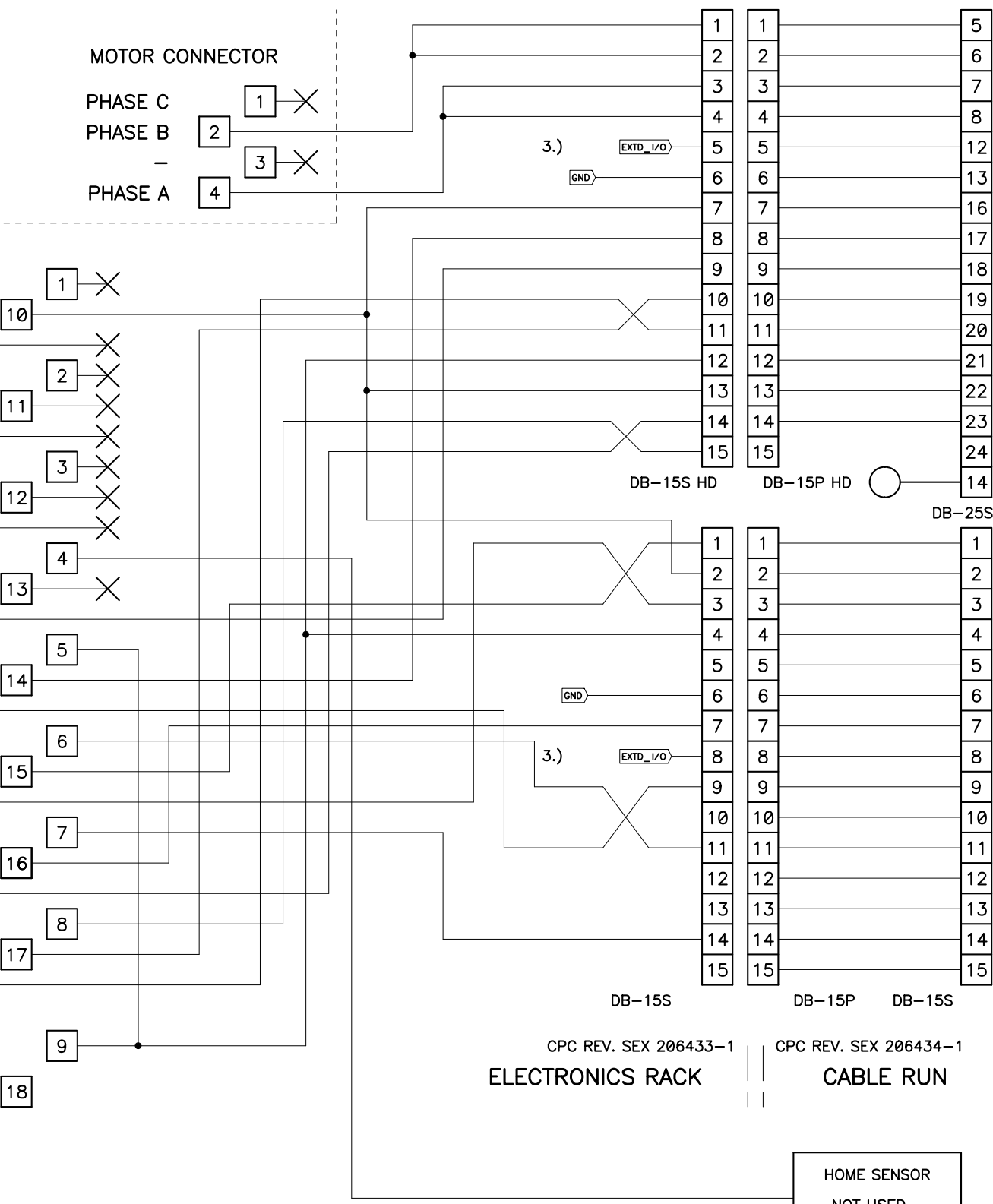
MOTOR CONNECTOR

PHASE C 1

PHASE B 2

PHASE A 4

- RES 1
- GND 10
- MCMD 19
- AEN 2
- ENBL- 11
- ENBL+ 20
- DIR 3
- RES 12
- RES 21
- HOM 4
- STP 13
- RLS 22
- LSCOM 5
- FLS 14
- AB- 23
- AA- 6
- AB+ 15
- AA+ 24
- MI+ 7
- MI- 16
- MB- 25
- MA- 8
- MB+ 17
- MA+ 26
- +5V 9
- GND 18



STAGE 1B, FOLD MIRROR - TILT

REVISIONS

10-04-12	ADDED DETAILED WIRING
10-03-13	CHANGED ACTUATOR TO NEWPORT & LOAD ENCODER TO HEIDENHAIN
05-06-13	UPDATED SCHEMATIC WITH CHANGES TO REVESE ENCODER DIRECTIONS

http://loel.ucoick.org/manual/AOup/schematics/AO_fm1_sh_2.pdf

UNIVERSITY OF CALIFORNIA OBSERVATORIES		SHANE AO FOLD MIRROR 1 STAGE TILT MOTION WIRING	
DES'N BY: M.L.SAYLOR	ORIGIN DATE: 03-02-12	DWG. NO. EL-3812	NUM. 3 OF 3
Last SN	MODIFY DATE: 05-05-12	REV. A	
PRINT TIME: 13:18:27	PRINT DATE: Thu May 08, 2014		
PATH: AO Upgrade/		SAO_fm1.sch	