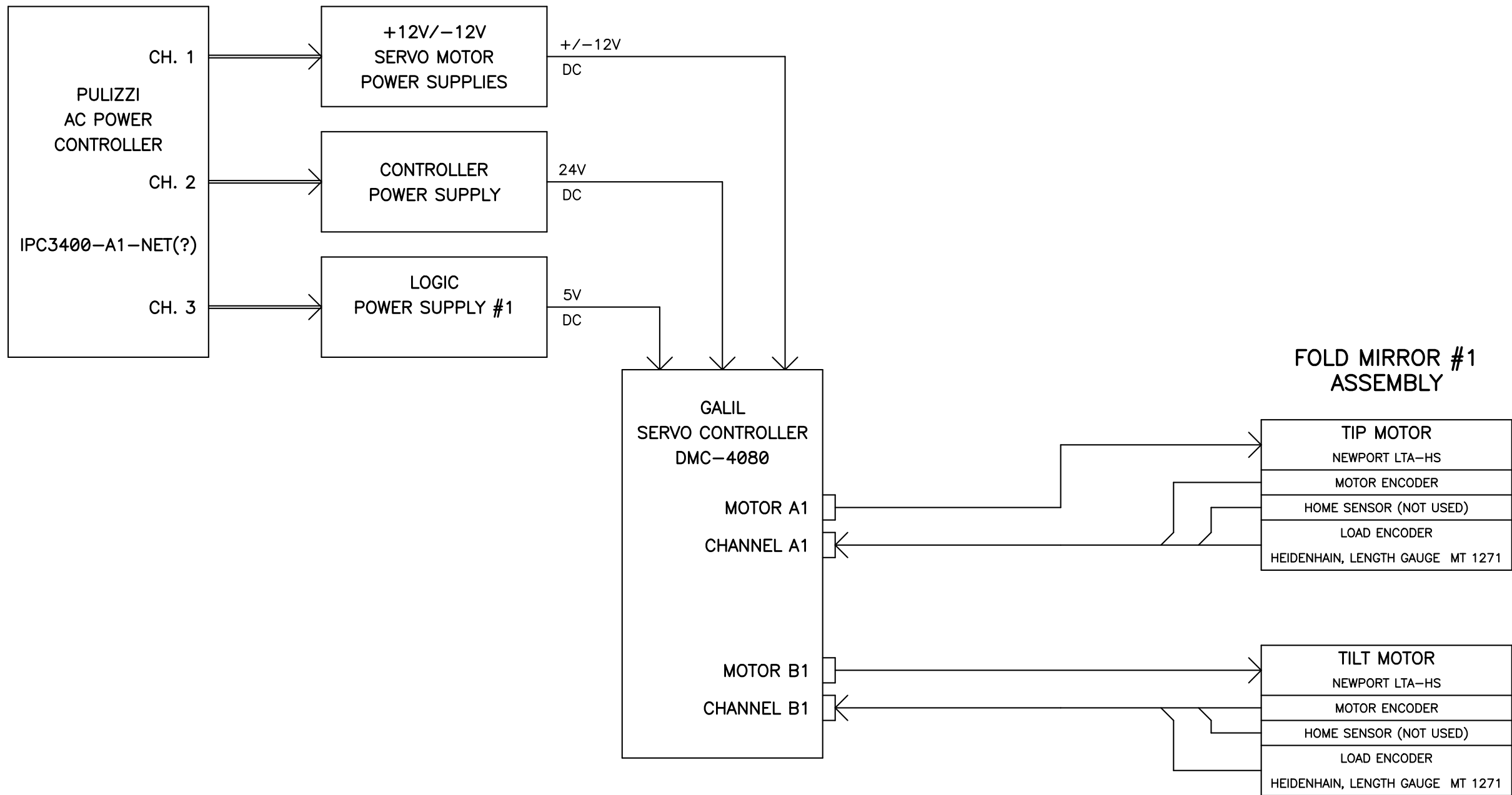


FOLD MIRROR #1 STAGE



FOLD MIRROR #1 ASSEMBLY

TIP MOTOR
NEWPORT LTA-HS
MOTOR ENCODER
HOME SENSOR (NOT USED)
LOAD ENCODER
HEIDENHAIN, LENGTH GAUGE MT 1271

TILT MOTOR
NEWPORT LTA-HS
MOTOR ENCODER
HOME SENSOR (NOT USED)
LOAD ENCODER
HEIDENHAIN, LENGTH GAUGE MT 1271

B

REVISIONS		http://loel.ucolick.org/manual/AOup/schematics/AO_fm1_sh_1.pdf
10-04-12	ADDED DETAILED WIRING	
10-03-13	CHANGED ACTUATOR TO NEWPORT & LOAD ENCODER TO HEIDENHAIN	
05-06-13	UPDATED SCHEMATIC WITH CHANGES TO REVERSE ENCODER DIRECTIONS	

UNIVERSITY OF CALIFORNIA OBSERVATORIES		SHANE AO FOLD MIRROR 1 STAGE CONNECTIONS	
DES'N BY: M.L.SAYLOR	ORIGIN DATE: 03-02-12	DWG. NO. EL-3812	NUM. 1 OF 3
Last SN	MODIFY DATE: 05-05-12	REV. A	
PRINT TIME: 13:17:30	PRINT DATE: Thu May 08, 2014		
PATH: AO Upgrade/		SAO_fm1.sch	