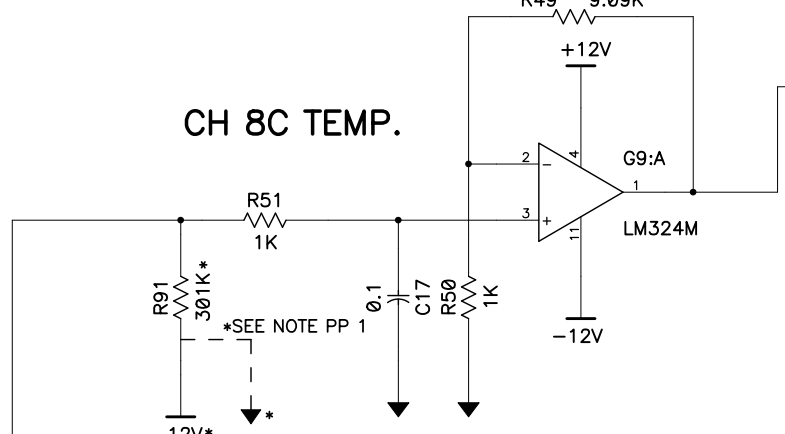
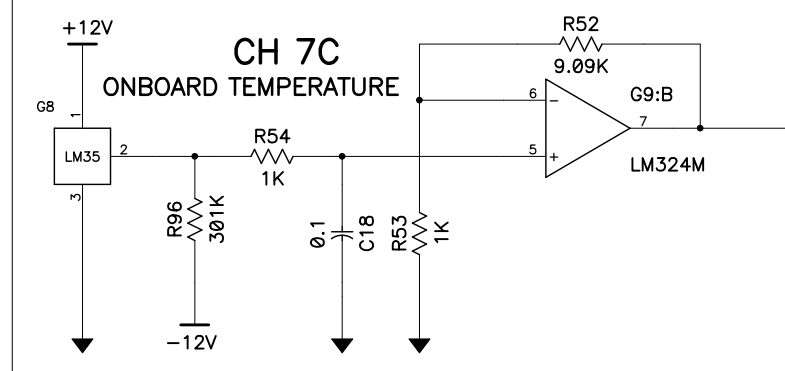


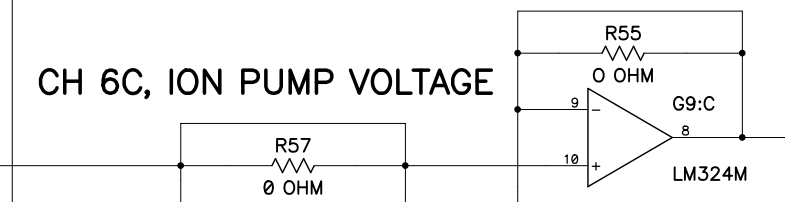
**CH 8C TEMP.**



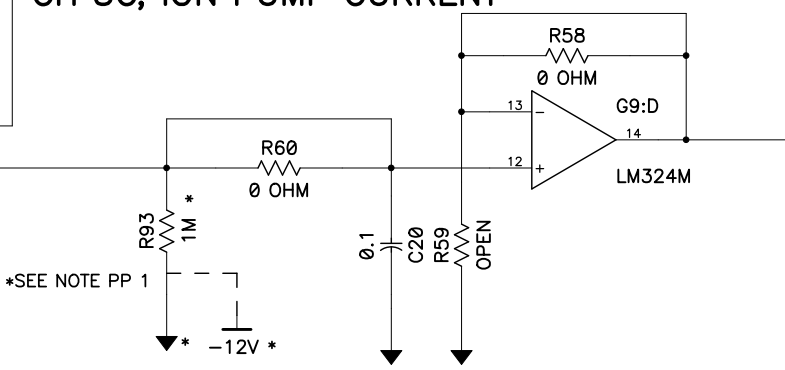
**CH 7C ONBOARD TEMPERATURE**



**CH 6C, ION PUMP VOLTAGE**

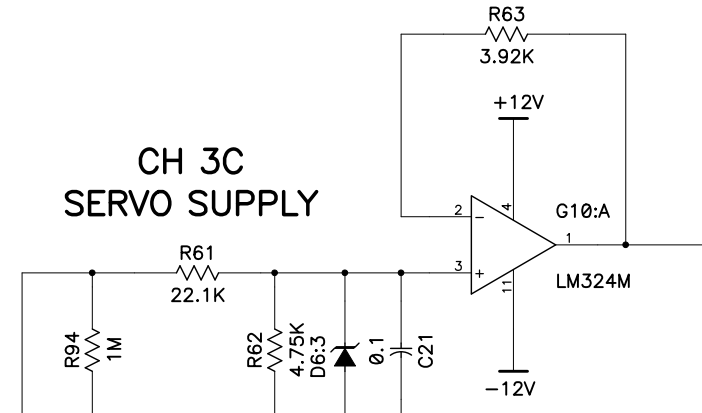


**CH 5C, ION PUMP CURRENT**

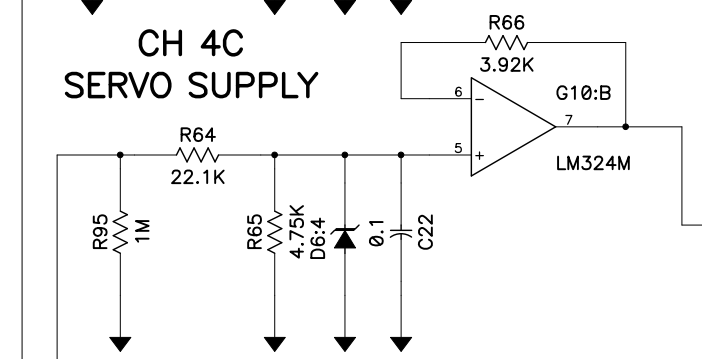


CONFIGURED FOR ANALOG INPUT BOARD #2 ON APF

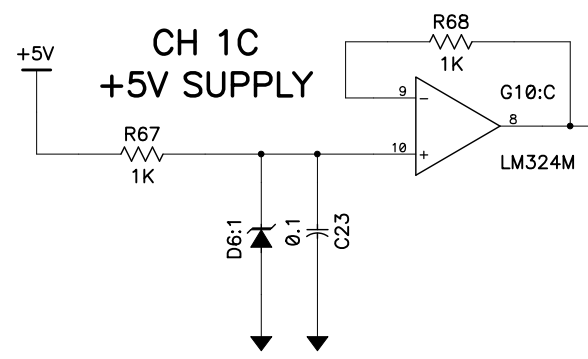
**CH 3C SERVO SUPPLY**



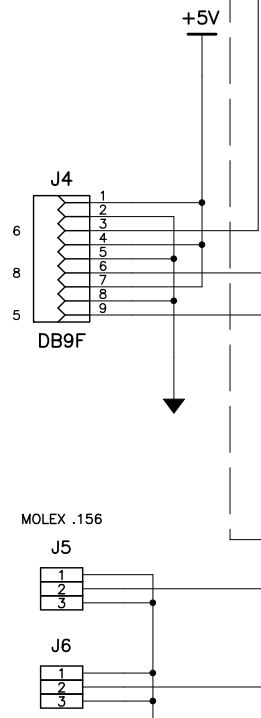
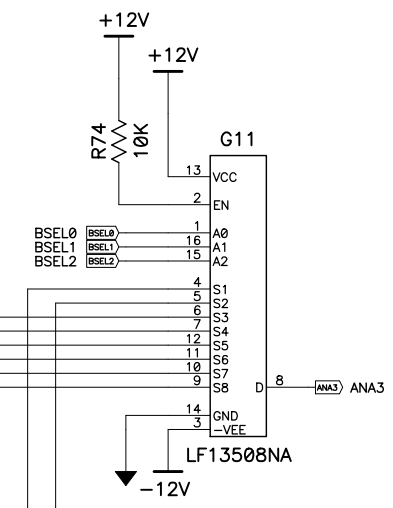
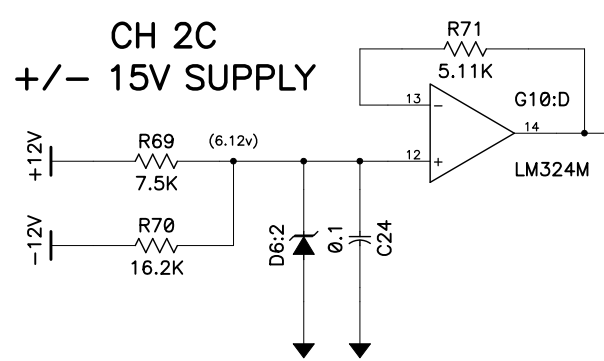
**CH 4C SERVO SUPPLY**



**CH 1C +5V SUPPLY**



**CH 2C +/- 15V SUPPLY**



REVISION		Last Ser # Used: 30
09-30-97	ADDED 1M PULL-DOWN RESISTORS TO INPUTS & CONNECTED J3-25 TO GROUND	
12-10-97	CHANGED ANA2 LABEL AND PORT TO ANA3	
07-26-99	REMOVED TRANSORBS	
04-12-01	CORRECTED SUPPLY VOLTAGES TO BE +/-12v INSTEAD OF +/-15v	
01-04-10	UPDATED CHANNEL 5 AND 6 FOR ION PUMP CONTROLLER ON APF	

UNIVERSITY OF CALIFORNIA LICK OBSERVATORY		24 ANALOG INPUT BOARD	
DES'N BY: B. Alcott	ORIGIN DATE: 05-23-97	DWG. NO.	NUM. 3 OF 3
DRAWN BY:	MODIFY DATE: 01-04-10	EL-1230-2S	
PATH: MULTIPURPOSE\EL-1230\ANALOG24	REV.A		

EL-1230 (3 OF 3)

CHANNEL C

24 ANALOG INPUT BOARD