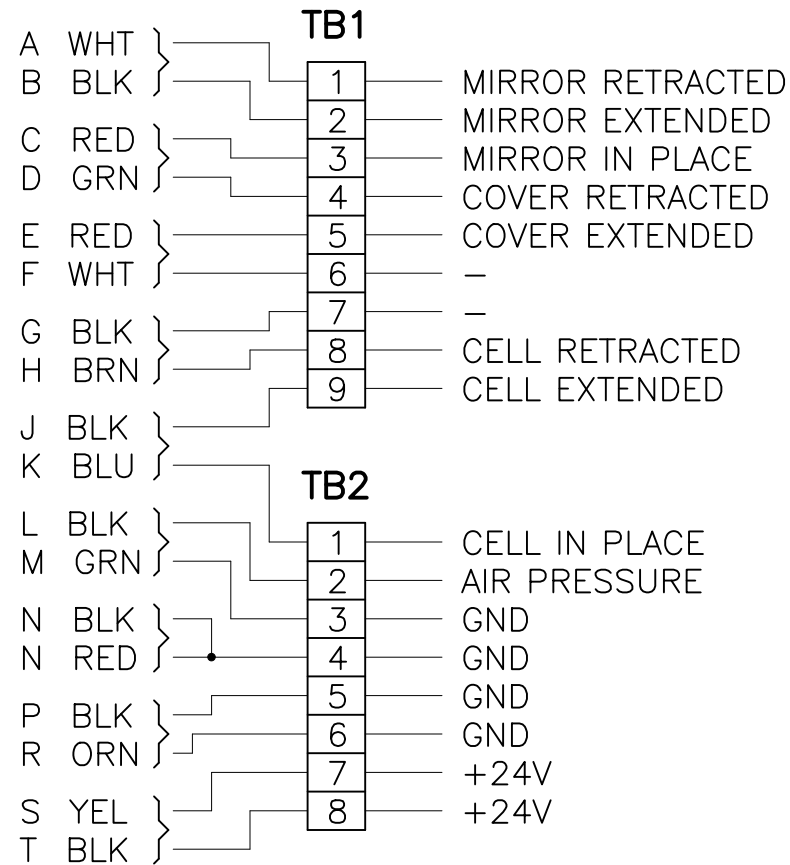
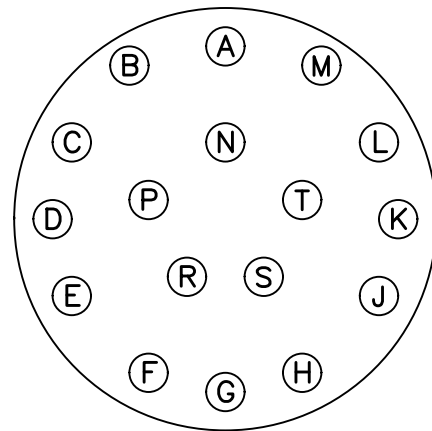
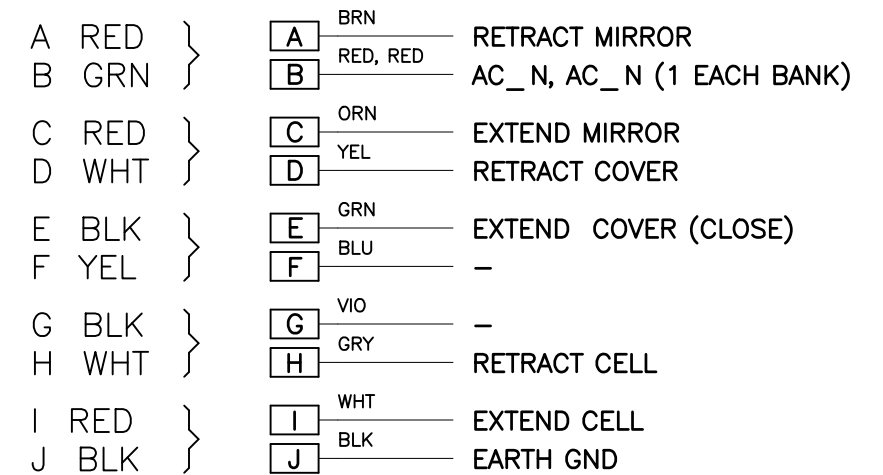
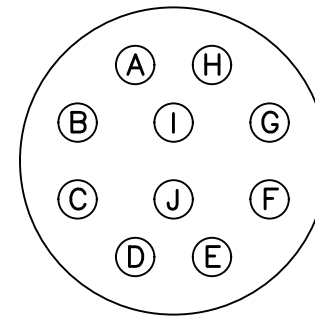


**J1 STATUS**



**J2 CONTROL**



} DENOTES TWISTED PAIRS

NOTE: THESE COLORS ARE IN THE CABLE. EXTERNAL WIRE COLORS ARE MARKED ON THE SCHEMATICS.

REVISIONS

[http://loel.ucolick.org/manual/Hamilton\\_II/schematics/HAM\\_II\\_slit\\_room\\_wiring\\_sh\\_4.pdf](http://loel.ucolick.org/manual/Hamilton_II/schematics/HAM_II_slit_room_wiring_sh_4.pdf)

- 07-11-08 ADDED THIS SHEET
- 07-17-08 ADDED TERMINAL STRIPS AND SIGNAL ASSIGNMENTS
- 11-12-08 REWORKED TO ELIMINATE 'SPARE' WIRING. OUTPUT BITS NOW ALLOCATED TO AC POWER ROUTING FOR MIRROR COVER AND CELLS

UNIVERSITY OF CALIFORNIA LICK OBSERVATORY		HAMILTON SPECTROGRAPH STAGE CABLE WIRING	
DES'N BY: B. Alcott	ORIGIN DATE: 04-15-08	DWG. NO.	NUM. 4 OF 4
Last SN	MODIFY DATE: 11-12-08	EL-4010	REV. A
PRINT TIME: 06:42:00	PRINT DATE: Fri Mar 12, 2010		
PATH: Hamilton_II\		HAM_II_slit_room_wiring.SCH	