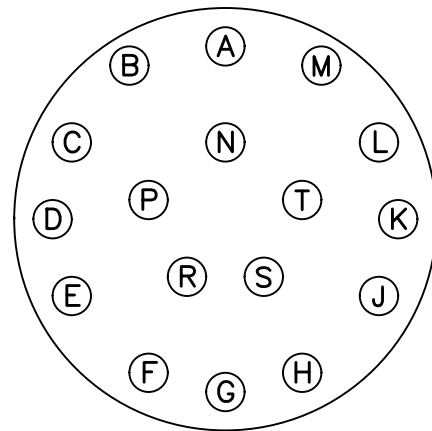
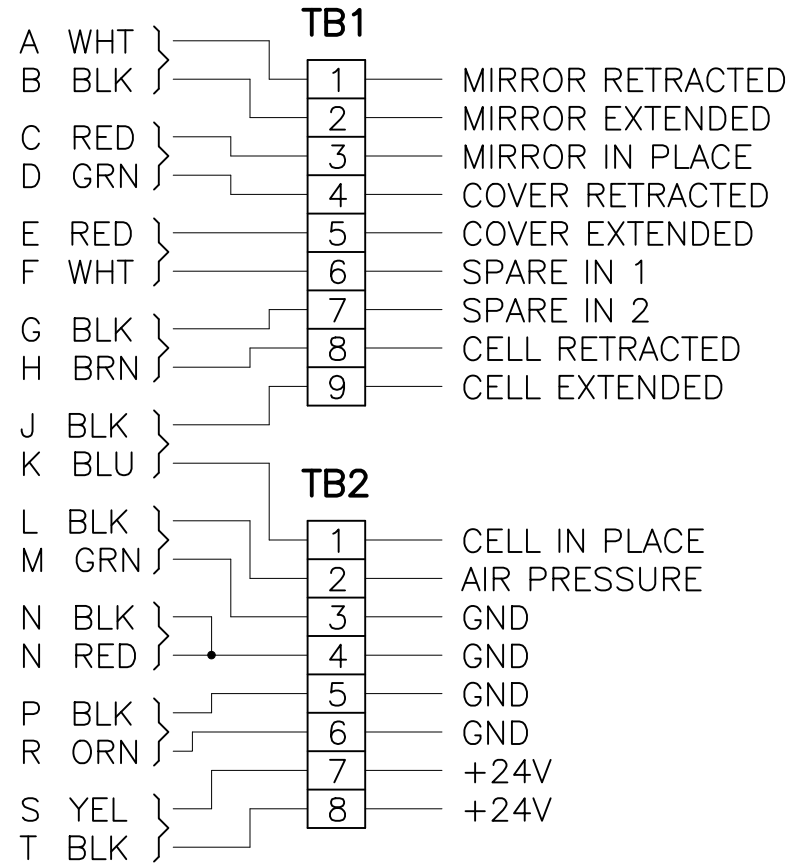


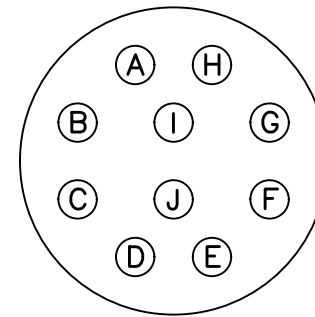
**J1 STATUS**



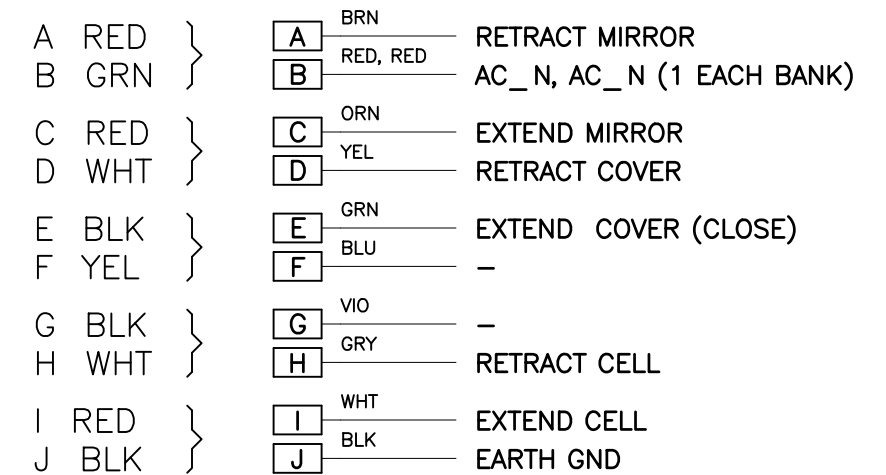
CABLE WIRE COLORS



**J2 CONTROL**



CABLE WIRE COLORS



} DENOTES TWISTED PAIRS

NOTE: THESE COLORS ARE IN THE CABLE. EXTERNAL WIRE COLORS ARE MARKED ON THE SCHEMATICS.

REVISIONS [http://loel.ucolick.org/manual/Hamilton\\_II/schematics/HAM\\_II\\_iodine\\_cell\\_mirror\\_sh\\_3.pdf](http://loel.ucolick.org/manual/Hamilton_II/schematics/HAM_II_iodine_cell_mirror_sh_3.pdf)

UNIVERSITY OF CALIFORNIA LICK OBSERVATORY		HAMILTON SPECTROGRAPH IODINE CELL AND MIRROR CONTROL WIRING	
DES'N BY: B. Alcott	ORIGIN DATE: 10-19-09	DWG. NO.	NUM. 3 OF 3
Last SN	MODIFY DATE:	EL-4023	REV. B
PRINT TIME: 06:30:29	PRINT DATE: Fri Mar 12, 2010		
PATH: Hamilton_II\		HAM_II_iodine_cell_mirror.sch	