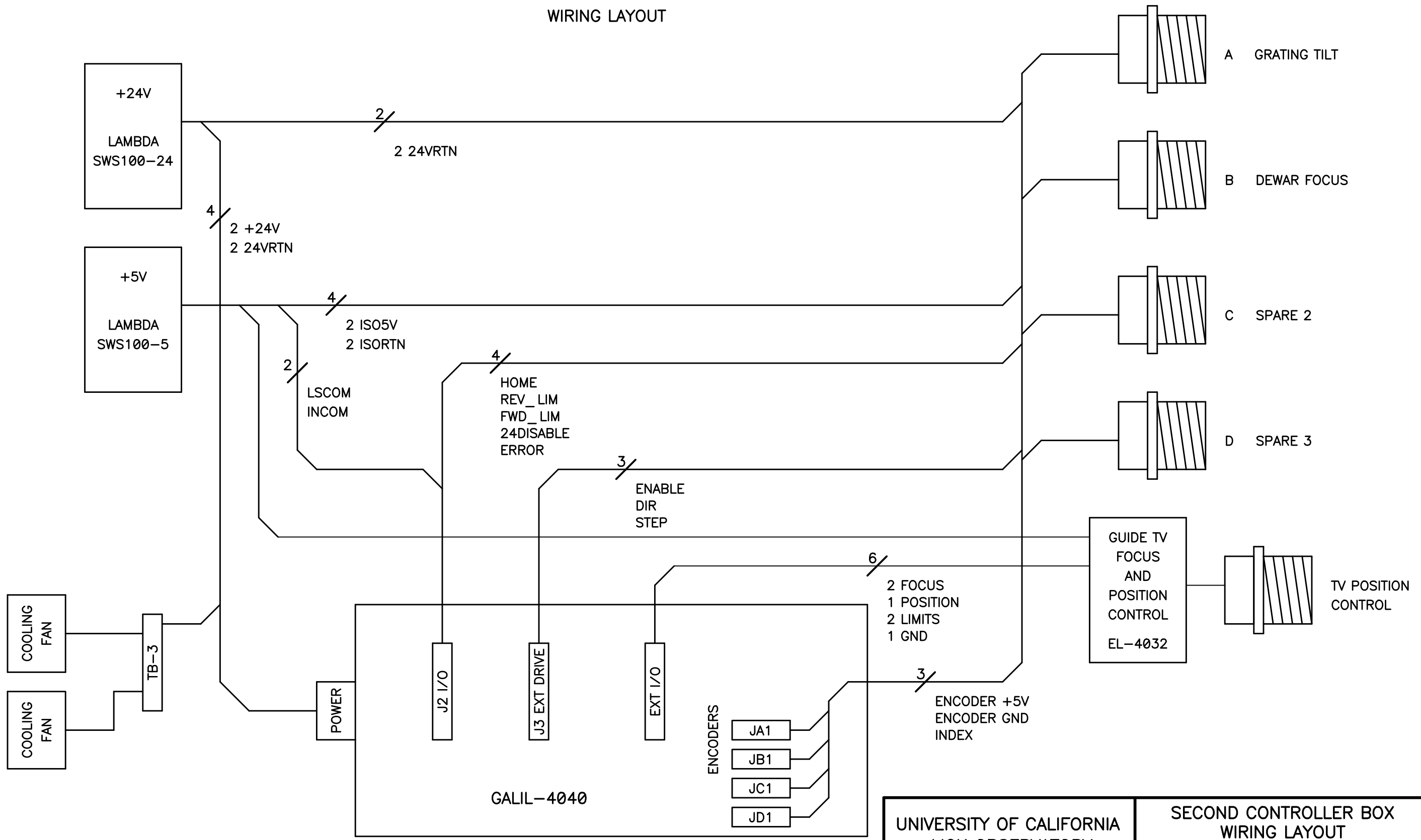


WIRING LAYOUT



REVISIONS http://loel.ucolick.org/manual/Hamilton_II/schematics/HAM_II_box_2_wiring_sh_6.pdf

06-30-10 ADDED TV POSITION EL-4032 BLOCK
 11-01-10 SWAPPED GRATING TILT & DEWAR FOCUS WITH GUIDE CAMERA FOCUS AND FILTER STAGES TO ALLOW USE OF CN1,-1 ON HARDY AND CN1,1 ON LAUREL.

UNIVERSITY OF CALIFORNIA LICK OBSERVATORY		SECOND CONTROLLER BOX WIRING LAYOUT HAMILTON SPECTROGRAPH II	
DES'N BY: B. Alcott	ORIGIN DATE: 08-19-09	DWG. NO.	NUM. 6 OF 6
Last SN	MODIFY DATE: 11-01-10	EL-4004	REV. A
PRINT TIME: 07:09:32	PRINT DATE: Mon Nov 01, 2010		
PATH: Hamilton_II\		HAM_II_box_2_wiring.sch	