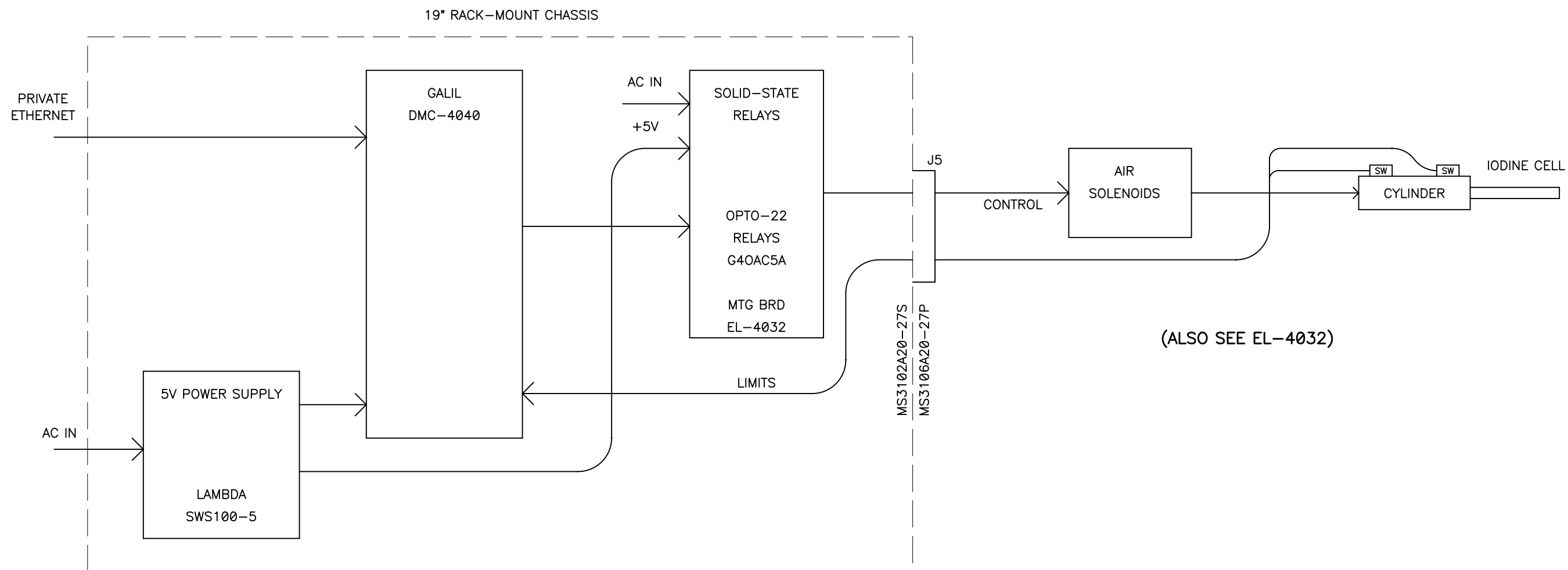


GUIDE TV POSITION CONTROL



UNIVERSITY OF CALIFORNIA LICK OBSERVATORY		BLOCK DIAGRAM HAMILTON SPECTROGRAPH II	
DES'N BY: B. Alcott	ORIGIN DATE: 06-27-08	DWG. NO.	NUM. 4 OF 5
Last SN	MODIFY DATE: 06-25-10	EL-4001	REV. A
PRINT TIME: 07:17:50	PRINT DATE: Fri Jun 25, 2010		
PATH: Hamilton_II\		HAM_II_block.sch	

REVISIONS	http://loel.ucolick.org/manual/Hamilton_II/schematics/HAM_II_block_sh_4.pdf
06-25-10	ADDED THIS SHEET