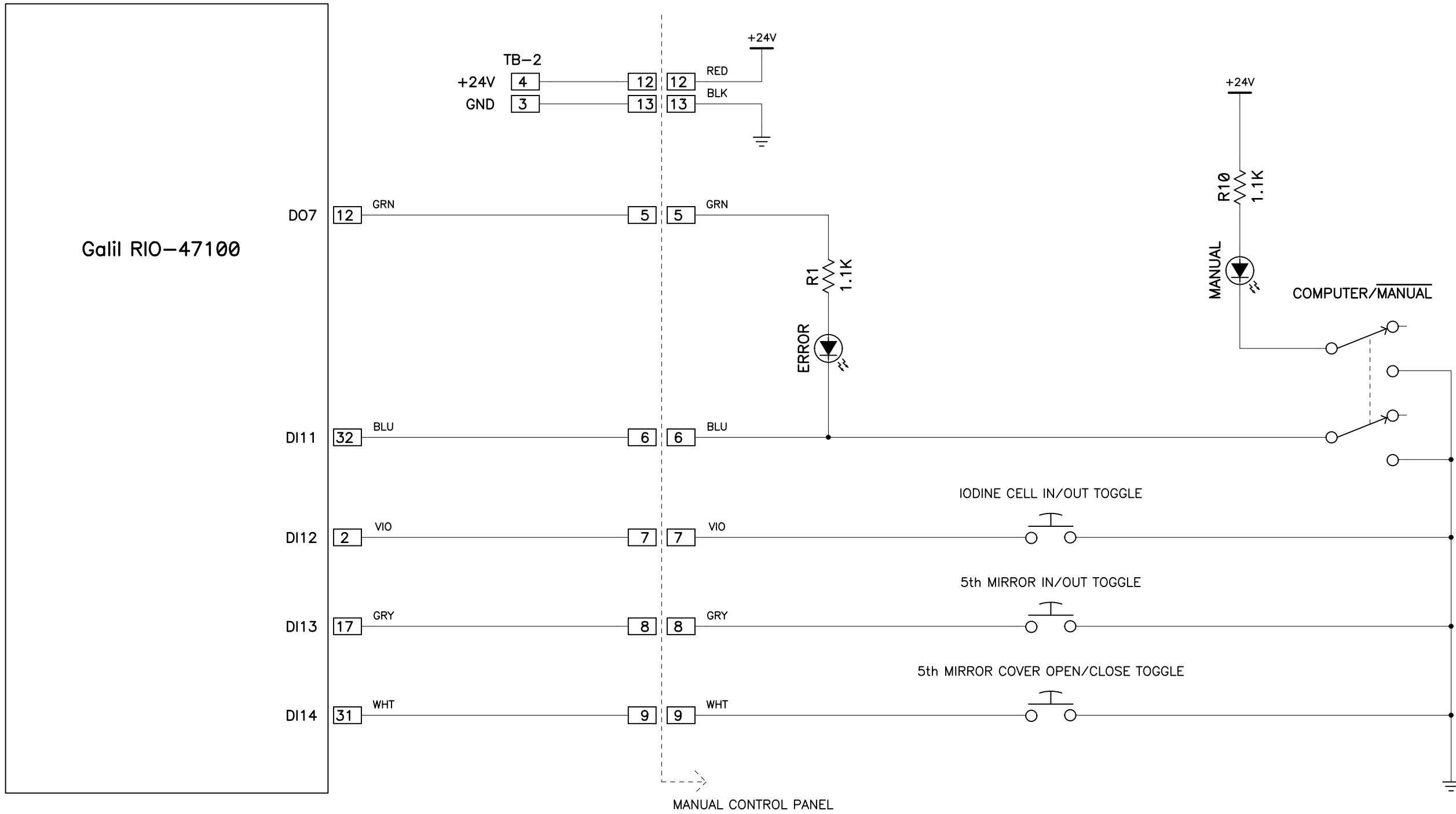


FRONT PANEL MANUAL CONTROL



REVISIONS	http://loel.ucolick.org/manual/Hamilton_II/schematics/HAM_II_loMirr_wiring_sh_2.pdf
07-11-08	REMOVED CAT PORT LABELS - CAT PORT NOT AUTOMATED
07-17-08	NEW FRONT PANEL EXCLUDES FORMER CAT PORT SWITCH MOUNT (SWITCH STILL WIRED BUT TIED OFF ON BACK SIDE OF PANEL)
08-05-08	REMOVED UNUSED CIRCUITRY

UNIVERSITY OF CALIFORNIA LICK OBSERVATORY		HAMILTON SPECTROGRAPH IODINE CELL AND MIRROR CONTROL WIRING	
DES'N BY: B. Alcott	ORIGIN DATE: 04-15-08	DWG. NO.	NUM. 2 OF 5
Last SN	MODIFY DATE: 08-05-08	EL-4032	REV.
PRINT TIME: 06:32:48	PRINT DATE: Fri Mar 12, 2010		A
PATH: Hamilton_Iodine_Mirror\		HAM_II_loMirr_wiring.SCH	