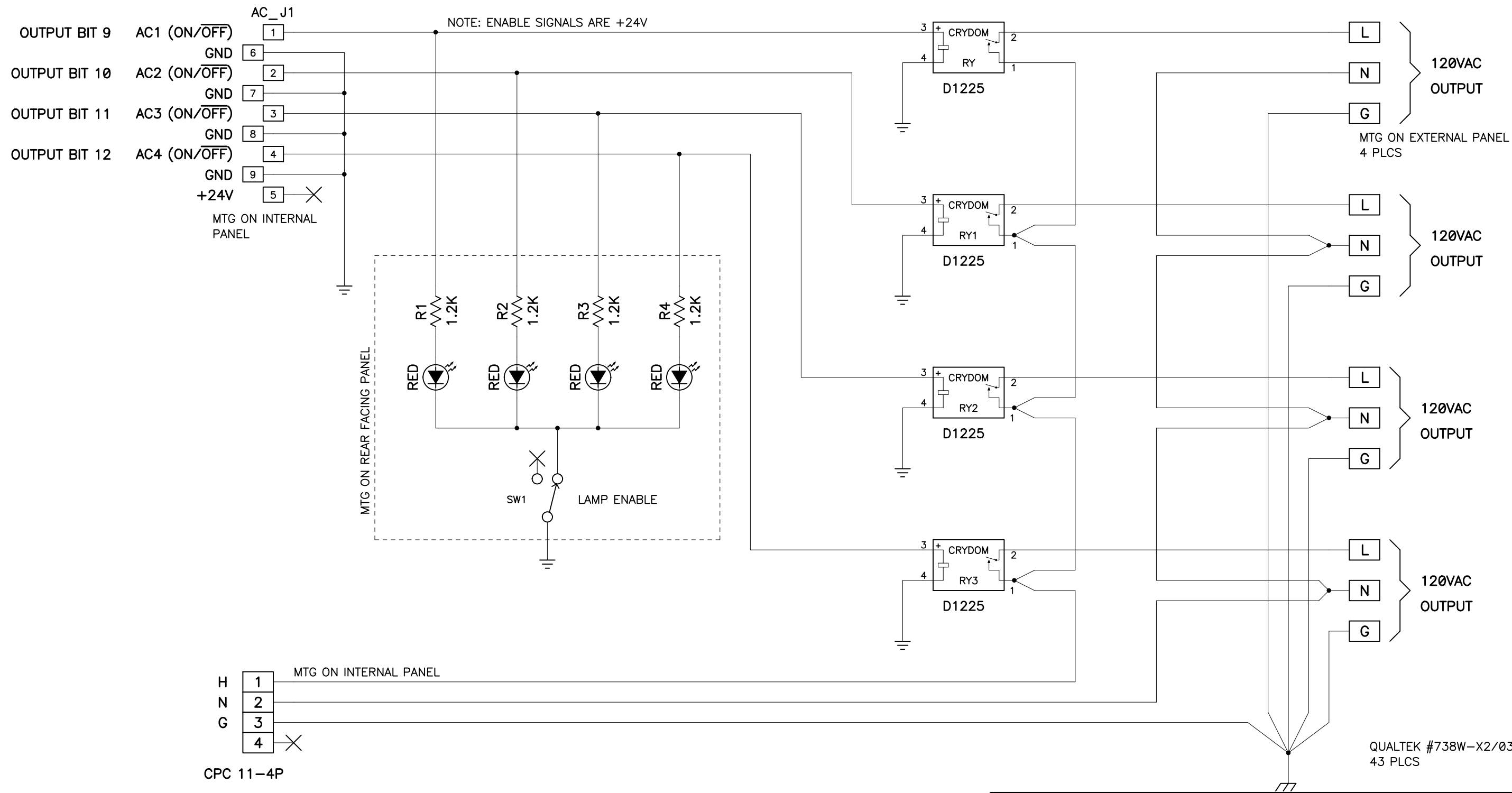


AC TRIPLE RELAY MODULE



UNIVERSITY OF CALIFORNIA LICK OBSERVATORY		AC TRIPLE RELAY MODULE HAMILTON SPECTROGRAPH II	
DES'N BY: B. Alcott	ORIGIN DATE: 07-28-08	DWG. NO.	NUM. 1 OF 1
Last SN	MODIFY DATE: 06-08-10	EL-4008	REV. A
PRINT TIME: 14:42:52	PRINT DATE: Tue Jun 08, 2010		
PATH: Hamilton_II\		HAM_II_AC_relay.sch	

REVISIONS http://loel.ucolick.org/manual/Hamilton_II/schematics/HAM_II_AC_relay_sh_1.pdf

10-16-08 CHANGED SIGNAL NAMES AND ADDED OUTPUT BIT NUMBERS
 06-08-10 ADDED FOURTH CIRCUIT TO ACCOMMODATE OMEGA TEMPERATURE CONTROLLER - FOR REMOTE CONTROL