

NOTE: ON EACH AMP-1140, INCOM & LSCOM ARE JUMPED TO +5V.

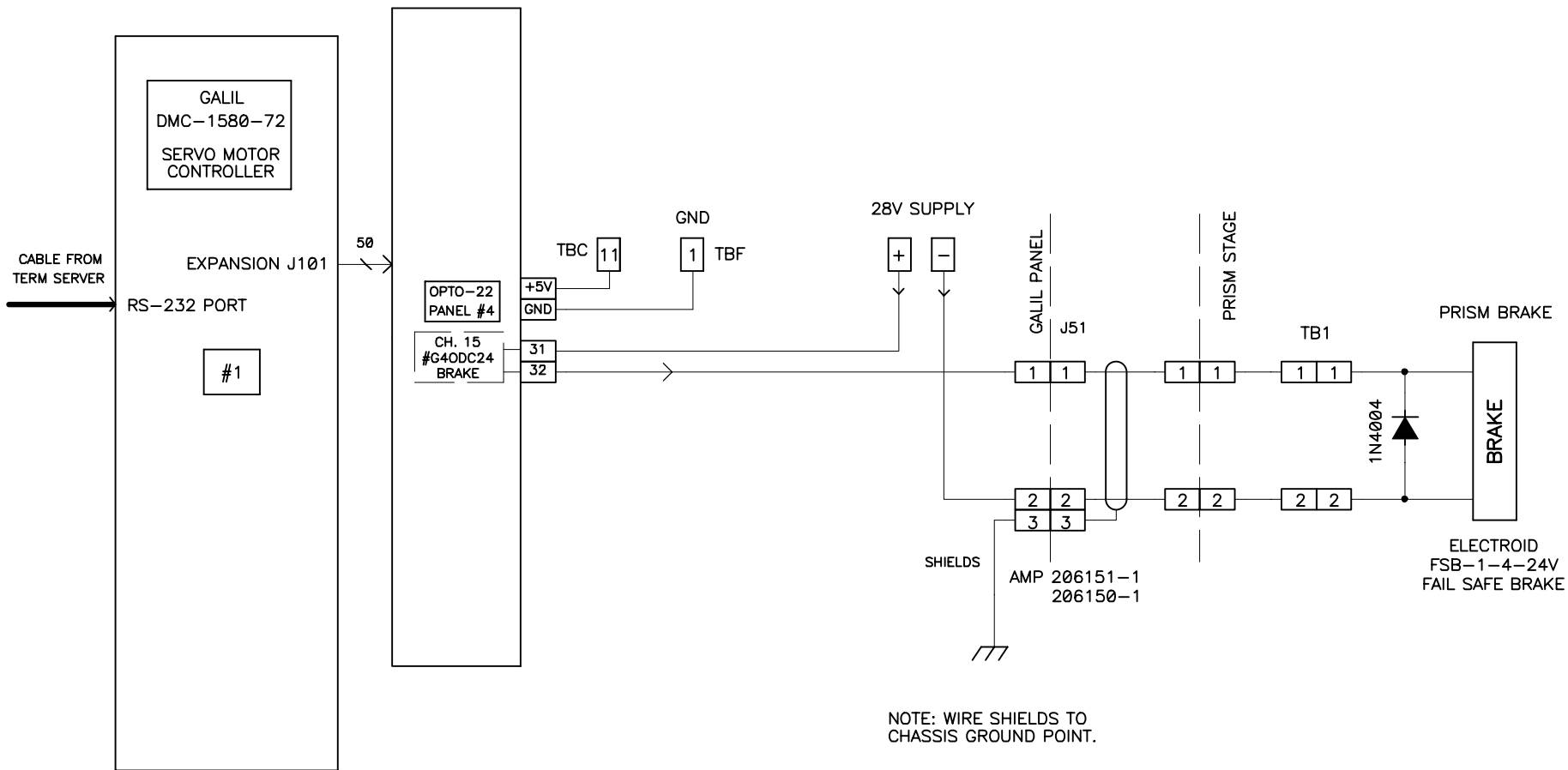
**UNIVERSITY OF CALIFORNIA
LICK OBSERVATORY**

**POST DISPERSION PRISM
STAGE WIRING
ESI SPECTROGRAPH**

REVISION
9-15-97 CORRECTED CONNECTOR NUMBERS
12-10-97 CHANGED CONTROLLER DESIGNATION FROM #1 TO #2
1-16-98 ADDED INTERCONNECT BOX EL NUMBER
1-14-99 SWAPPED PINS 1 AND 2 OF JB2
01-21-00 ADDED SHEET 3 TO CORRECT PRIMARY LIMIT SCHEME

DES'N BY: B. Alcott	ORIGIN DATE: 9-12-97
DRAWN BY:	MODIFY DATE: 01-21-00
PATH: ESI\PRISM	REV. A

DWG. NO.	NUM. 1 OF 3
EL-3366-1L	



UNIVERSITY OF CALIFORNIA
LICK OBSERVATORY

POST DISPERSION PRISM
STAGE WIRING
ESI SPECTROGRAPH

REVISION

01-15-98 CHANGES TO SHAFT BRAKE
02-26-98 Swapped pins on OPTO-22 relay. Corrected controller J64.
7/24/98 SWAPPED RELAY PINS 31 AND 32
10-15-98 ADDED PROTECTION DIODE ACROSS BRAKE COIL
7-26-99 CHANGED LABEL ON RELAY FROM LOCK TO BRAKE

DES'N BY: B. Alcott

ORIGIN DATE: 9-12-97

DWG. NO.

NUM. 2 OF 3

DRAWN BY:

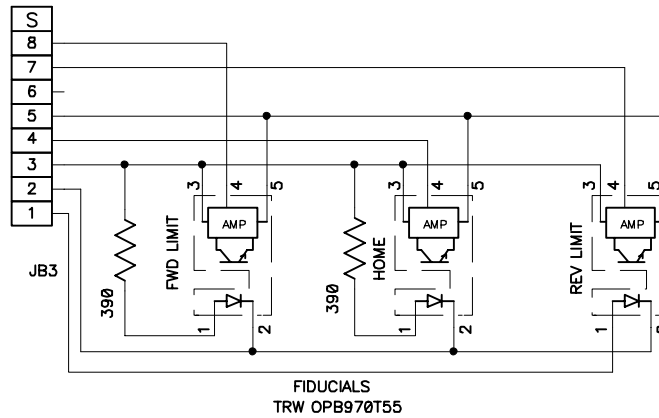
MODIFY DATE: 7-26-99

PATH: ES\PRISM

REV. A

EL-3366-1L

LIMITS LOCATED ON STAGE



REVISION	UNIVERSITY OF CALIFORNIA LICK OBSERVATORY		POST DISPERSION PRISM STAGE WIRING ESI SPECTROGRAPH	
	DES'N BY: B. Alcott	ORIGIN DATE: 9-12-97	DWG. NO.	NUM. 3 OF 3
	DRAWN BY:	MODIFY DATE: 01-21-00	EL-3366-1L	
	PATH:ESI\PRISM	REV. A		