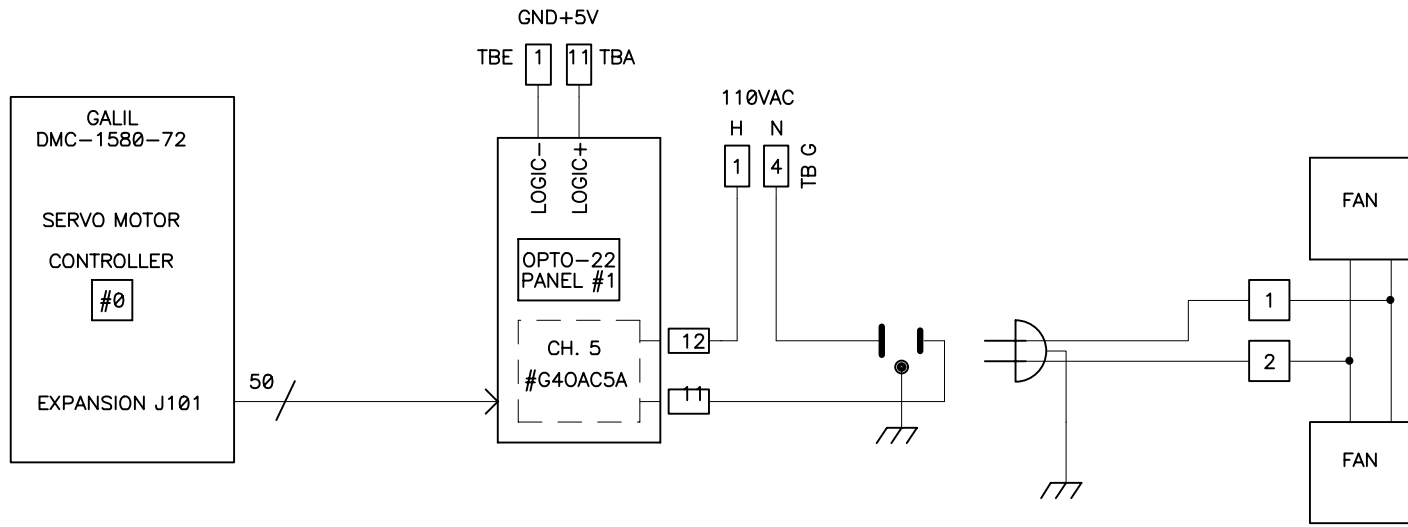
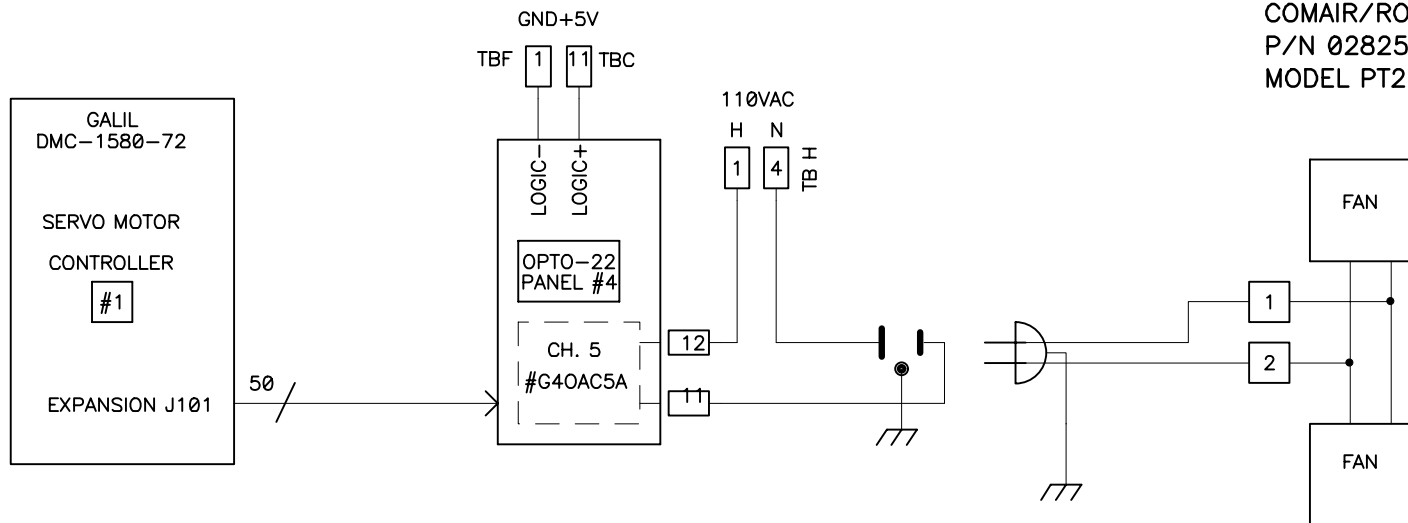


ELECTRONICS
LOCKER #1



ALL FANS ARE
COMAIR/ROTRON
P/N 028254
MODEL PT2B3

ELECTRONICS
LOCKER #2



REVISION

11/18/97 CHANGED CONTROLLER TO #0
03/02/98 Changed fan connection from a TB to a U-gnd power outlet.
7/24/98 CORRECTED EXPANSION CABLE DESIGNATIONS
11/16/98 ADDED FAN CIRCUIT FOR BOX #2

UNIVERSITY OF CALIFORNIA
LICK OBSERVATORY

INSTRUMENT ENCLOSURE FANS CONTROL
ESI SPECTROGRAPH

DES'N BY: B. Alcott

ORIGIN DATE: 4/11/96

DWG. NO.

NUM. 1 OF 1

DRAWN BY:

MODIFY DATE: 11-16-98

PATH: ESINFANS

REV. A

EL-3305-1L