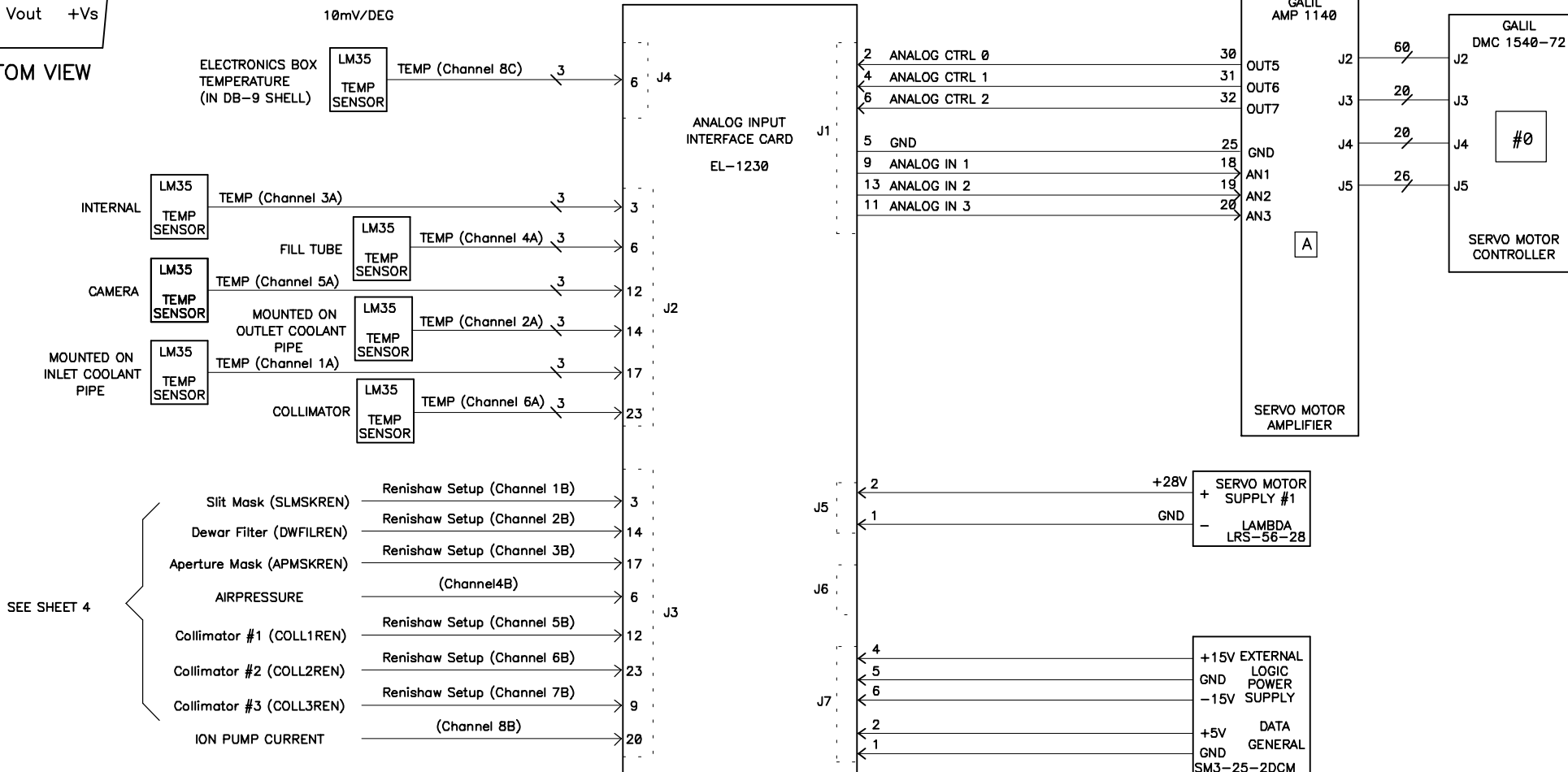


**BOTTOM VIEW**

BOARD MOUNTED ON AND WIRED  
DIRECTLY TO THE AMPLIFIER PANEL



**UNIVERSITY OF CALIFORNIA  
LICK OBSERVATORY**

**ANALOG ENVIRONMENT MONITORING  
CONTROLLER #0  
ESI SPECTROGRAPH**

**REVISION**

|          |   |
|----------|---|
| 11/03/97 | CORRECTED EL-1230 CONNECTOR NUMBERING AND INPUT WIRING          |
| 11/19/97 | COPIED DEIMOS DRAWING   |
| 10/21/98 | ADDED ION PUMP CONTROLLER WIRING                                |
| 11/16/98 | ADDED NOTE AND CHANGED CONTROLLER NUMBER TO INCLUDE BOTH PANELS |
| 05/24/99 | tc ADDED DETAILS TO TEMP CHANNELS                               |
| 07/26/99 | jb ADDED RENISHAW INPUTS  |
| 10-08-99 | ADDED AIR PRESSURE AND ION PUMP CURRENT INPUTS AT 4B AND 8B     |

DES'N BY: **B. Alcott**

ORIGIN DATE: **04/12/98**

DWG. NO.

NUM. 1 OF 4

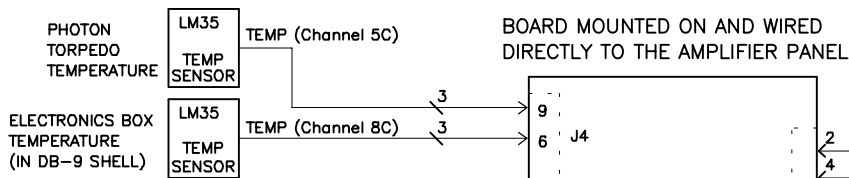
Last SN:

MODIFY DATE: 10-08-99

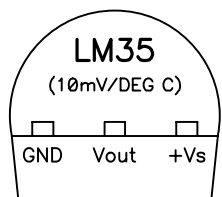
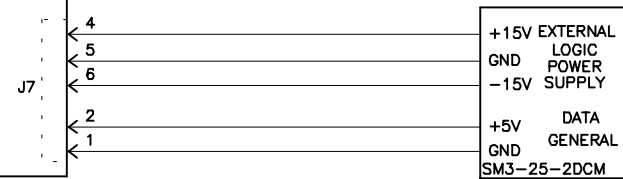
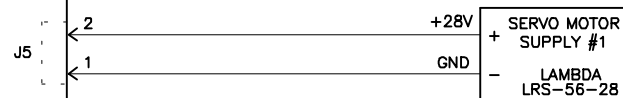
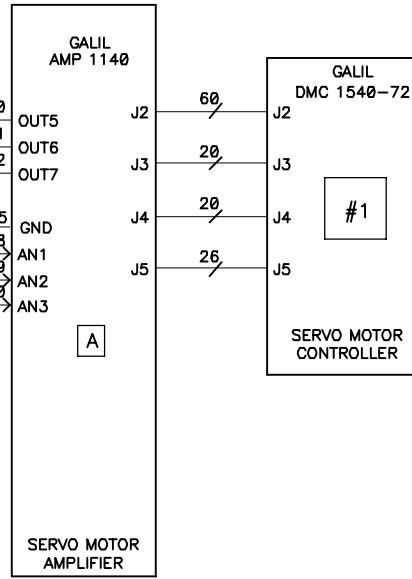
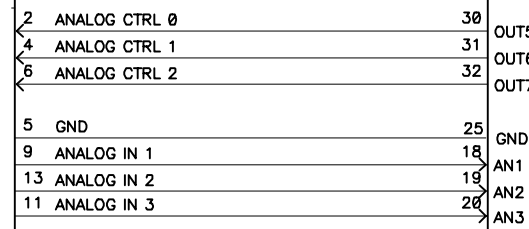
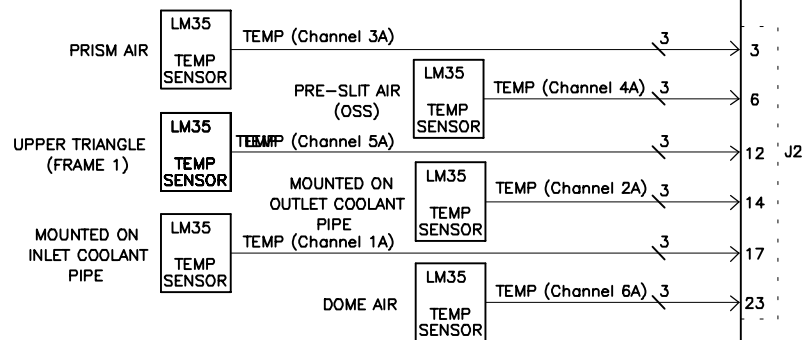
PATH: ESI\ANALIN

REV. A

**EL-3306-1L**



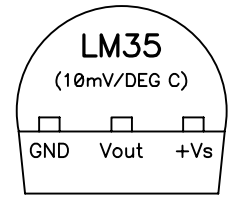
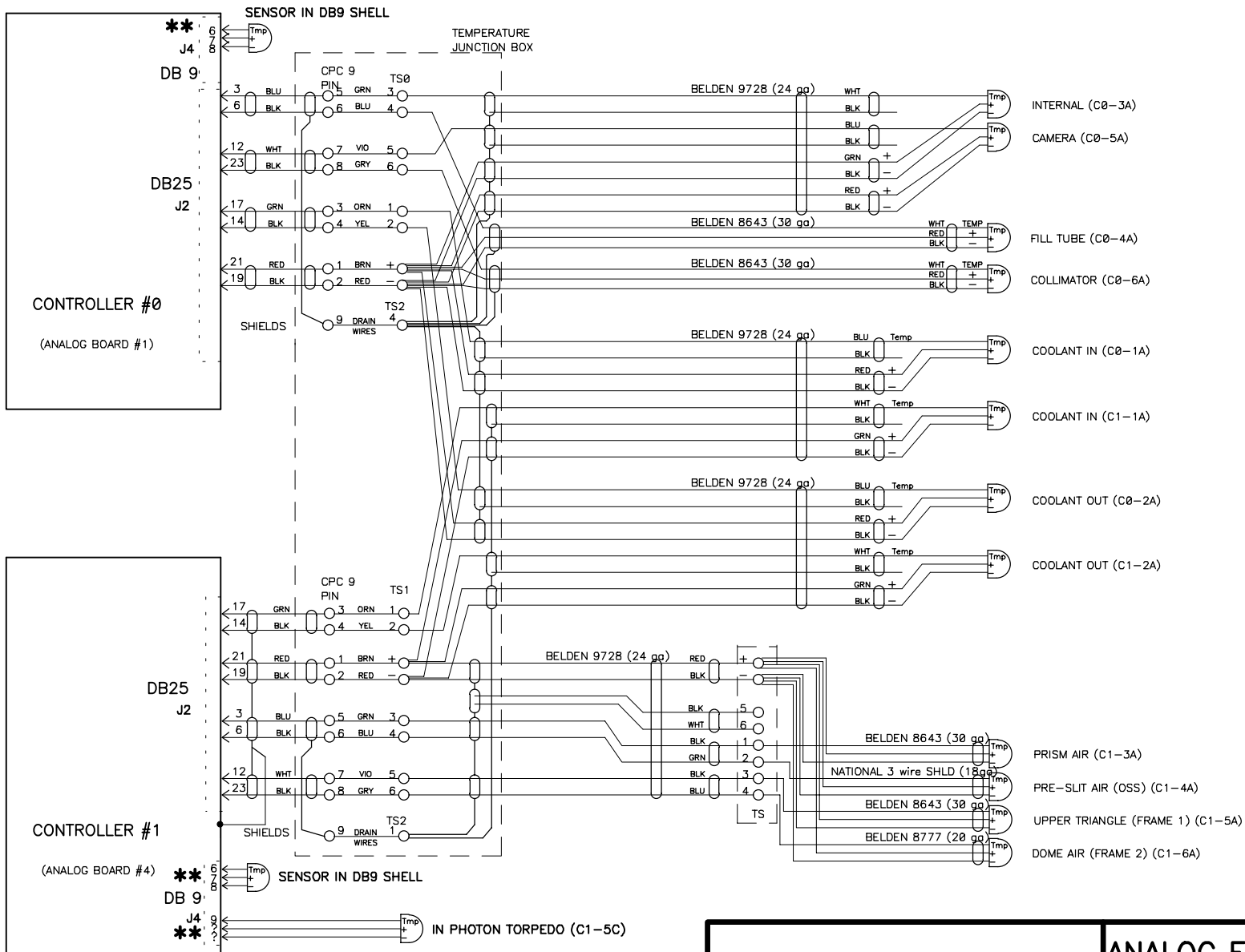
ANALOG INPUT INTERFACE CARD  
EL-1230



BOTTOM VIEW

REVISION

|  |                       |  |             |
|--|-----------------------|--|-------------|
| UNIVERSITY OF CALIFORNIA<br>LICK OBSERVATORY |                       | ANALOG ENVIRONMENT MONITORING<br>CONTROLLER #1<br>ESI SPECTROGRAPH |             |
| DES'N BY: B. Alcott                          | ORIGIN DATE: 04/12/98 | DWG. NO.   | NUM. 2 OF 4 |
| Last SN:                                     | MODIFY DATE: 05/24/99 | EL-3306-1L   |             |
| PATH: ESIVANALIN                             | REV. A                |  |             |



BOTTOM VIEW

UNIVERSITY OF CALIFORNIA  
LICK OBSERVATORY

ANALOG ENVIRONMENT MONITORING  
ESI SPECTROGRAPH

REVISION

9-29-99 LABELED SENSOR CONNECTED TO J4 PIN-9  
9-29-99 \*\*PIN NUMBERS ARE WRONG ON THIS DRAWING. CHECK AT KECK FOR ACTUAL WIRING. S/B: GROUPS OF THREE: 1,2,3 - 4,5,6 - 7,8,9

DES'N BY: B. Alcott

ORIGIN DATE: 04/12/98

DWG. NO.

NUM. 3 OF 4

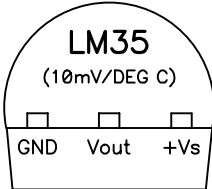
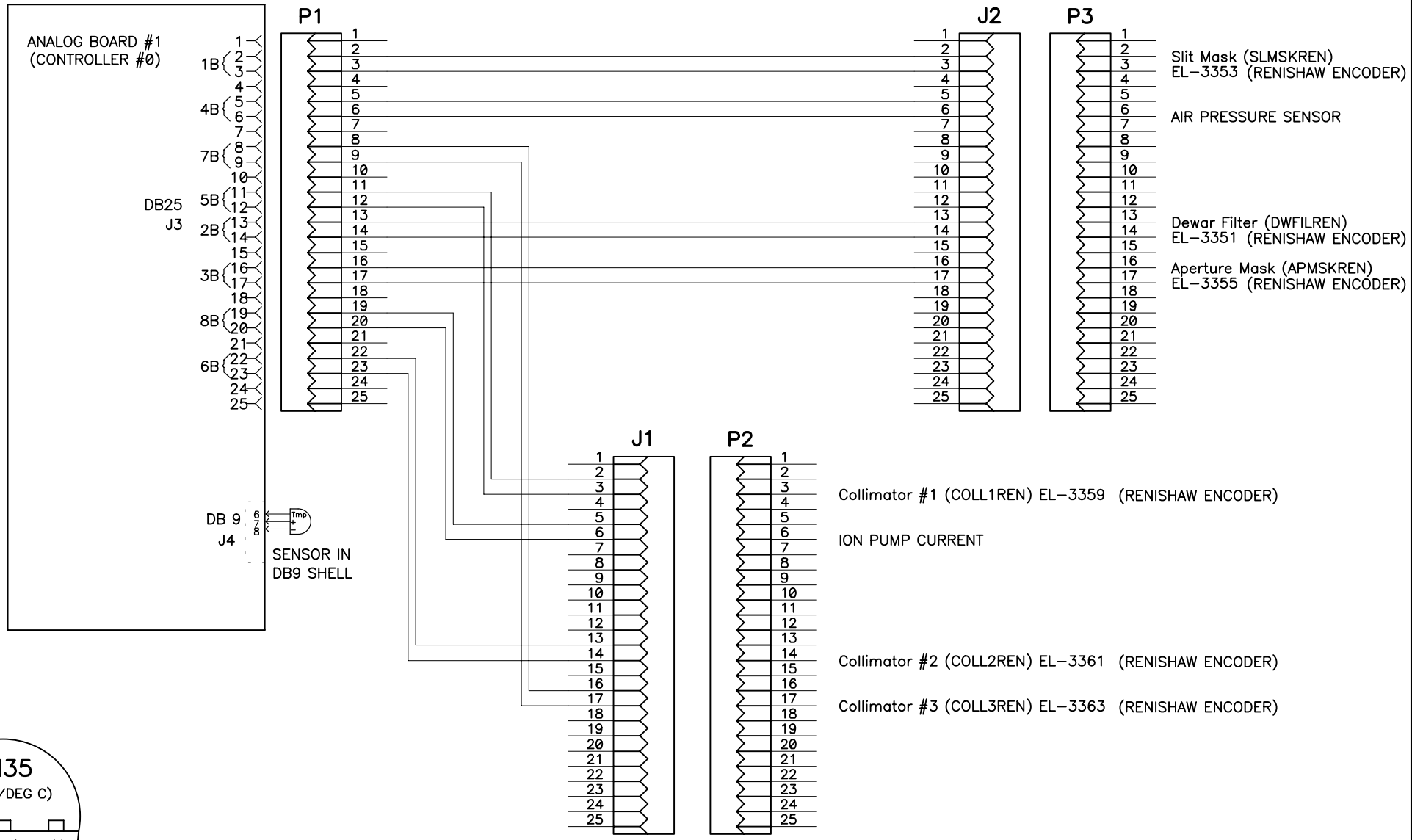
Last SN:

MODIFY DATE: 9-29-99

PATH: ESI\ANALIN

REV. A

EL-3306-1L



BOTTOM VIEW

REVISION

07/27/99 THIS SHEET ORIGINATED  
 10-08-99 ADDED AIR PRES. AND ION PUMP CURRENT INPUTS TO CHANNELS 4B AND 8B

UNIVERSITY OF CALIFORNIA  
 LICK OBSERVATORY

ANALOG RENISHAW MONITORING  
 "Y" CABLE SPLITTER  
 ESI SPECTROGRAPH

DES'N BY: B. Alcott  
 ORIGIN DATE: 04/12/98  
 Last SN:  
 MODIFY DATE:  
 PATH: ESI\ANALIN  
 REV. A

DWG. NO. NUM. 4 OF 4  
 EL-3306-1L