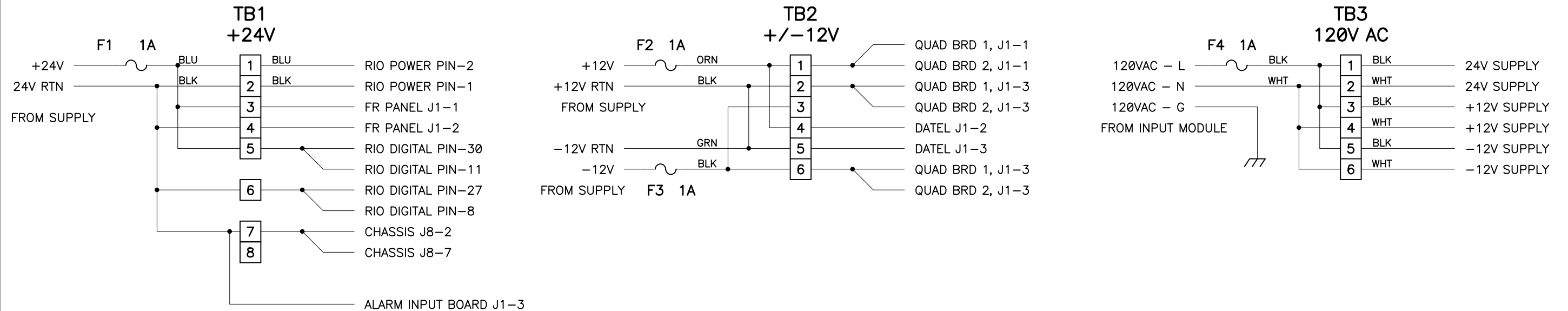


GALIL RIO DBH26 CABLE

1	N/C	—	10	N/C	—	19	N/C	—
2	N/C	—	11	N/C	—	20	N/C	—
3	AI7	QUAD BRD 2, J2-4	12	GND	QUAD BRD 2, J2-14, 15, 16, 17	21	AI6	QUAD BRD 2, J2-3
4	AI4	QUAD BRD 2, J2-1	13	AI5	QUAD BRD 2, J2-2	22	AI3	QUAD BRD 1, J2-4
5	AI1	QUAD BRD 1, J2-2	14	AI2	QUAD BRD 1, J2-3	23	AI0	QUAD BRD 1, J2-1
6	GND	QUAD BRD 1, J2-14, 15, 16, 17	15	GND	—	24	A07	—
7	A05	—	16	A06	—	25	A04	—
8	A02	—	17	A03	—	26	A01	—
9	GND	DATEL METER J1-3	18	A00	DATEL METER J1-1			

POWER SUPPLY AND AC TERMINAL STRIP WIRING



REVISIONS [http://loel.ucolick.org/manual/Dewar Farm/schematics/DMS_wiring_sh_3 .pdf](http://loel.ucolick.org/manual/Dewar Farm/schematics/DMS_wiring_sh_3.pdf)
 07-15-11 ADDED WIRE TO TB1 PIN-7 TO SUPPLY 24V TO ALARM INPUT BOARD

UNIVERSITY OF CALIFORNIA LICK OBSERVATORY		DEWAR MONITOR SYSTEM WIRING DIAGRAM	
DES'N BY: B Alcott	ORIGIN DATE: 03-28-11	DWG. NO.	NUM. 3 OF 3
Last SN	MODIFY DATE: 07-15-11	EL-5011	REV. A
PRINT TIME: 09:51:14	PRINT DATE: Fri Jul 15, 2011		
PATH: DewarFarm\		DMS_wiring.sch	