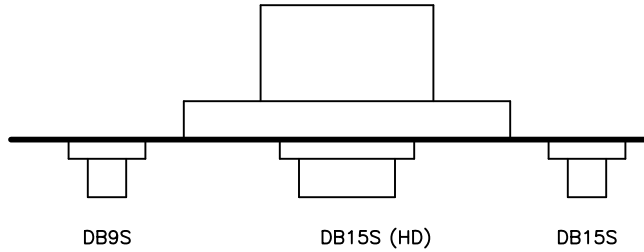
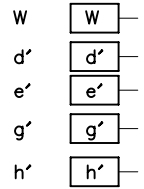


MS3122E18-32S MOUNTED TO BOARD TOP

DUAL ENCODER BOARD

THIS BOARD LIVES ON SPECTROGRAPH

UNUSED

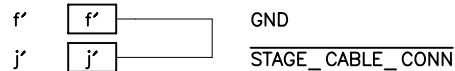
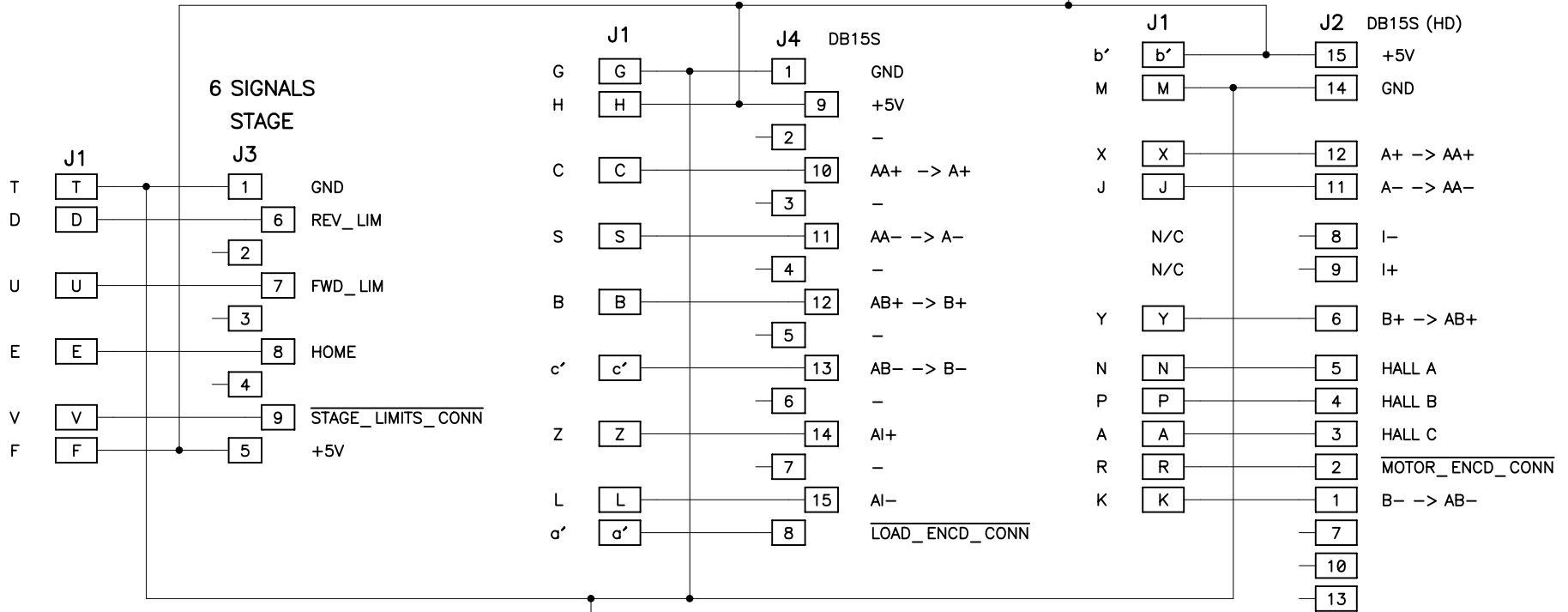


MOUNTED TO BOARD BOTTOM

9 SIGNALS
AUX ENCODER

+5V

10 SIGNALS
MOTOR ENCODER



UNIVERSITY OF CALIFORNIA LICK OBSERVATORY		APF STAGE BREAKOUT BOARD 1C	
DES'N BY: B. Alcott	ORIGIN DATE: 02-02-06	DWG. NO.	NUM. OF 1
Last SN	MODIFY DATE:	EL-1399	REV. B
PRINT TIME: 15:10:15	PRINT DATE: Tue May 23, 2006		
PATH: /APF/boards/Breakout_Board_1C		stage_breakout_1c_revB.sch	

REVISION

05-23-06 REV. B - BAD PART LAYOUT ON BOARD. CHANGED HD-DB15 PIN NUMBERS