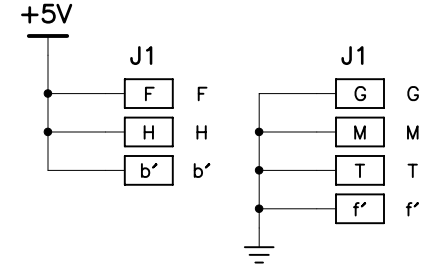
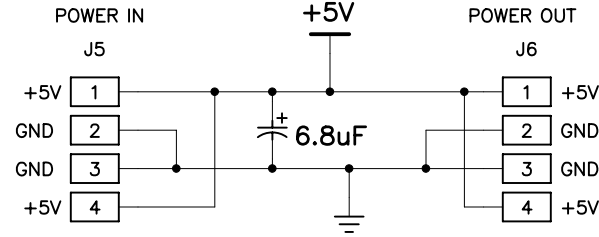
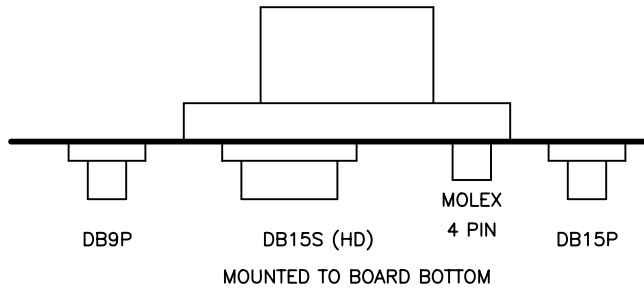
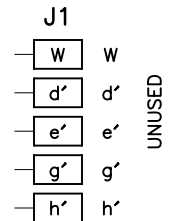
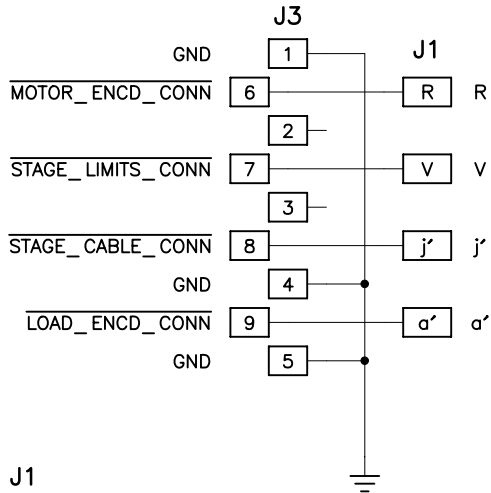


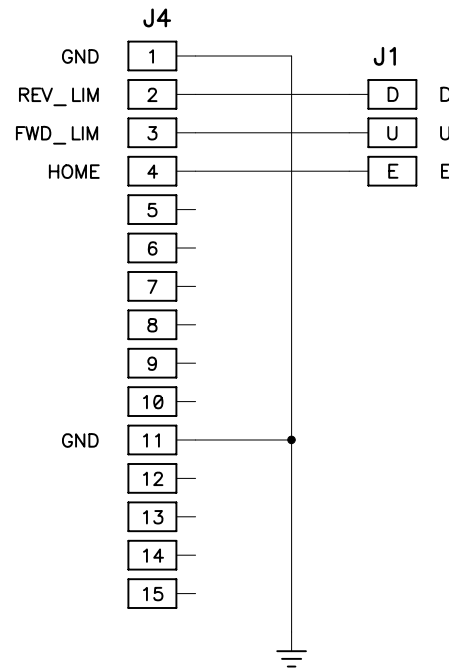
MS3122E22-32S MOUNTED TO BOARD TOP



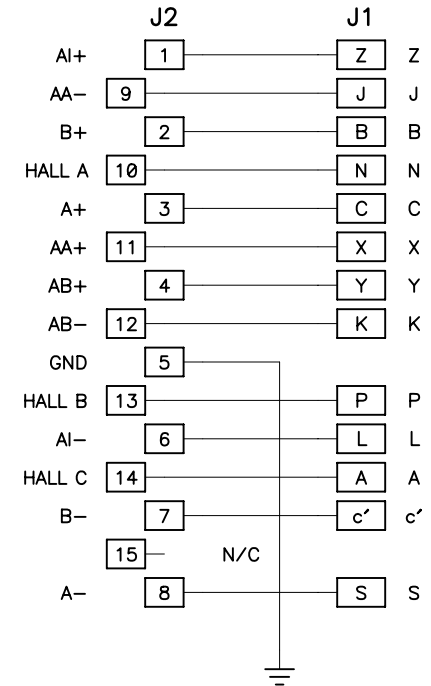
GENERAL I/O



STAGE LIMITS



ENCODERS



THIS BOARD LIVES IN ELECTRONICS RACK

UNIVERSITY OF CALIFORNIA
LICK OBSERVATORY

APF STAGE
BREAKOUT BOARD 1B

REVISION

01-17-06 UPDATED J1 PIN DUE TO NEW MS CONNECTOR(WAS MS18-32, IS MS22-32)

DES'N BY: B. Alcott

ORIGIN DATE: 08-23-0

DWG. NO.

NUM. OF 1

Last SN

MODIFY DATE: 01-17-06

EL-1388

REV.
A

PRINT TIME: 09:19:19

PRINT DATE: Wed Feb 22, 2006

PATH: /APF/boards/Breakout_Board_1B

stage_breakout_1B.SCH