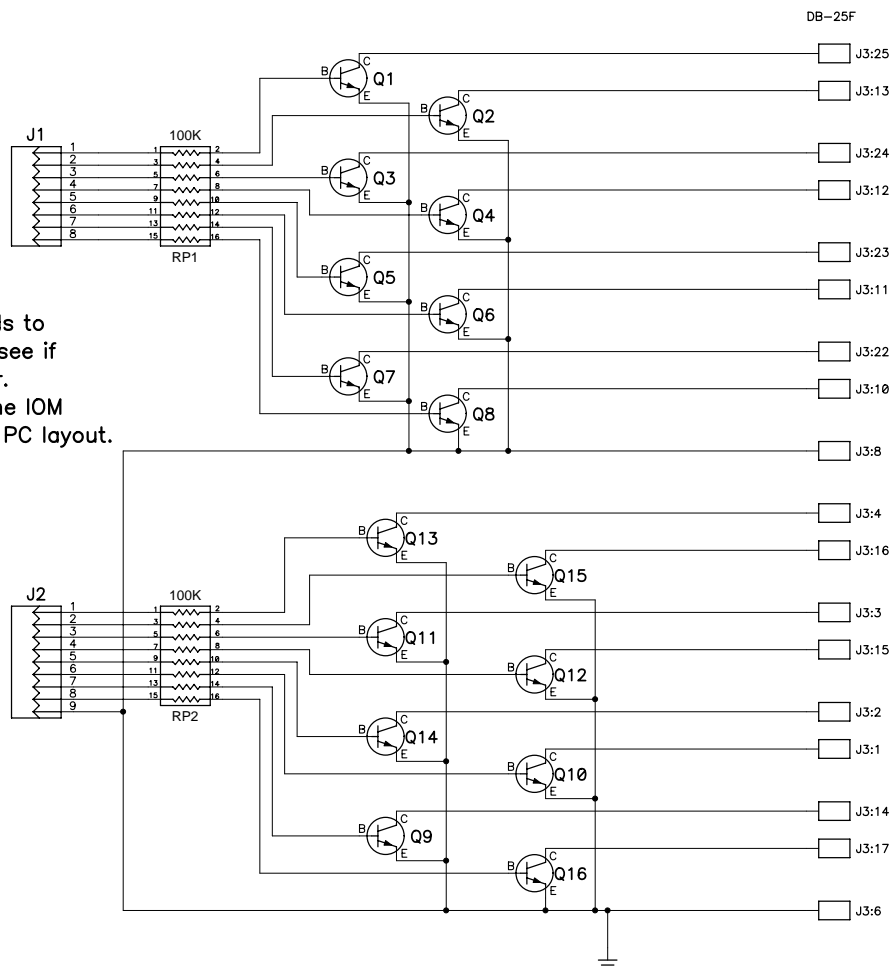


Change transistor pads to 3-in-a-row style to see if that packages smaller.
Also leave room for the IOM mounting hole on the PC layout.



Inputs	Outputs
2-6	1
2-5	2
2-3	3
2-1	4
2-9	6
2-9	8
1-8	10
1-6	11
1-4	12
1-2	13
2-7	14
2-4	15
2-2	16
2-8	17
1-7	22
1-5	23
1-3	24
1-1	25

Inputs	Outputs
1-1	25
1-2	13
1-3	24
1-4	12
1-5	23
1-6	11
1-7	22
1-8	10
2-1	4
2-2	16
2-3	3
2-4	15
2-5	2
2-6	1
2-7	14
2-8	17
2-9	6
2-9	8

Q1-Q16 = 2N4401
J1 = Molex 22-12-2084 Right Angle
J2 = Molex 22-12-2094 Right Angle
J3 = DB25 Right Angle

REVISIONS

Libraries Used
Ted: Input Conn, ResistorPack
Trans: 2N4401
Discrete: GND
Barry: DB25 Conn

UNIVERSITY OF CALIFORNIA LICK OBSERVATORY		16 Channel Output Driver Galil IOM1964	
DES'N BY: Ted Cantrall	ORIGIN DATE: 01/25/2006	DWG. NO.	NUM. 1 OF 1
Last SN 3	MODIFY DATE:	EL-1396	REV. A
PRINT TIME: 09:16:37	PRINT DATE: Wed Feb 22, 2006		
PATH: General\GalilSupport		EL-1396_IOM1964_OutputDriver.sch	