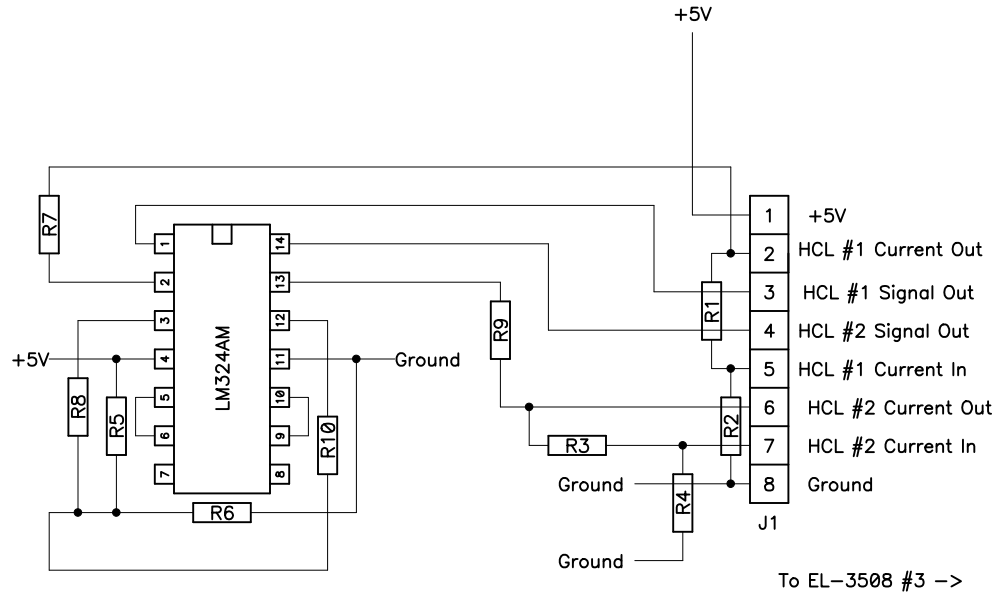


R1	47
R2	1K
R3	47
R4	1K
R5	220K
R6	1K
R7	1K
R8	1K
R9	1K
R10	1K



UNIVERSITY OF CALIFORNIA
LICK OBSERVATORY

EL-3520 Board Layout

REVISION

DES'N BY: Ken Dietsch

ORIGIN DATE: 01-27-06

DWG. NO.

NUM. 2 OF 2

Last SN

MODIFY DATE:

EL-3520

REV.
B

PRINT TIME: 14:03:54

PRINT DATE: Wed Oct 05, 2011

PATH: APF/

APF_HCL_Lamp_Monitor.sch