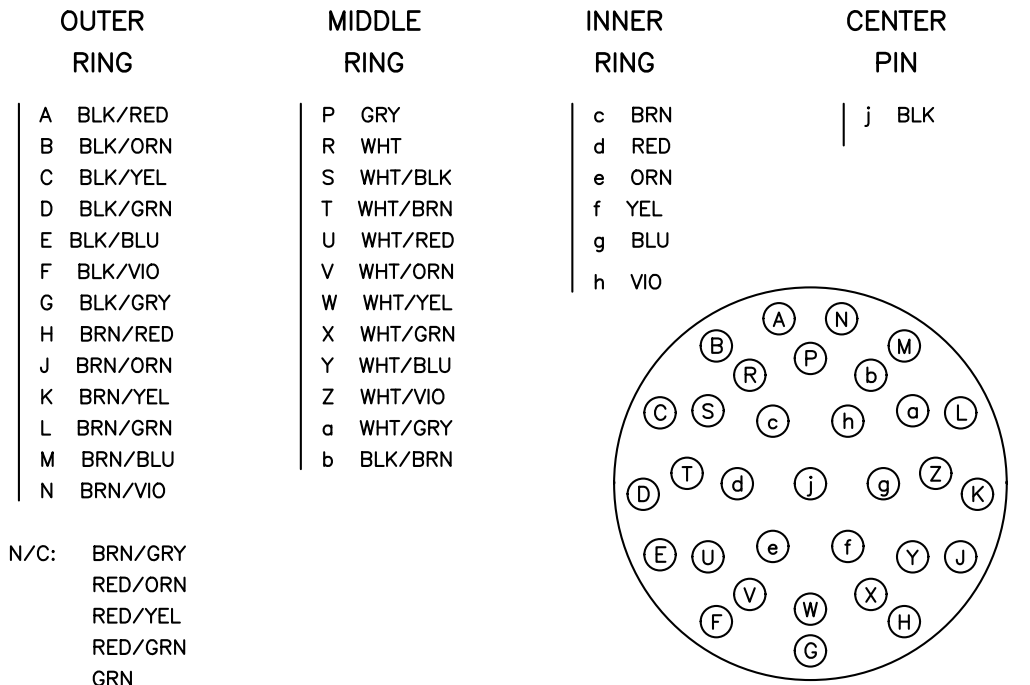
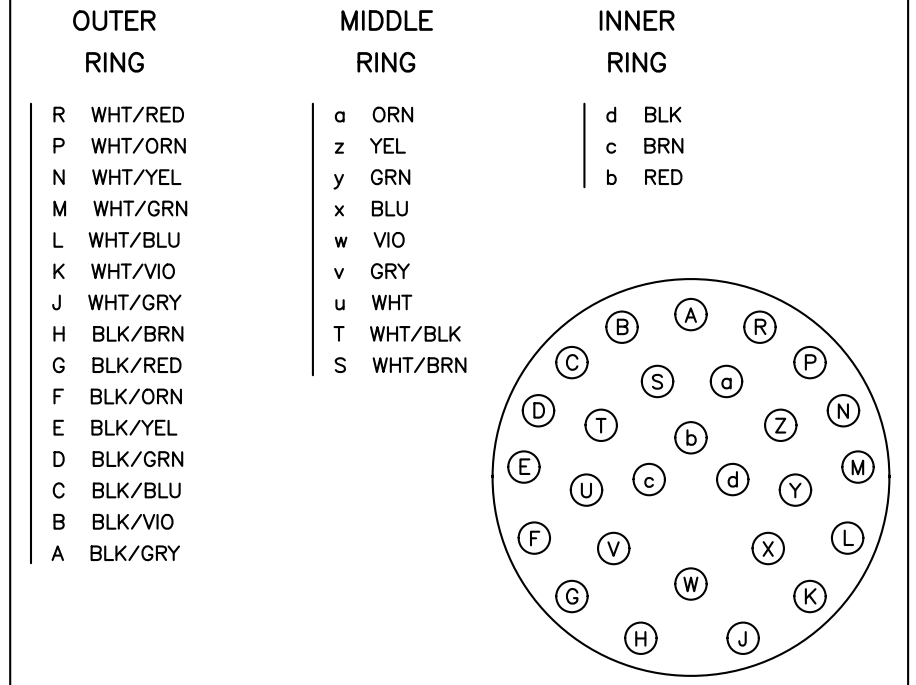


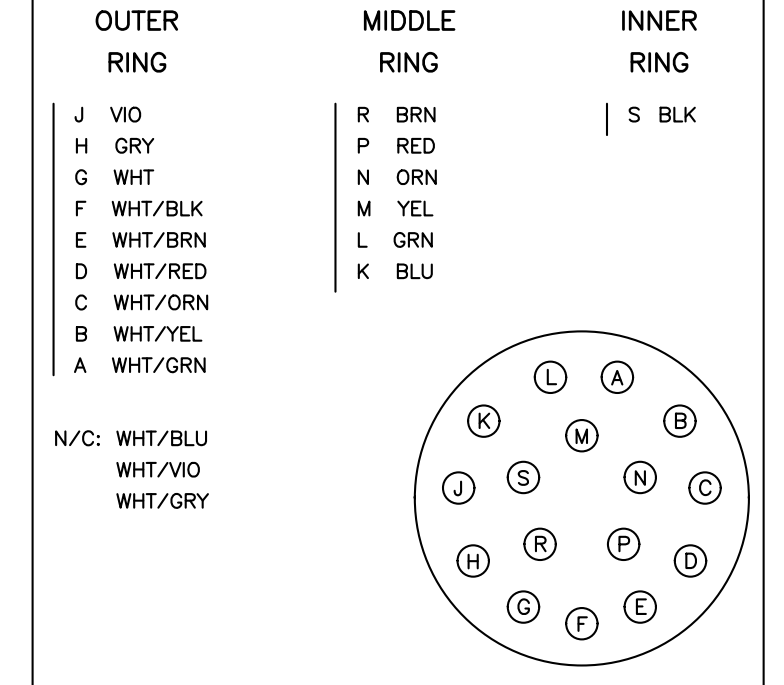
STAGE SIGNAL CABLE WIRING
MS22-32



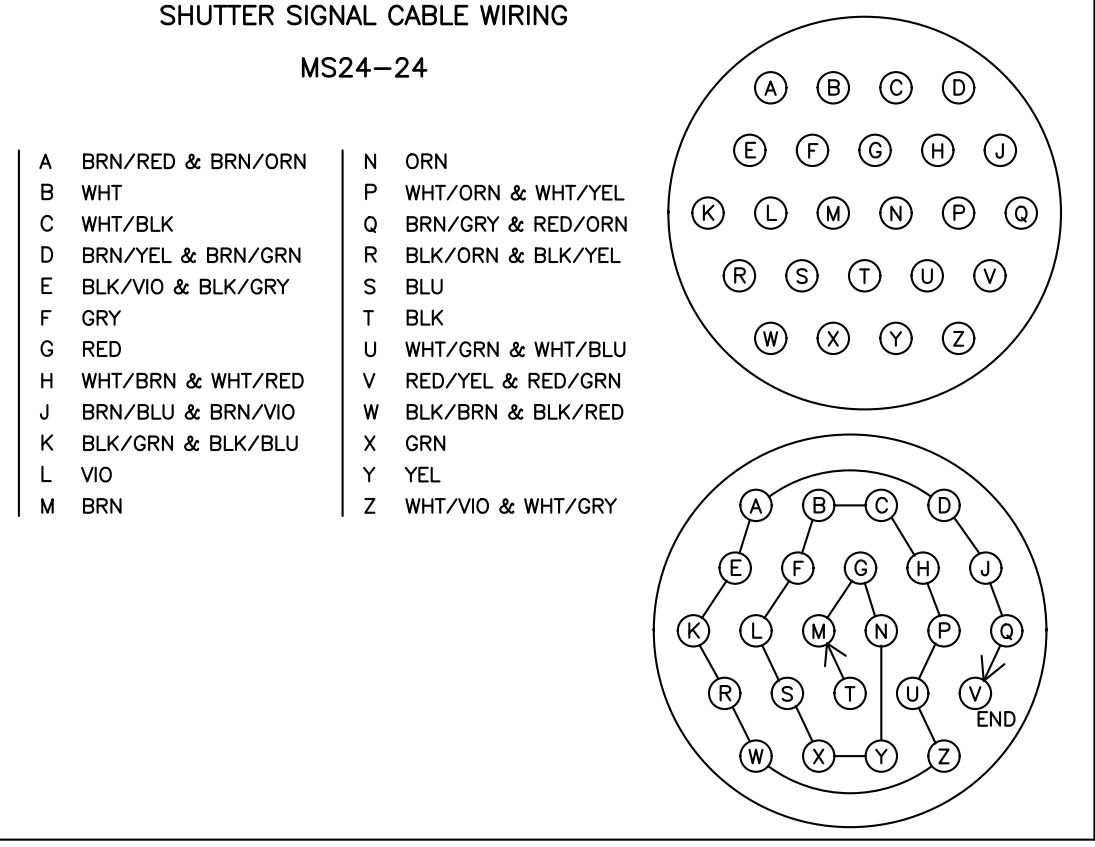
STAGE MOTOR CABLE WIRING
MS20-27



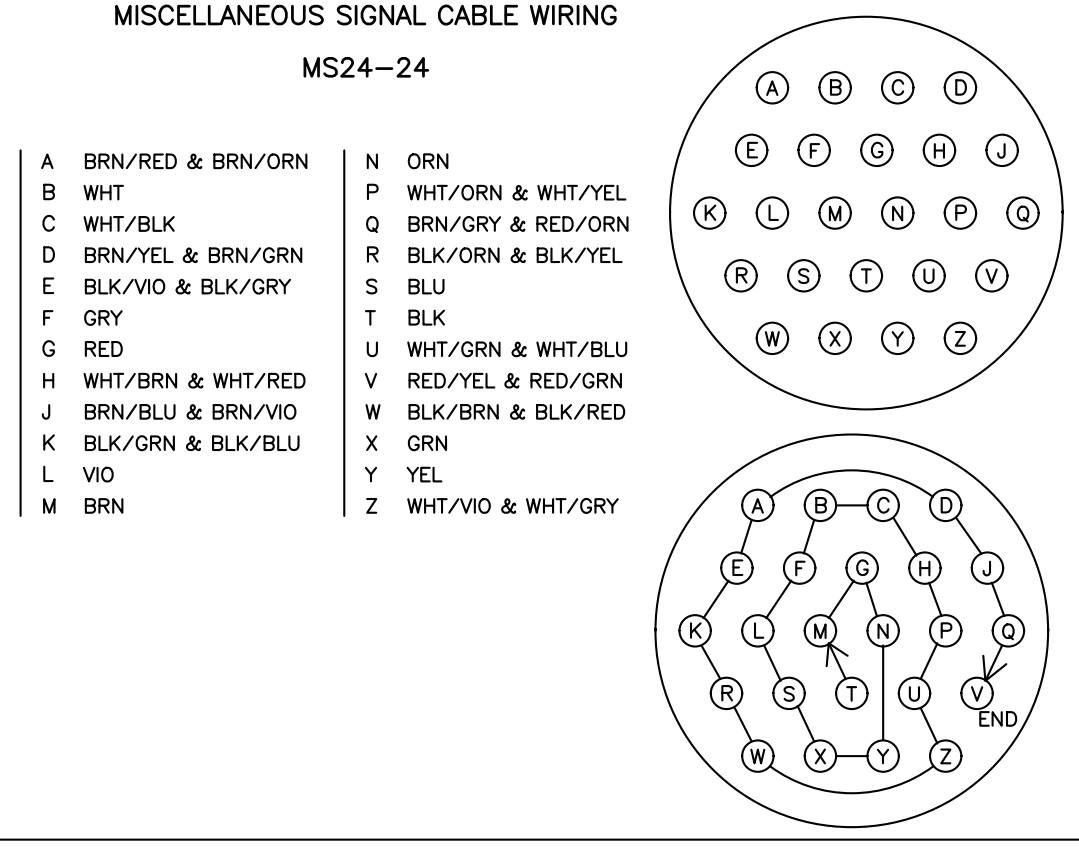
CALIBRATION LAMP CABLE WIRING
MS20-16



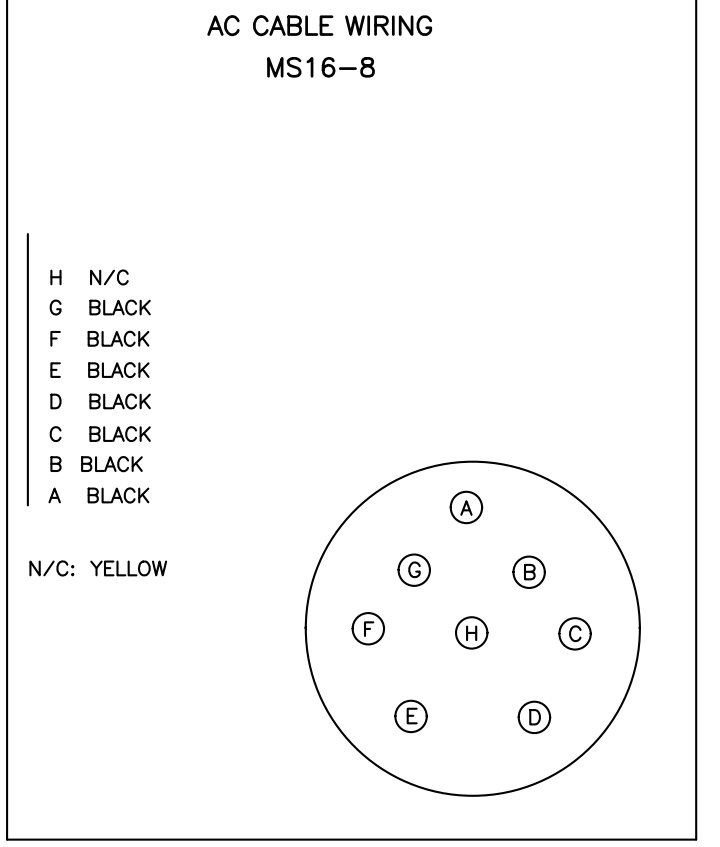
SHUTTER SIGNAL CABLE WIRING
MS24-24



MISCELLANEOUS SIGNAL CABLE WIRING
MS24-24



AC CABLE WIRING
MS16-8



NOTE: THE SHUTTER AND MISC. CABLE CONNECTORS ARE THE SAME TYPE BUT OPPOSITE GENDERS

http://loel.ucolick.org/manual/APF/schematics/APF_stage_cable_sh_9.pdf

REVISIONS

05-17-06 ADDED THIS SHEET
12-13-06 ADDED SHUTTER AND MISCELLANEOUS SIGNAL CABLE INFO
03-20-08 AC CABLE WIRING (NEW SHEET FROM #9 TO #10)

UNIVERSITY OF CALIFORNIA
LICK OBSERVATORY

APF
STAGE CABLES

DES'N BY: B. Alcott

ORIGIN DATE: 04-01-05

DWG. NO.

NUM. 9 OF 12

Last SN

MODIFY DATE: 04-22-10

PRINT TIME: 14:41:40

PRINT DATE: Fri Jan 21, 2011

EL-3506

REV.
A

PATH: APF\

APF_stage_cables.sch