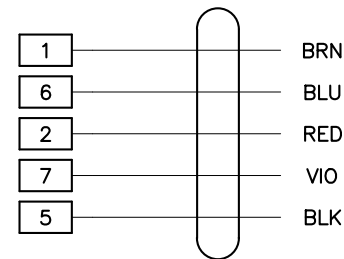
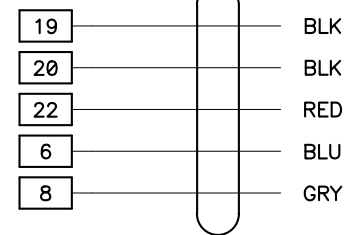


BACK PANEL

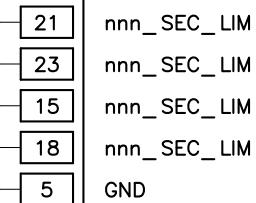
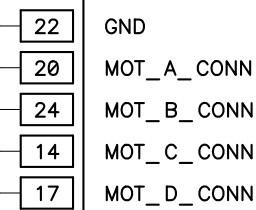
DB37

J13



DB25

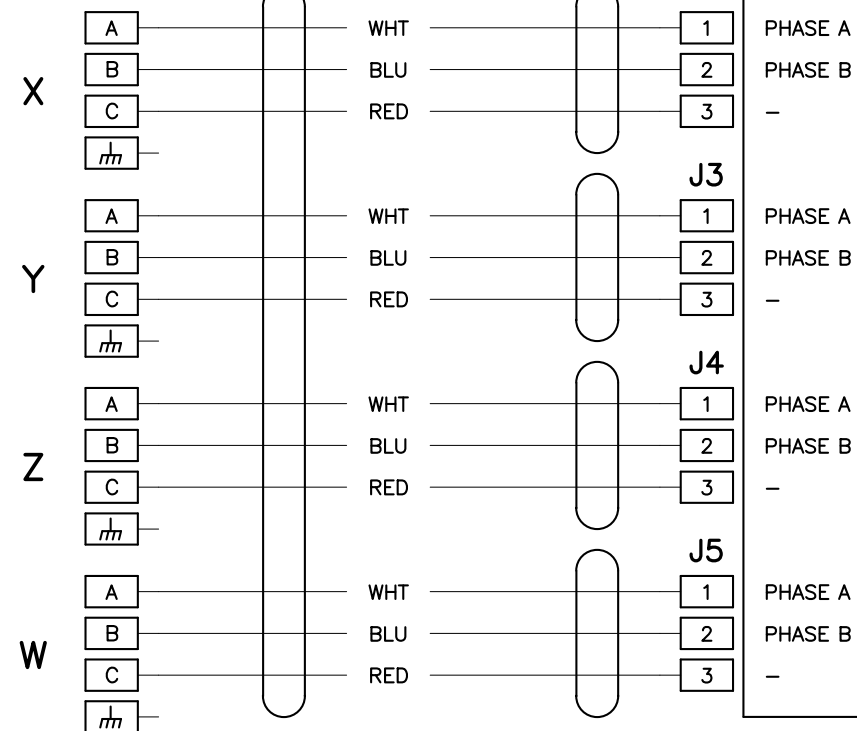
J6



MOTOR 1

MOTOR BREAKOUT BOARD EL-1390

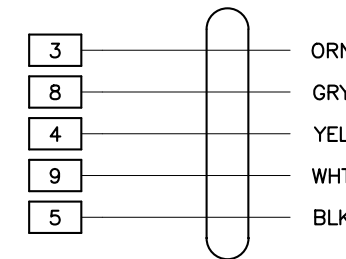
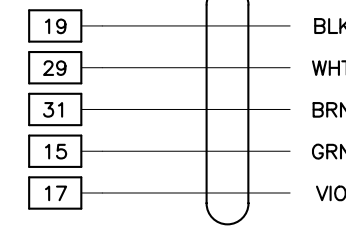
AMPLIFIER MOTOR CONNECTORS



BACK PANEL

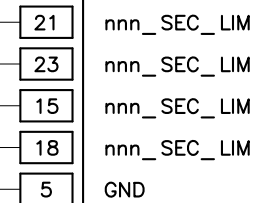
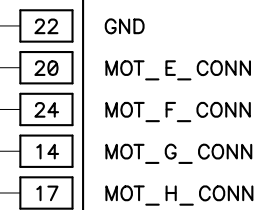
DB37

J13



DB25

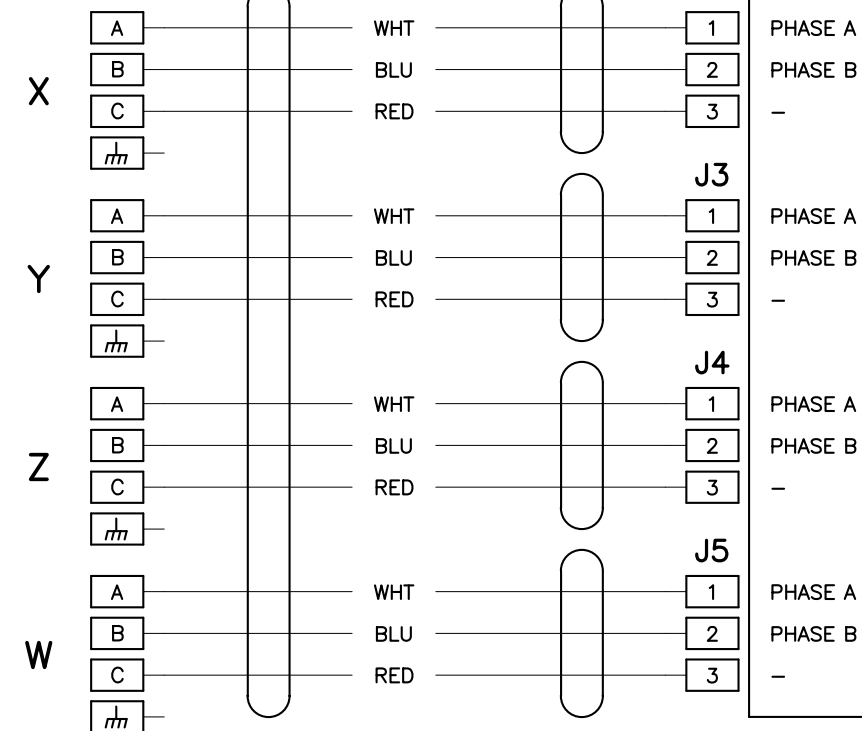
J6



MOTOR 2

MOTOR BREAKOUT BOARD EL-1390

AMPLIFIER MOTOR CONNECTORS



REVISIONS

05-15-06 ADDED THIS SHEET
 04-22-10 REMOVED LABELS FOR PHASE C (BRUSHLESS MOTORS ONLY). SWAPPED ELEC. RACK AND SPECTRO. COLUMNS.
 05-06-10 RENAMED VARIOUS SIGNALS FOR UNIFORMITY ON ALL SCHEMATICS

http://loel.ucolick.org/manual/APF/schematics/APF_stage_cable_sh_5.pdf

UNIVERSITY OF CALIFORNIA LICK OBSERVATORY		APF STAGE CABLES	
DES'N BY: B. Alcott	ORIGIN DATE: 04-01-05	DWG. NO.	NUM. 5 OF 12
Last SN	MODIFY DATE: 05-06-10	EL-3506	REV. A
PRINT TIME: 14:40:38	PRINT DATE: Fri Jan 21, 2011		APF_stage_cables.sch
PATH: APF\			