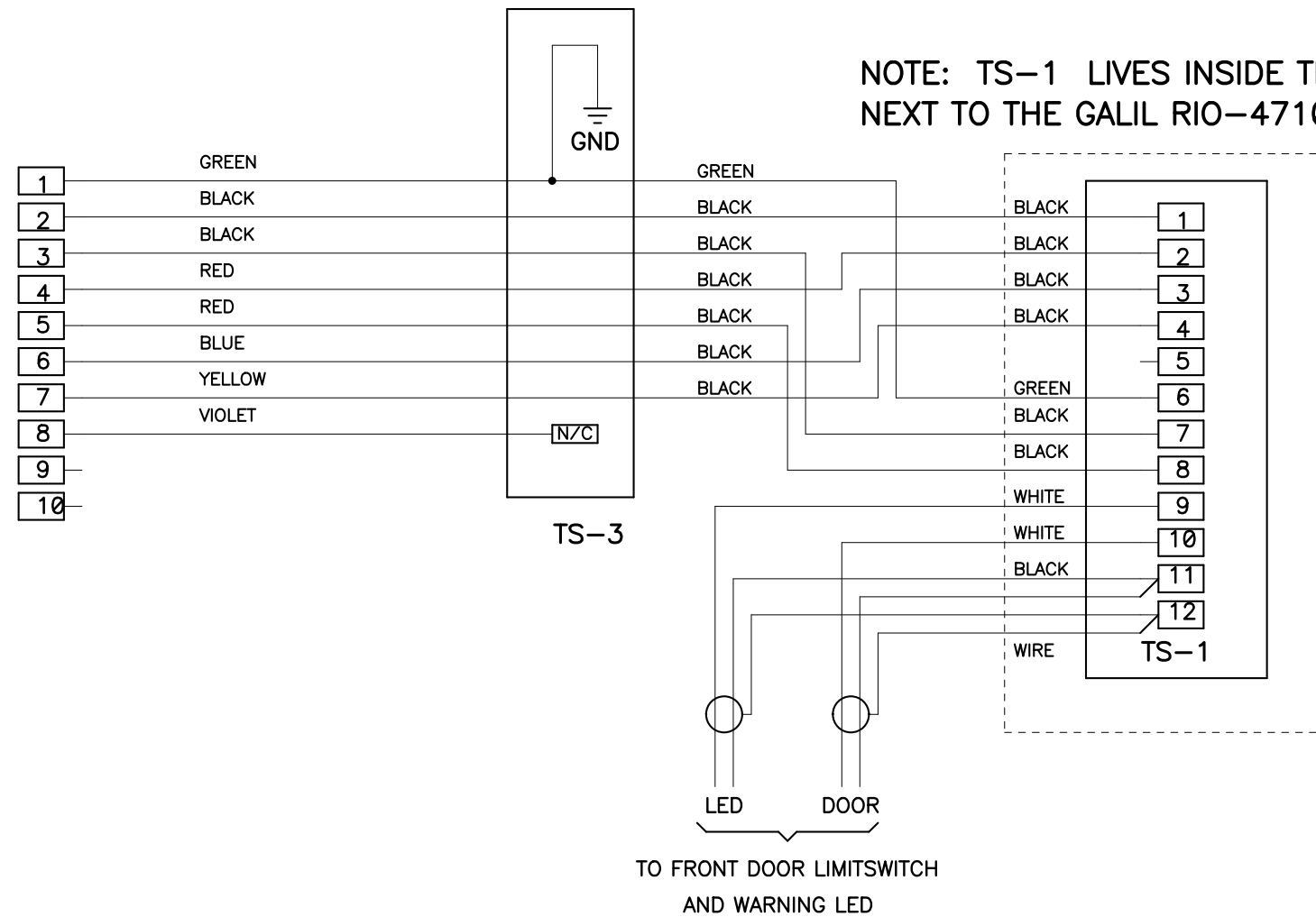


JUNCTION BOX ON OUTSIDE OF DOME

NOTE: TS-1 LIVES INSIDE THE DOME
NEXT TO THE GALIL RIO-47102.

SEE PAGE 3 FOR OTHER HALF
OF CONNECTOR TS-4.
NOTE: TS-4 IS OUTSIDE THE DOME

SEE PAGE 2 FOR OTHER HALF
OF CONNECTOR TS-1



B

REVISIONS	http://loel.ucolick.org/manual/Apf/schematics/AAPF_multistack_monitor_sh_4 .pdf
06-07-13 ADDED THIS PAGE AND MOVED THIS PORTION OF SCHEMATIC FROM PAGE 3	

UNIVERSITY OF CALIFORNIA LICK OBSERVATORY		APF MULTISTACK DOME CHILLER MONITOR CHILLER TO DOME WIRING	
DES'N BY: M.SAYLOR	ORIGIN DATE: 07-21-09	DWG. NO.	NUM. 4 OF 4
Last SN	MODIFY DATE: 06/07/13	EL-3522	REV. A
PRINT TIME: 16:33:30	PRINT DATE: Fri Jun 07, 2013		
PATH: APF\		APF_multistack_monitor-b.sch	