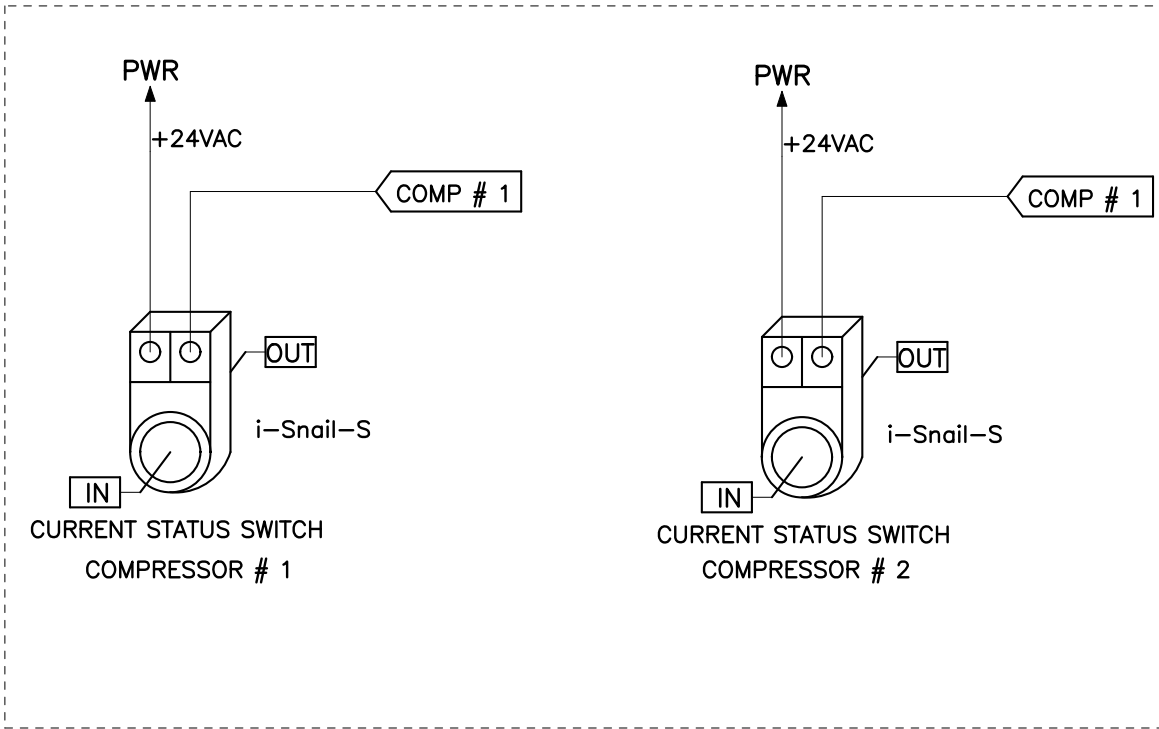
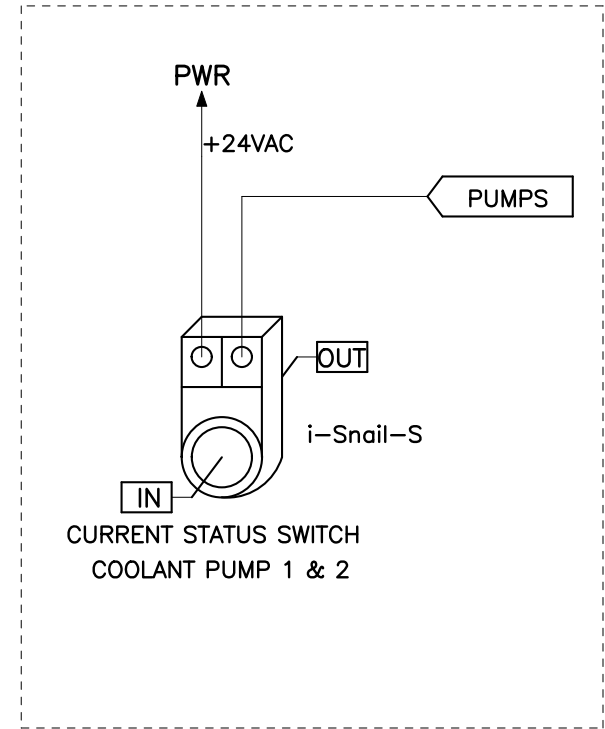


NOTE: ALL WIRING SHOWN IS OUTSIDE OF THE DOME IN THE MULTISTACK CHILLER

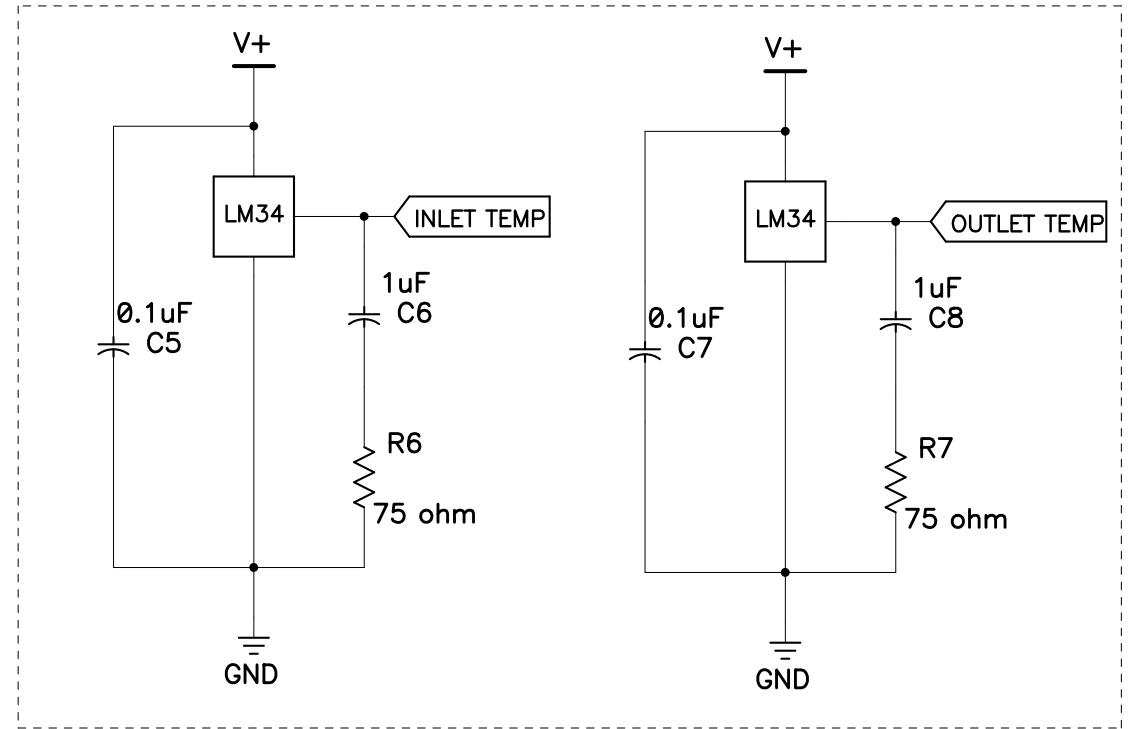
SEE PAGE 4 FOR OTHER HALF OF CONNECTOR TS-4



CHILLER



PUMP PACKAGE



PROPOSED LM35 SENSORS ON DOME CHILLER LINES  
THESE COULD BE PLACED INSIDE THE DOME

<b>REVISIONS</b> 08-13-09 UPDATED SCHEMATIC TO REFLECT INSTALATION DONE ON 8-12-09 08-18-11 MOVED BLACK WIRES AND ADDED DOOR LIMITSWITCH AND WARNING LED TO TS-1 06-07-13 ADDED INDUCTIVE SWITCHES		<a href="http://loel.ucolick.org/manual/Apf/schematics/AAPF_multistack_monitor_sh_3.pdf">http://loel.ucolick.org/manual/Apf/schematics/AAPF_multistack_monitor_sh_3 .pdf</a>	
---	--	--	--

UNIVERSITY OF CALIFORNIA LICK OBSERVATORY		APF MULTISTACK DOME CHILLER MONITOR INDUCTIVE SWITCHES	
DES'N BY: M.SAYLOR	ORIGIN DATE: 07-21-09	DWG. NO.	NUM. 3 OF 4
Last SN	MODIFY DATE: 06/07/13	EL-3522	REV. A
PRINT TIME: 16:32:46	PRINT DATE: Fri Jun 07, 2013		
PATH: APF\		APF_multistack_monitor-b.sch	