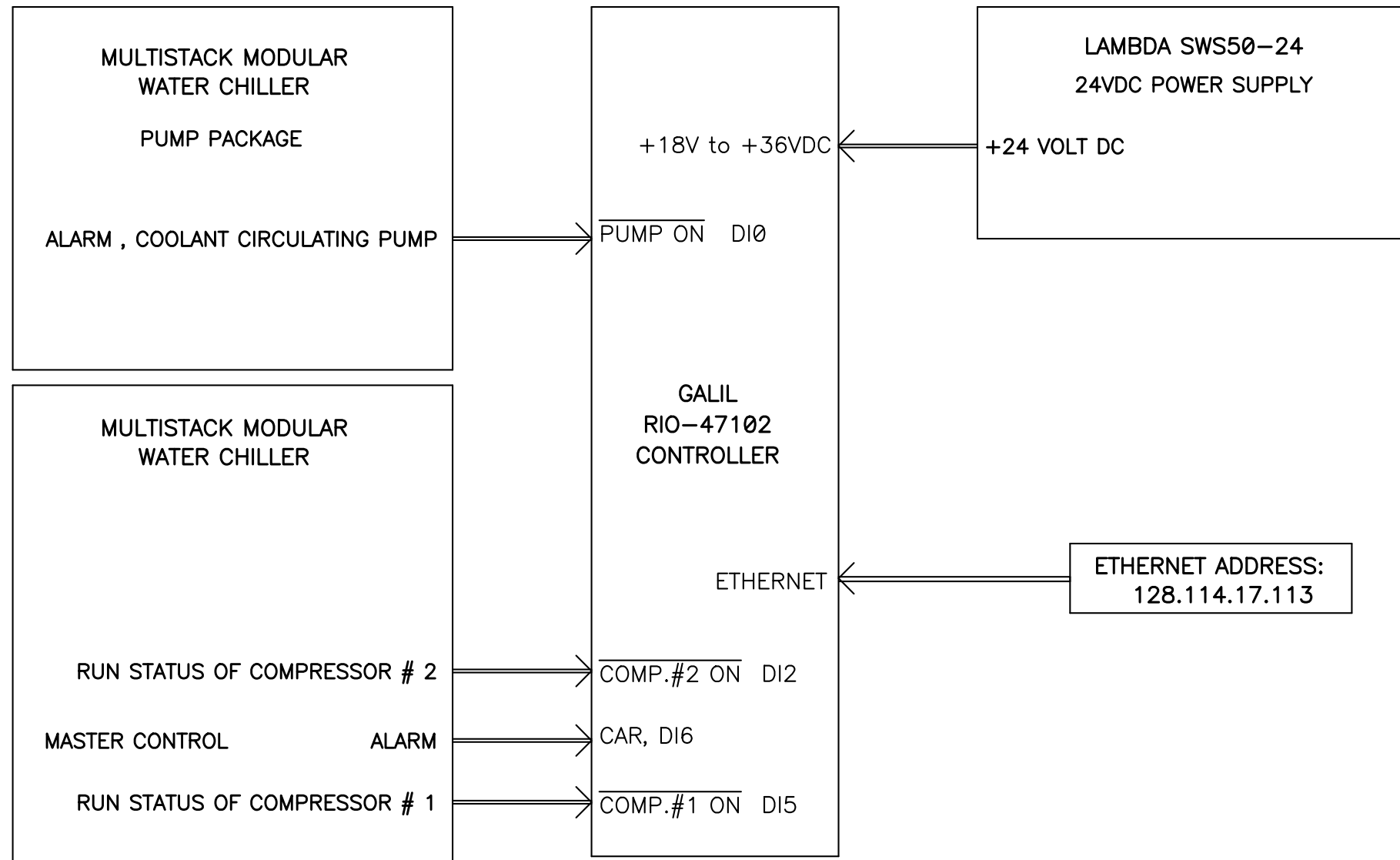


NOTE: THE RIO-47102 CONTROLLER LIVES INSIDE THE DOME. THE MULTISTACK MODULAR WATER CHILLER LIVES OUTSIDE THE DOME.



B

REVISIONS http://loel.ucolick.org/manual/Apf/schematics/AAPF_multistack_monitor_sh_1.pdf

08-13-09 UPDATED SCHEMATIC TO REFLECT INSTALATION DONE ON 8-12-09
 06-07-13 RECONFIGURED INPUTS DI0, DI2, & DI5

UNIVERSITY OF CALIFORNIA LICK OBSERVATORY		APF MULTISTACK DOME CHILLER MONITOR APF SPECTROMETER	
DES'N BY: M.SAYLOR	ORIGIN DATE: 07-21-09	DWG. NO.	NUM. 1 OF 4
Last SN	MODIFY DATE: 06-07-13	EL-3522	REV. A
PRINT TIME: 16:31:55	PRINT DATE: Fri Jun 07, 2013		
PATH: APF\		APF_multistack_monitor-b.sch	