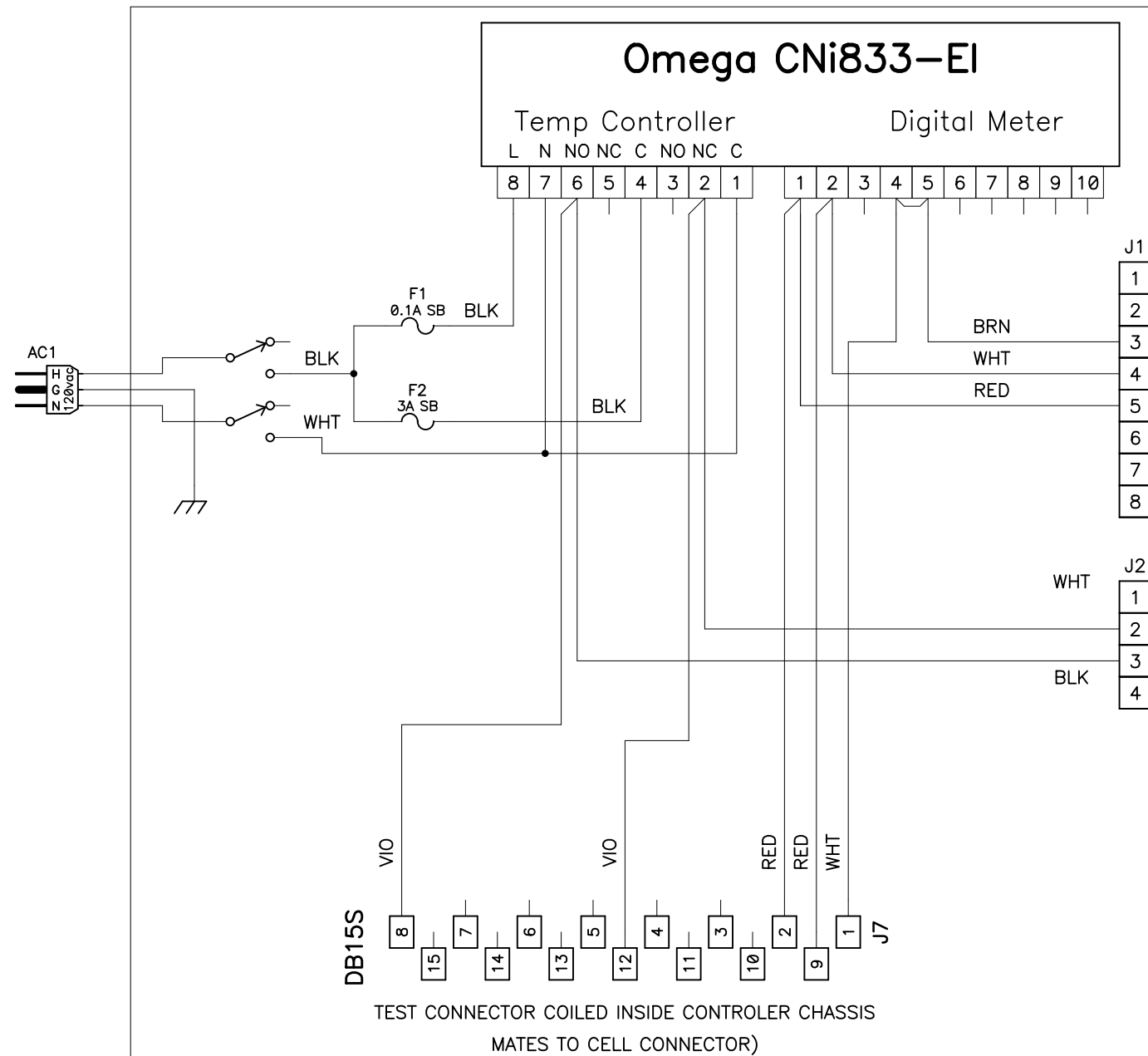
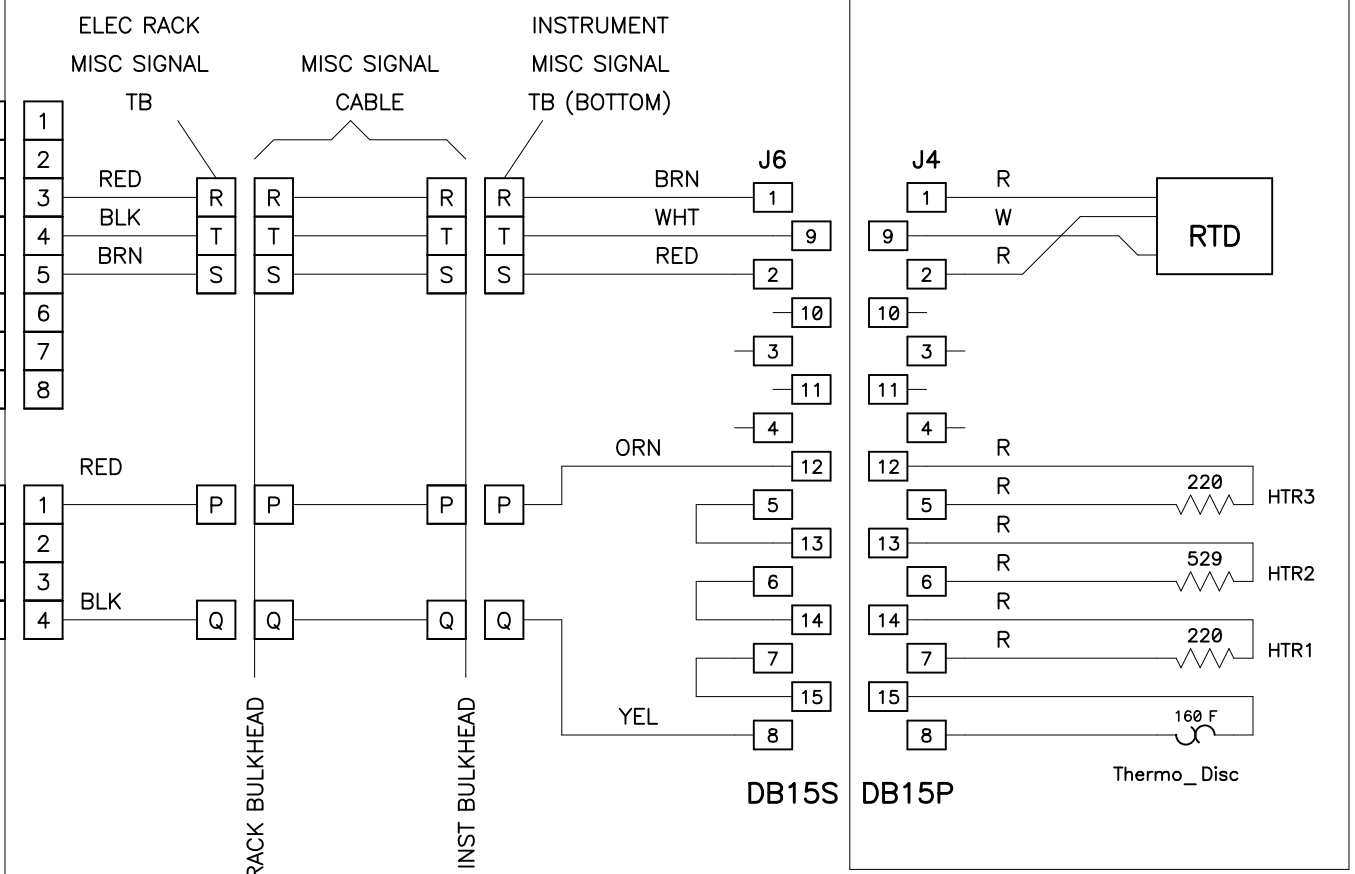


E-AXIS

IODINE CELL CONTROLLER CHASSIS



IODINE CELL STAGE



UNIVERSITY OF CALIFORNIA LICK OBSERVATORY		IODINE CELL STAGE CELL/CONTROLLER WIRING APF SPECTROMETER	
DES'N BY: B. Alcott T. Cantrall	ORIGIN DATE: 02-09-04	DWG. NO.	NUM. 4 OF 4
Last SN	MODIFY DATE: 03-30-09	EL-3515	REV. A
PRINT TIME: 10:39:22	PRINT DATE: Wed Oct 05, 2011		
PATH: APF\		APF_iodine_cell.sch	

REVISIONS http://loel.ucolick.org/manual/Apf/schematics/APF_iodine_cell_sh_4.pdf
03-30-09 ADDED SERIES JUMPERS AT CELL TO CONNECT HEATER STRIPS