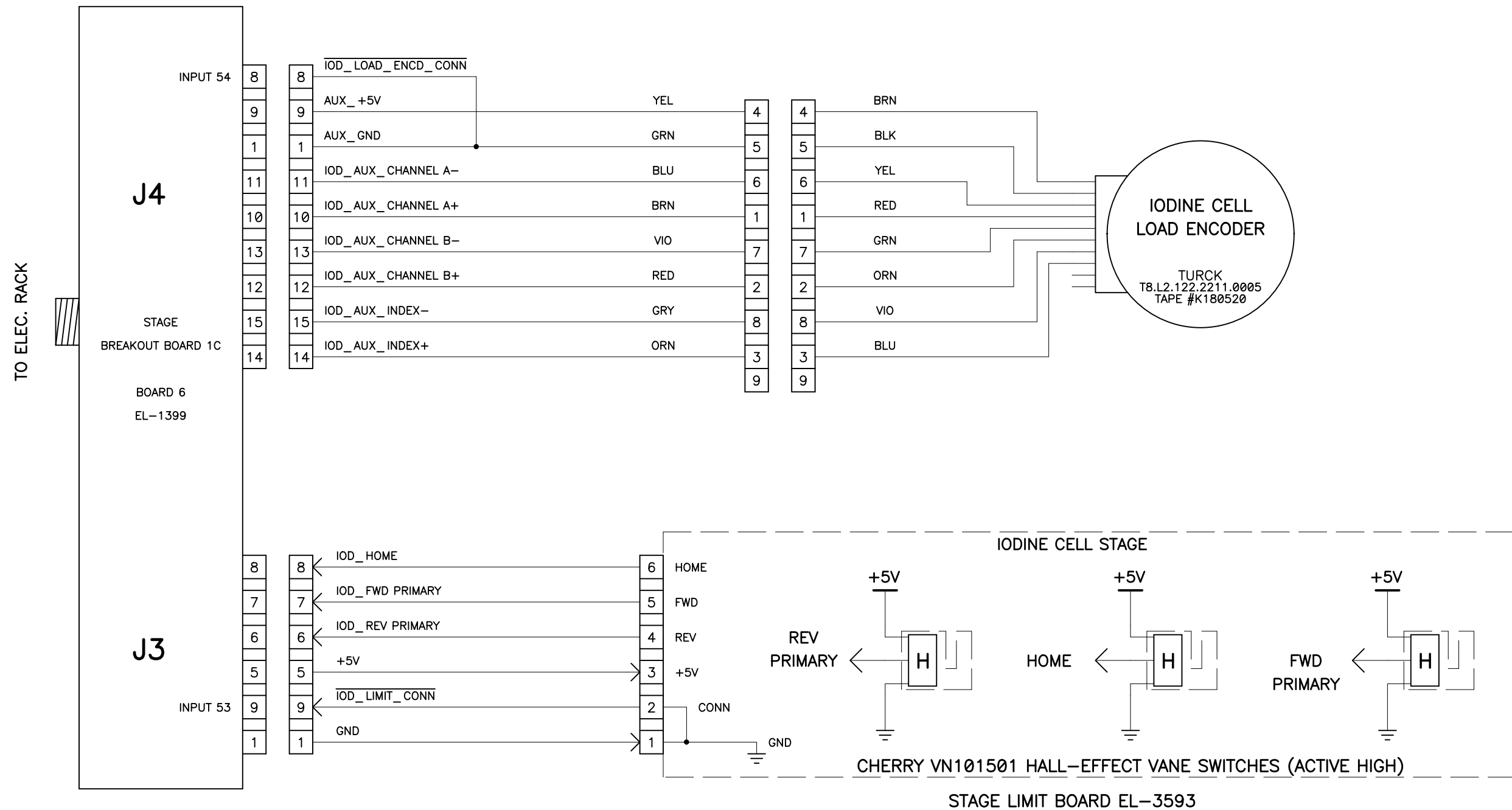


# E-AXIS



REVISIONS [http://loel.ucolick.org/manual/Apf/schematics/APF\\_iodine\\_cell\\_sh\\_3.pdf](http://loel.ucolick.org/manual/Apf/schematics/APF_iodine_cell_sh_3.pdf)

03-01-07 SPLIT SHEET 2 INTO TWO SHEETS  
 11-28-11 ADDED INPUT BIT INFO

UNIVERSITY OF CALIFORNIA LICK OBSERVATORY		IODINE CELL STAGE APF SPECTROMETER	
DES'N BY: B. Alcott	ORIGIN DATE: 02-09-04	DWG. NO.	NUM. 3 OF 4
Last SN	MODIFY DATE: 11-28-11	EL-3515	REV. A
PRINT TIME: 11:20:27	PRINT DATE: Mon Nov 28, 2011		
PATH: APF\		APF_iodine_cell.sch	