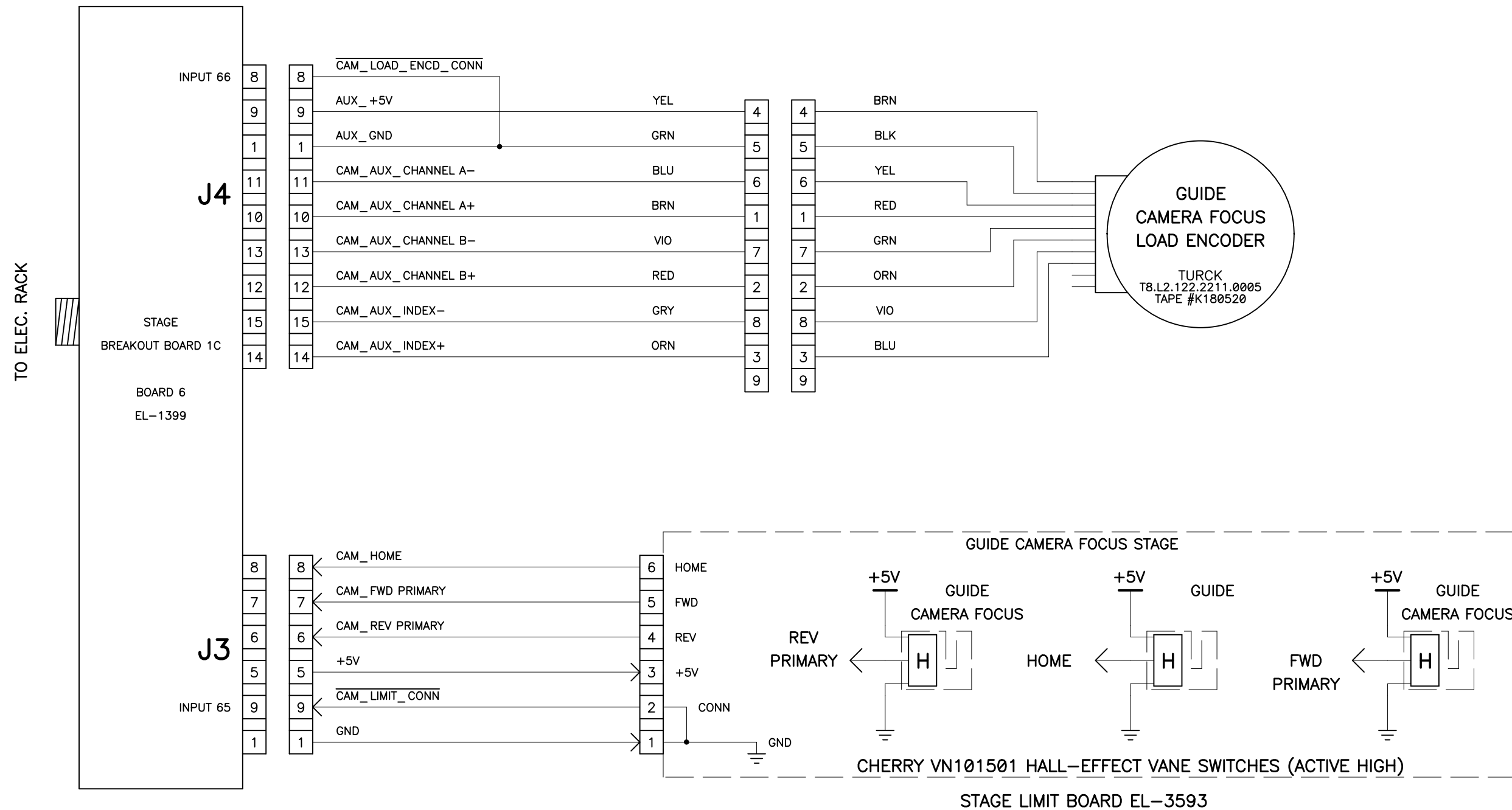


# B-AXIS



REVISIONS [http://loel.ucolick.org/manual/Apf/schematics/APF\\_guide\\_camera\\_focus\\_sh\\_3.pdf](http://loel.ucolick.org/manual/Apf/schematics/APF_guide_camera_focus_sh_3.pdf)

03-01-07 SPLIT SHEET 2 INTO TWO SHEETS  
11-28-11 ADDED INPUT BIT INFO

|  |                              |  |             |
|--|------------------------------|--|-------------|
| UNIVERSITY OF CALIFORNIA<br>LICK OBSERVATORY |                              | GUIDE CAMERA FOCUS<br>APF SPECTROMETER |             |
| DES'N BY: B. Alcott                          | ORIGIN DATE: 02-09-04        | DWG. NO.                               | NUM. 3 OF 3 |
| Last SN                                      | MODIFY DATE: 11-28-11        | EL-3512                                | REV.<br>A   |
| PRINT TIME: 09:57:36                         | PRINT DATE: Mon Nov 28, 2011 |  |             |
| PATH: APF\                                   |                              | APF_guide_camera_focus.sch             |             |