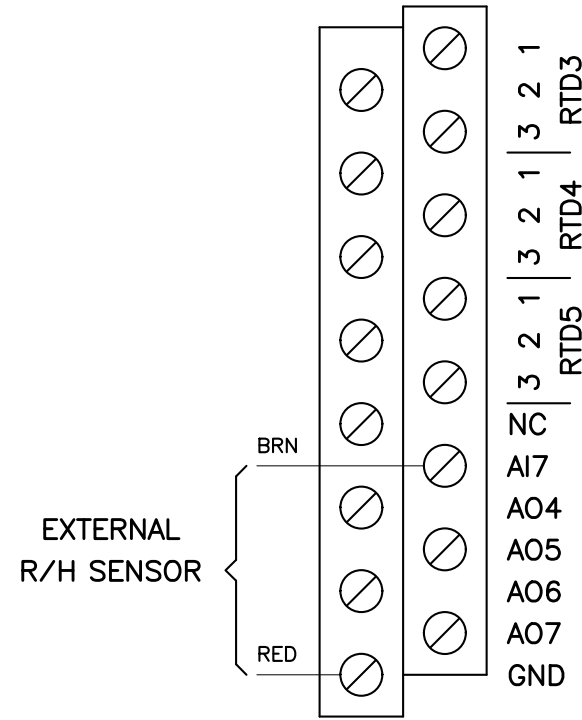


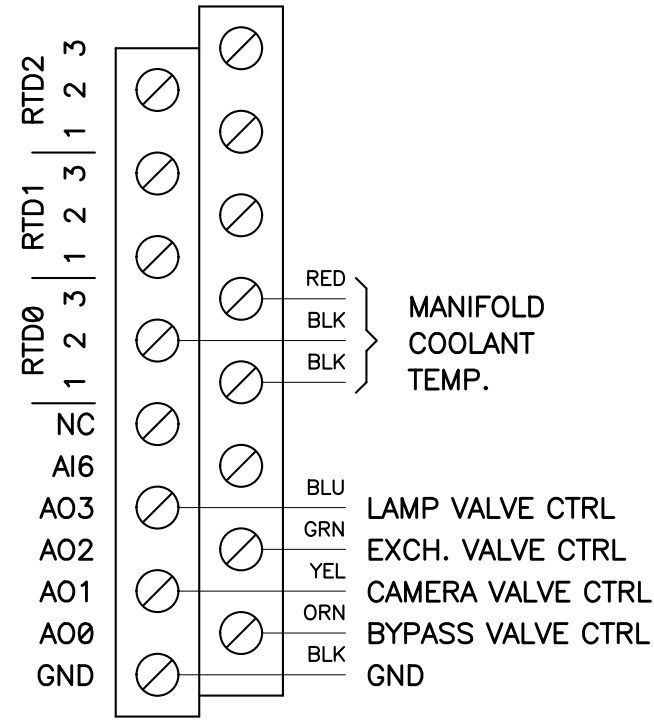
GALIL SCB-48206
RTD SIGNAL CONDITIONING BOARDS

EXTERNAL RIO

LEFT SIDE TERMINALS

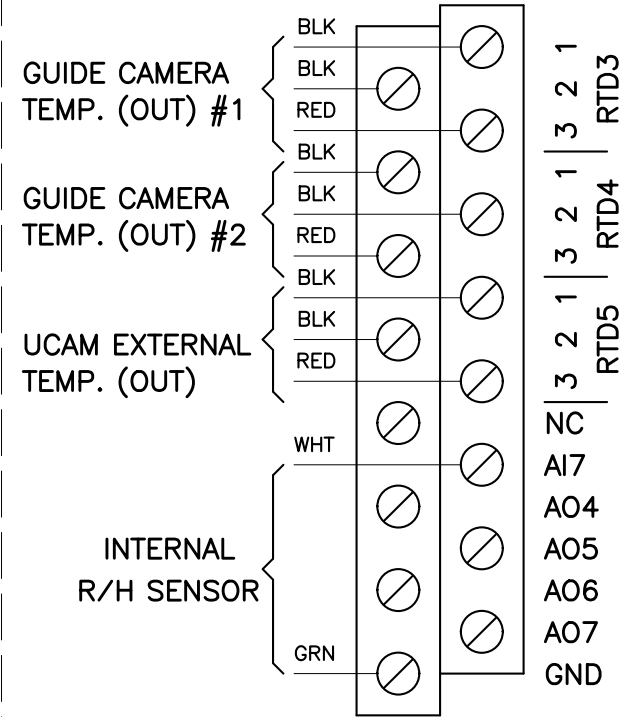


RIGHT SIDE TERMINALS

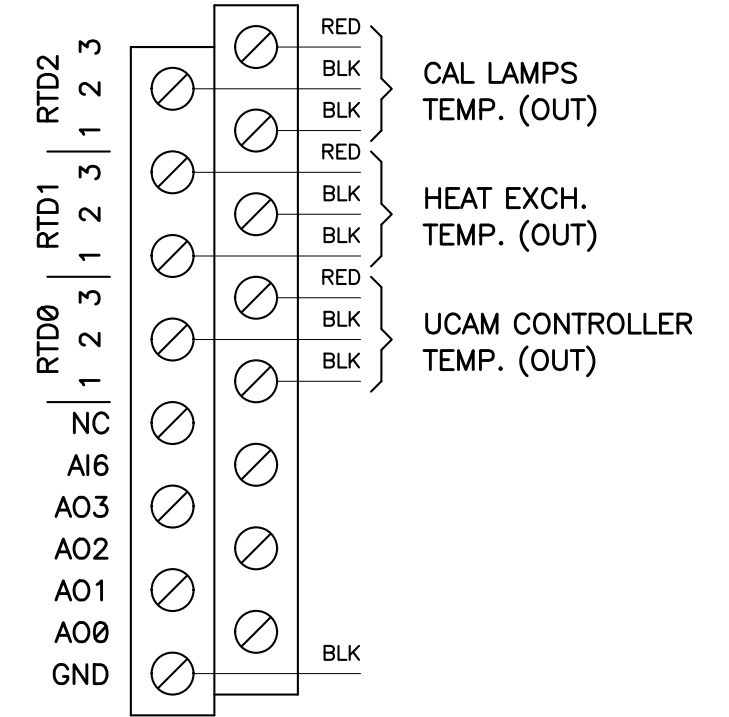


INTERNAL RIO

LEFT SIDE TERMINALS



RIGHT SIDE TERMINALS



RTD PINS	OMEGA RTDS
1 EXCITE	EXCITE BLACK
2 SENSE	SENSE BLACK
3 COMMON	COMMON RED

REVISIONS

04-06-10 ADDED BYPASS VALVE TO AOUT1, R/H INPUTS, AND WIRE COLORS
 04-14-10 ADDED TWO RTDS TO INTERNAL RIO. UPDATED I/O ASIGNMENTS.
 09-13-10 ADDED RTD 5 FOR UCAM CONTROLLER

http://loel.uclick.org/manual/APF/schematics/APF_cooling_sh_2.pdf

UNIVERSITY OF CALIFORNIA LICK OBSERVATORY		COOLING SYSTEM RIO ANALOG INPUT WIRING APF SPECTROMETER	
DES'N BY: B. Alcott	ORIGIN DATE: 01-07-05	DWG. NO. EL-3505	NUM. 2 OF 5
Last SN	MODIFY DATE: 09-13-10	REV. A	
PRINT TIME: 13:59:50	PRINT DATE: Mon Sep 13, 2010		
PATH: APF\			APF_cooling.sch