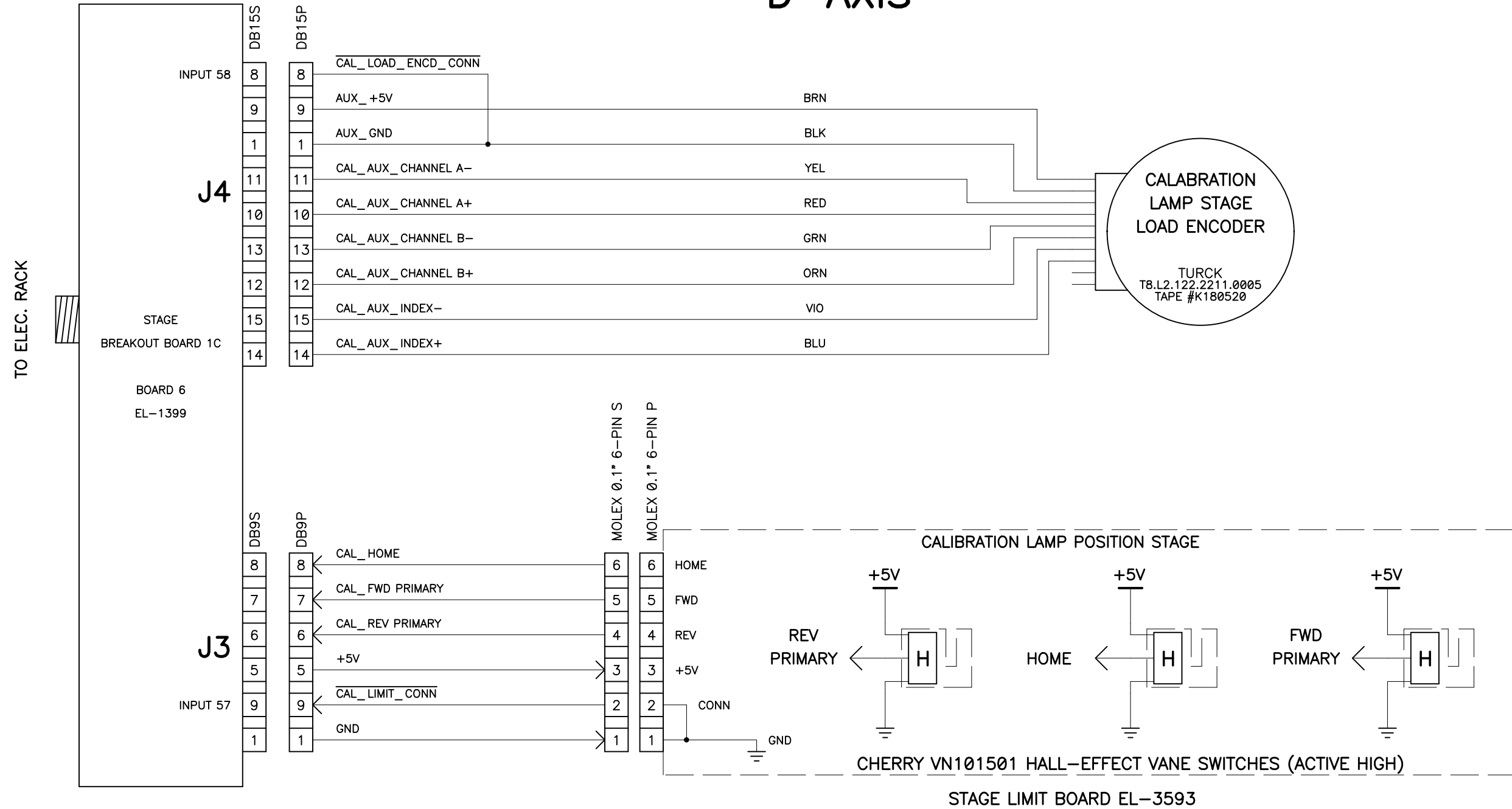


D-AXIS



REVISIONS http://loel.ucolick.org/manual/Apf/schematics/APF_calib_lamp_sh_3.pdf

03-01-07 SPLIT SHEET 2 INTO TWO SHEETS
 11-28-11 ADDED INPUT BIT INFO

UNIVERSITY OF CALIFORNIA LICK OBSERVATORY		CALIBRATION LAMP STAGE APF SPECTROMETER	
DES'N BY: B. Alcott	ORIGIN DATE: 02-09-04	DWG. NO.	NUM. 3 OF 5
Last SN	MODIFY DATE: 11-28-11	EL-3514	REV. C
PRINT TIME: 11:07:03	PRINT DATE: Mon Nov 28, 2011		
PATH: APF\		APF_calib_lamp.sch	