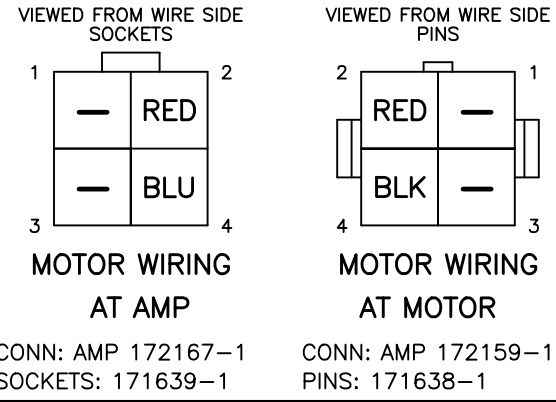


*NOTE: SECONDARY LIMIT SWITCHES ARE USED WITH THE ROLLER NORMALLY DEPRESSED. THIS DIAGRAM REFLECTS THE CONNECTIONS TO THE SWITCH - NC, NO, AND COM. IN USE, THE CURRENT PATHS ARE 'MADE'

NOTE: US DIGITAL ENCODER A AND B CHANNELS ARE SWAPPED FOR ALL APF STAGES. THIS ALLOWS MOTOR WIRING TO BE CONSISTENT WITH OUR EXISTING SCHEME WHERE POSITIVE MOVES MOVE THE STAGE AWAY FROM ITS MOTOR.



REVISIONS	URL
03-01-07 SPLIT SHEET 2 INTO TWO SHEETS	http://loel.ucolick.org/manual/Apf/schematics/APF_calib_lamp_sh_2.pdf
03-02-07 ADDED MOTOR TEMPERATURE SENSOR WIRING SHEETS 1 AND 2	
04-16-07 ADDED CONNECTOR LABELS	
01-30-08 ADDED SHIELDS TO MOTOR SIGNALS AND ADDED CONNECTOR PART NUMBERS FOR MOTOR CONNECTOR	
10-24-08 REMOVED UNUSED CONNECTOR BETWEEN STAGE BREAKOUT BOARD (EL1399) & THE U.S. DIGITAL ENCODER.	
05-27-11 CORRECTED TEMPERATURE SENSOR WIRING AND ADDED COLORS	
11-28-11 ADDED INPUT BIT INFO	

UNIVERSITY OF CALIFORNIA LICK OBSERVATORY		CALIBRATION LAMP STAGE APF SPECTROMETER	
DES'N BY: B. Alcott	ORIGIN DATE: 02-09-04	DWG. NO. EL-3514	NUM. 2 OF 5
Last SN	MODIFY DATE: 11-28-11	REV. C	
PRINT TIME: 11:25:58	PRINT DATE: Tue Nov 29, 2011	PATH: APF\ APF_calib_lamp.sch	