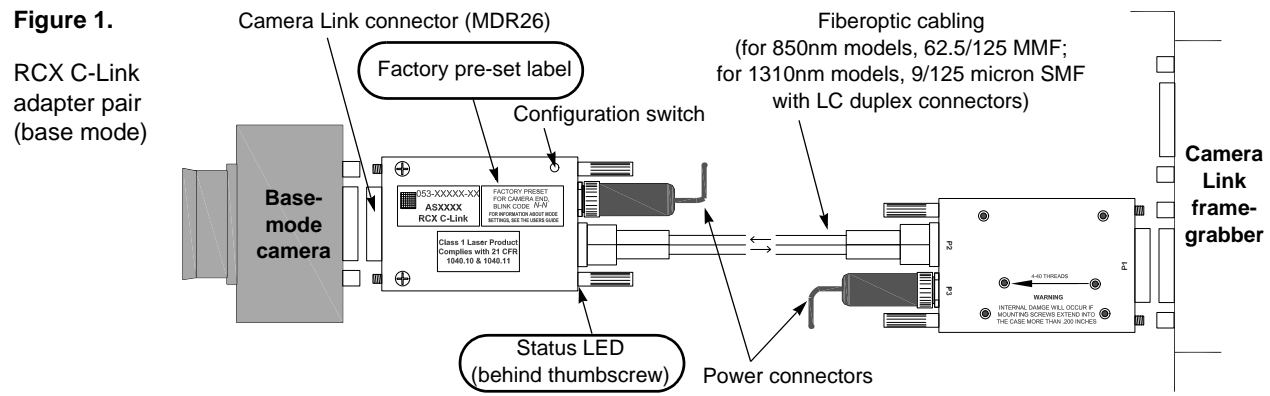


RCX C-Link Adapter Pair – Base Mode Configuration

Each EDT RCX C-Link adapter comes with factory presets, as well as the ability to reset them. Follow the steps below for a quick start or, for details, see the RCX C-Link and EDT Digital Video (DV) Boards User's Guides at www.edt.com.

Figure 1.



First, verify presets. On each adapter's factory preset label (circled in Figure 1), find "Blink Code N-N." The first number tells you the device to which the adapter connects (1 for camera, 2 for framegrabber); the second number tells you the adapter's constraints for pixel clock rate and bit range, as shown below.

If blink code is...	...then the adapter connects to the...	...and requires a clock rate of...	...and a bit range of...	Note
1-1	camera end	20–40 MHz	8–24 bits	
1-2	camera end	20–60 MHz	8–16 bits	For more on
1-3	camera end	20–60 MHz	8–24 bits	the status LED
1-4	camera end	60–80 MHz	8–24 bits	blink codes,
2-1	framegrabber end	40 MHz	8–24 bits	see the
2-2	framegrabber end	60 MHz	8–16 bits	RCX C-Link
2-3	framegrabber end	60 MHz	8–24 bits	User's Guide.
2-4	framegrabber end	80 MHz	8–24 bits	

Each adapter must be used as its settings dictate. If you attach a camera-end adapter to the framegrabber end, or vice versa, the data will not transfer; if you use a pixel clock rate beyond the preset range, images will break up. Thus, to use an adapter at the "other" end (not the end for which it was preset), or with a different pixel clock rate, you'll need to reset it according to the RCX C-Link User's Guide. (If you do reset an adapter, relabel it immediately to avoid confusion.)

Second, with all power off, connect all devices. Connect the "camera end" adapter to the camera; the "framegrabber end" adapter to the framegrabber; the cabling between the two adapters; and lastly, the adapters to the power supply.

Third, power up all devices. In any order, power up all cameras, computers, and adapters. Each adapter's status LED (circled in Figure 1) should blink briefly and then stay green. If it does not, proceed with troubleshooting (below).

Fourth, troubleshoot if necessary. If the status LED does not stay green, but instead continues to blink or goes dark:

- Verify all devices (computers, framegrabbers, cameras, adapters) are securely connected and powered on.
- Use the framegrabber user's guide to verify the framegrabber is set up to receive data from the camera.
- Verify the cabling is fully and properly connected (no kinks or gaps) and is the correct type for the adapter.
- If the problem persists, see the appropriate User's Guides (referenced above) for more troubleshooting tips.

Note that if you use an EDT FOX framegrabber, this guide applies to the camera end but not the framegrabber end (since the FOX board has the adapter built in). Also, medium- and full-mode cameras (indicated by two connectors on the back) require specially configured adapters; using four base-mode adapters will not work. Contact EDT for options.