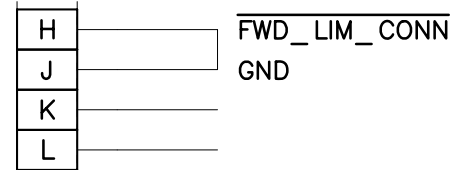
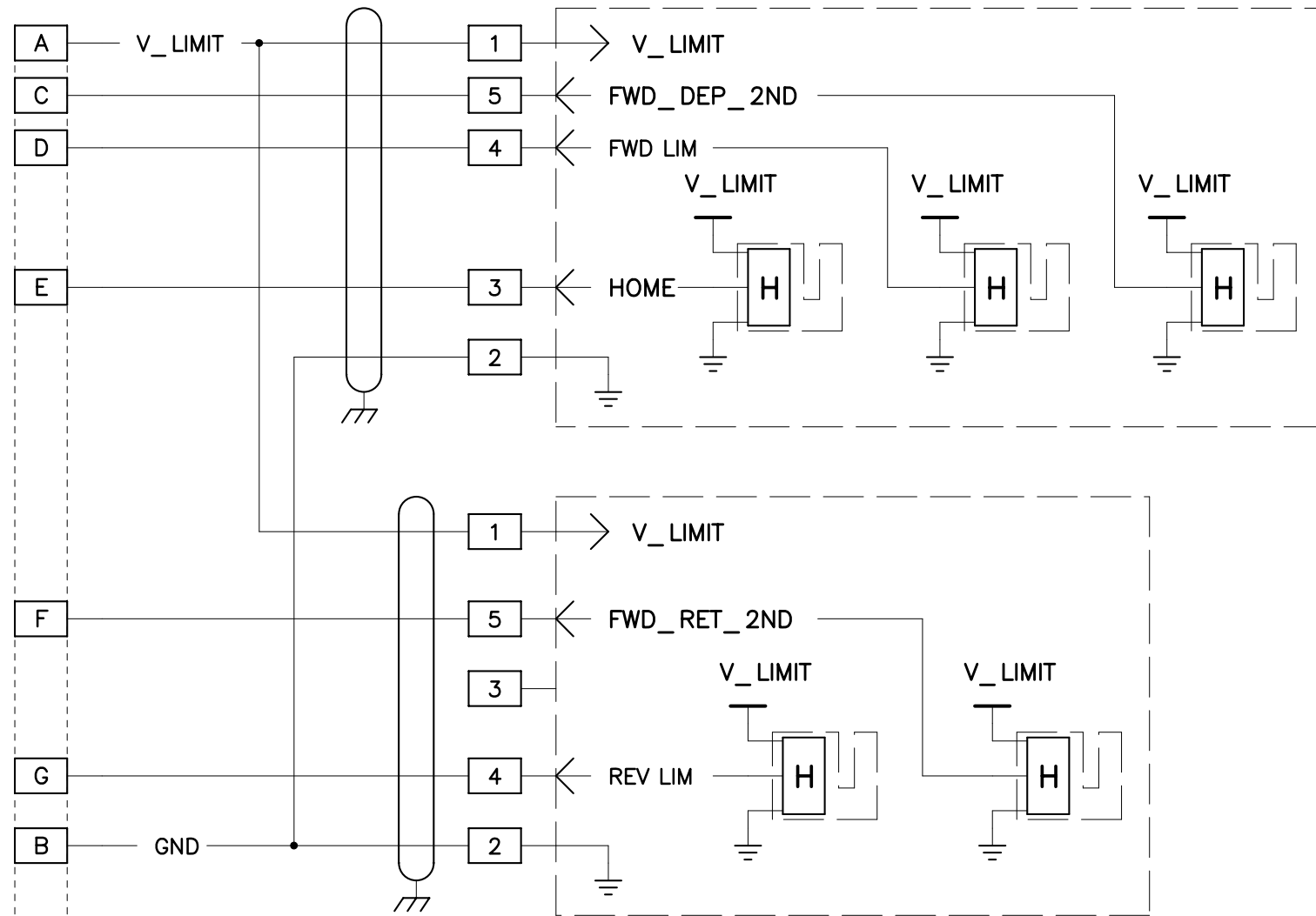


# FORWARD PRISM CELL

J604

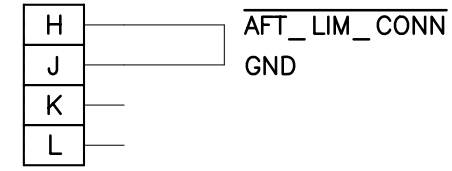
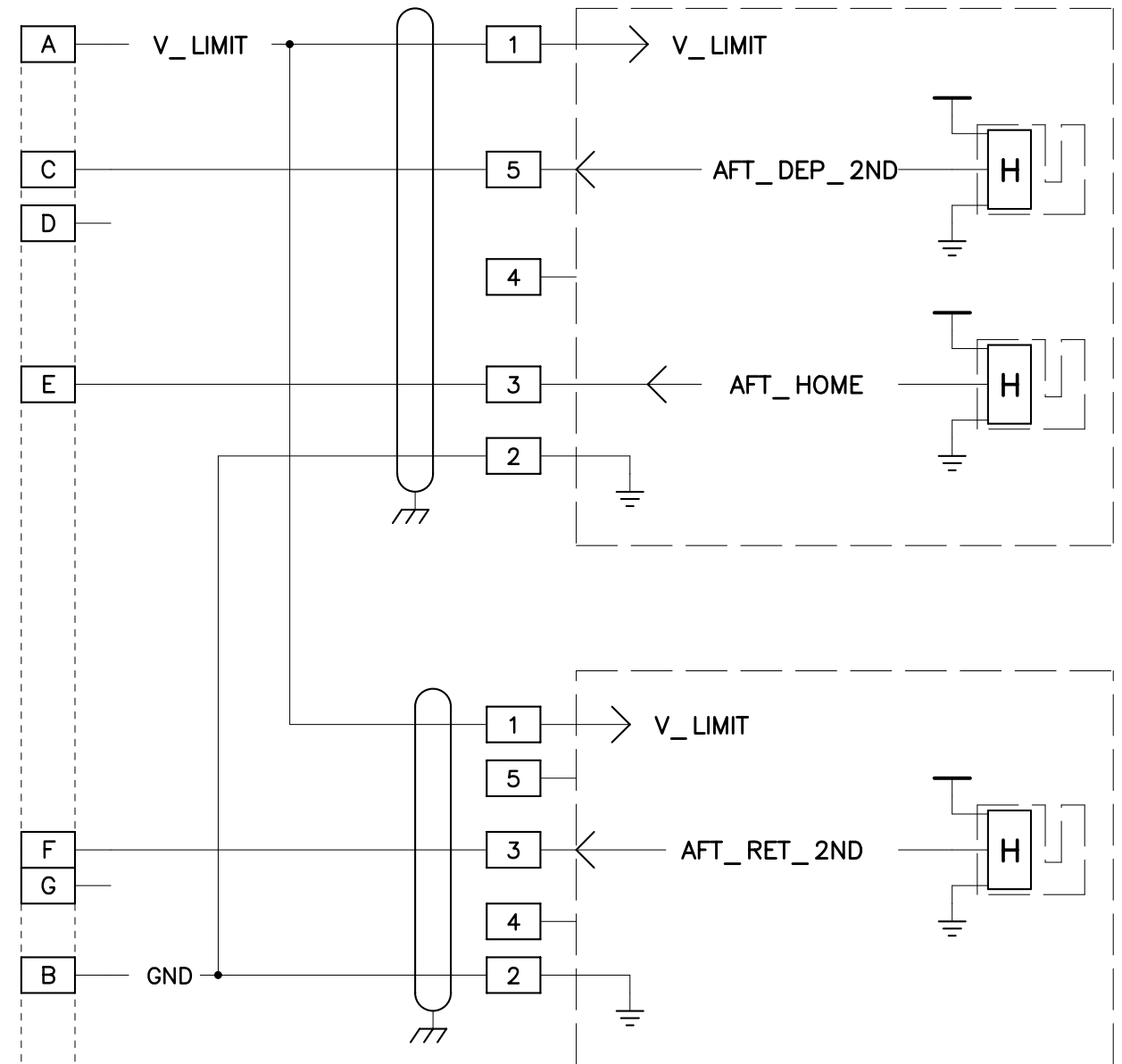


18-11P

ALL SENSORS:  
CHERRY VN101501  
OR VN101503

# AFT PRISM CELL

J605



18-11S

UNIVERSITY OF CALIFORNIA  
LICK OBSERVATORY

ADC STAGE  
KECK ADC

REVISIONS [http://loel.ucolick.org/manual/ADC/schematics/ADC\\_power\\_sh\\_5.sch.pdf](http://loel.ucolick.org/manual/ADC/schematics/ADC_power_sh_5.sch.pdf)

- 04-20-04 RENUMBERED ALL CONNECTORS
- 04-26-04 CHANGE J604-A FROM +5V TO FWD\_2ND\_PWR. THIS POWER IS SWITCHED FROM GALIL +5V TO INTERLOCK +15V WHEN SYSTEM IS IN BYPASS MODE.
- 05-05-04 REMOVED BAR (LOW TRUE) FROM HALL-EFFECT SIGNAL NAMES
- 06-21-04 CHANGED LABEL FOR FWD CELL POWER FROM FWD\_2ND\_PWR/Vcc TO V\_LIMIT
- 10-25-04 CORRECTED J604 AND J605 LAST PIN LABEL FROM J TO L
- 02-24-05 REARRANGED PAGE, BROKE SENSOR UP BY BOARDS
- 03-22-05 SWAPPED GENDERS ON CONNECTORS J604 AND J605 TO REFLECT AS WIRED

DES'N BY: B. Alcott

ORIGIN DATE: 09-16-03

DWG. NO.

NUM. 5 OF 6

Last SN

MODIFY DATE: 03-22-05

EL-3610

REV.  
A

PRINT TIME: 09:24:31

PRINT DATE: Mon Mar 12, 2007

PATH:  
ADC\

ADC\_stage.sch