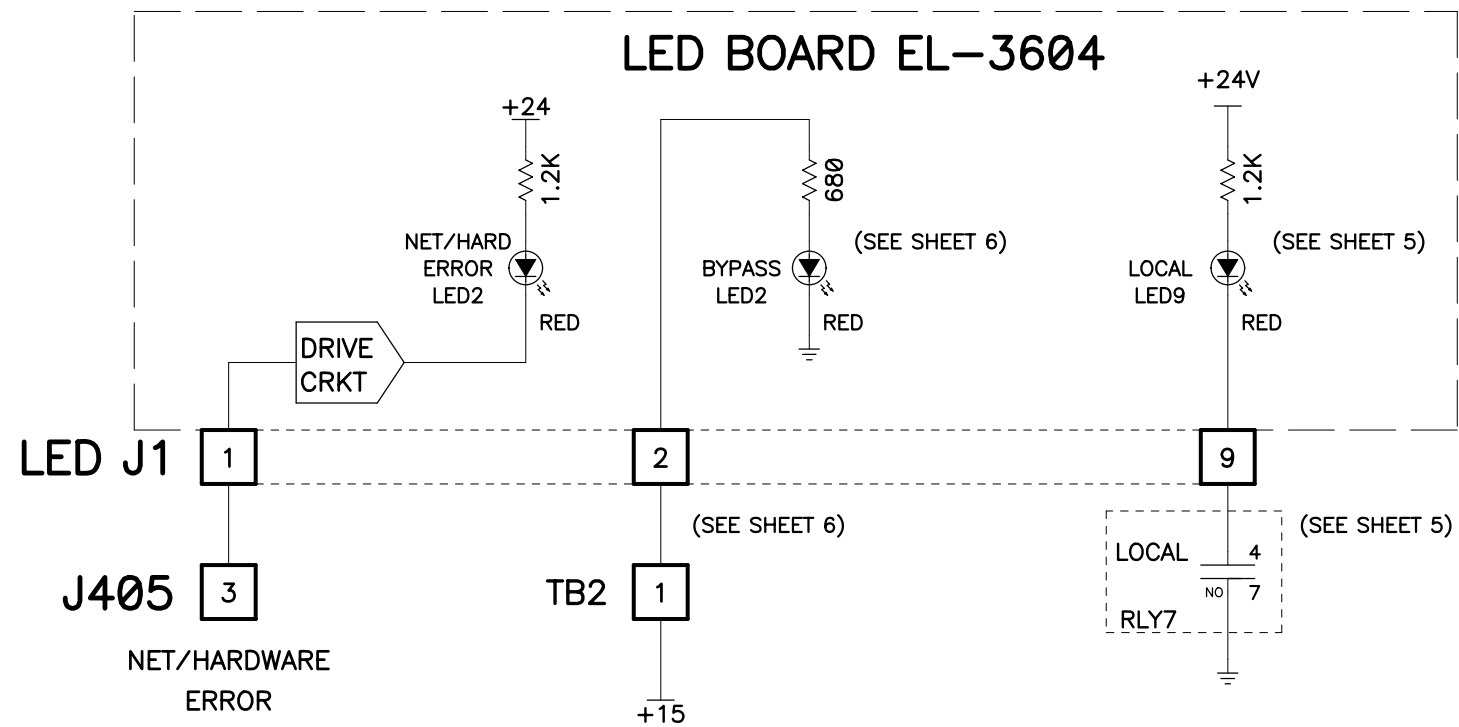
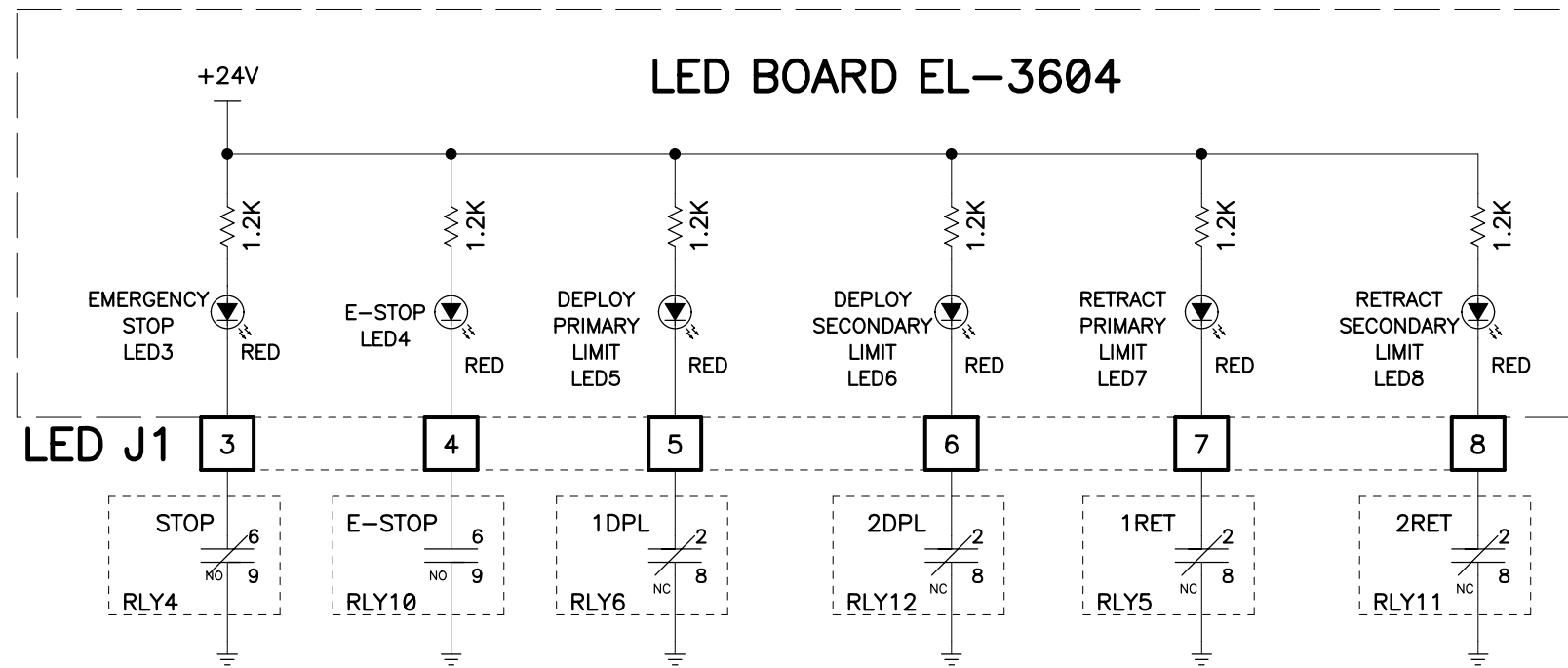
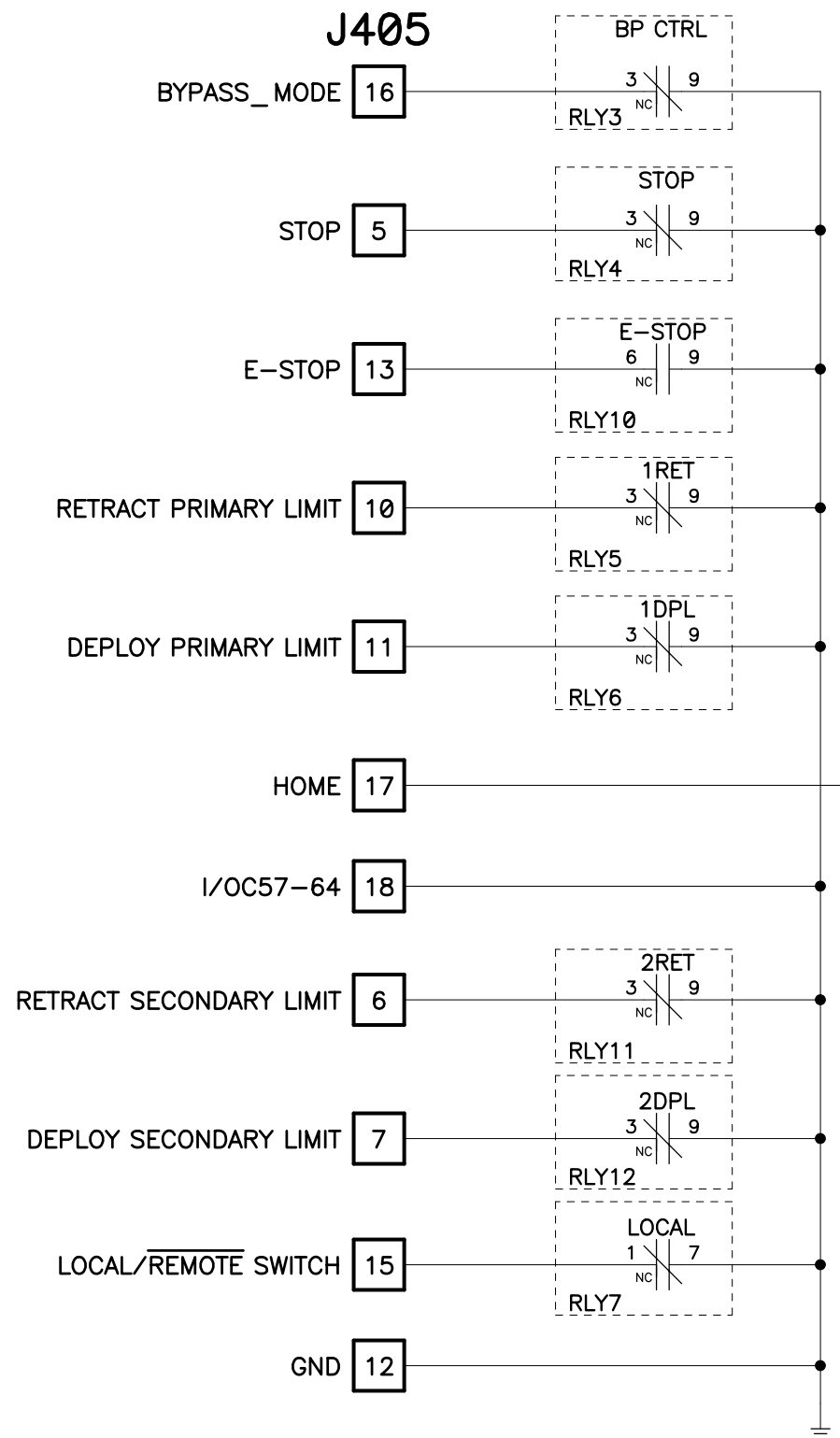


GALIL I/O

FRONT PANEL INDICATORS



REVISION	
06-22-04	ADDED J405 AND J406 PIN NUMBERS TO THIS SHEET
09-29-04	ADDED LOCAL/REMOTE SIGNALS AND ADDED RELAY NUMBERS
10-12-04	ADDED LED WIRING DETAILS
10-12-04	ADDED NO & NC LABELS TO RELAY CONTACTS
10-29-04	REMOVED INCORRECT CONNECTION FROM J406-8 TO GND
12-21-04	CHANGED FROM NO CONTACTS TO NC FOR STAGE LIMIT RELAY LED CONNECTIONS
02-07-05	CORRECTED NET/NETWORK LABEL TO NET/HARDWARE
02-22-07	CHANGED E-STOP RELAY CONTACTS FOR RELAY 10 AT GALIL I/O INPUT AND FOR LED DRIVE. G. TOLLETH

UNIVERSITY OF CALIFORNIA LICK OBSERVATORY		KECK ADC LIMIT INTERLOCK	
DES'N BY: B. Alcott	ORIGIN DATE: 10-03-03	DWG. NO.	NUM. 7 OF 8
Last SN	MODIFY DATE: 02-07-05	EL-3612	
PRINT TIME: 08:20:53	PRINT DATE: Mon Mar 12, 2007	REV. B	
PATH: ADC\		ADC_interlock.sch	