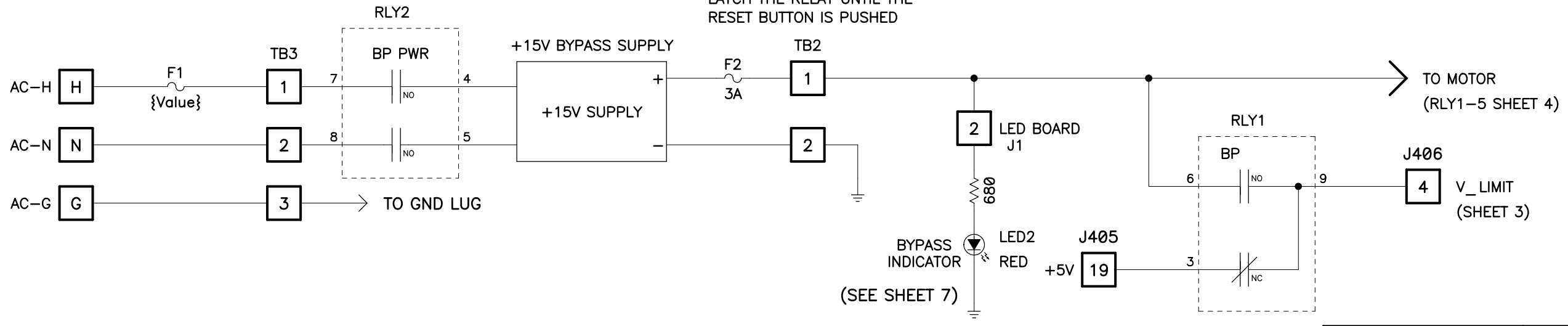


WHEN EITHER THE EMERGENCY STOP OR E-STOP RELAY IS ACTIVATED, THESE CONTACT LATCH THE RELAY UNTIL THE RESET BUTTON IS PUSHED



REVISION	
09-08-04	ADDED RELAY DESIGNATORS
09-29-04	ADDED RELAY NUMBERS AND SWITCH NUMBERS
10-11-04	CORRECTED 15V SUPPLY AC WIRING
10-12-04	ADDED LABEL (LED2) AND NOTE TO BYPASS LED
10-12-04	ADDED NO & NC LABELS TO RELAY CONTACTS
10-25-04	ADDED TB2 TO +15V SUPPLY OUTPUT
10-29-04	ADDED 15 VOLT SUPPLY AC FUSE VALUE (1A) AND CORRECTED +5V PIN ON J405 FROM 2 TO 19.
01-21-05	CORRECTED GND PIN FOR STAGE EMERGENCY STOP SWITCH FROM 's' TO 'M'
02-22-07	CHANGED E-STOP RELAY CONTACT FROM NO TO NC FOR RELAY 10 - WAS PIN 4 & 7, NOW: 1 & 7. G. TOLLETH

UNIVERSITY OF CALIFORNIA LICK OBSERVATORY		KECK ADC LIMIT INTERLOCK	
DES'N BY: B. Alcott	ORIGIN DATE: 10-03-03	DWG. NO. NUM. 6 OF 8	REV. B
Last SN	MODIFY DATE: 02-22-07	EL-3612	
PRINT TIME: 12:14:37	PRINT DATE: Thu Feb 22, 2007		
PATH: ADC\		ADC_interlock.sch	