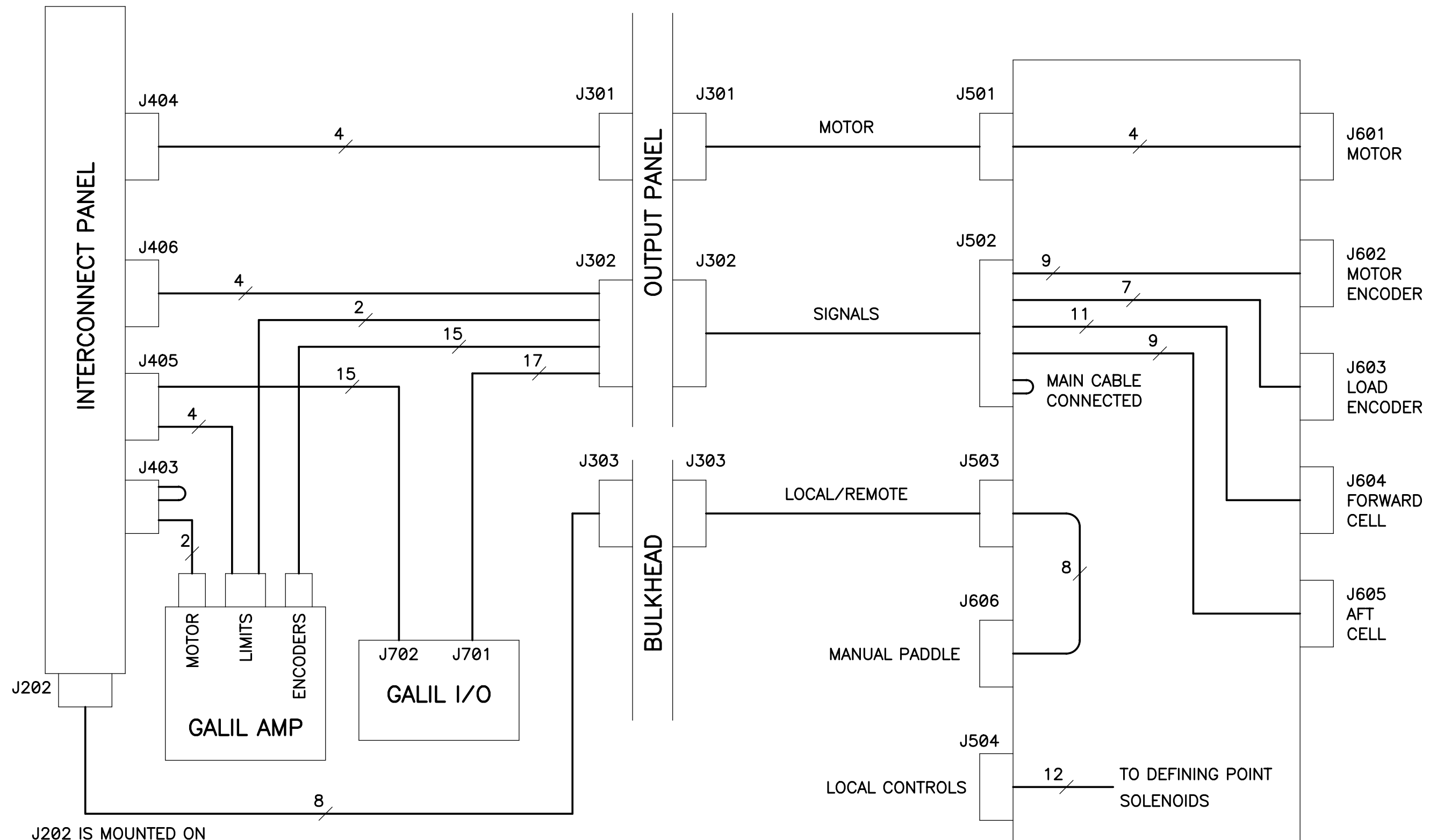


WIRING WITHIN ELECTRONICS CHASSIS

WIRING WITHIN STAGE INTERCONNECT PANEL



J202 IS MOUNTED ON THE FRONT PANEL AND RECEIVES THIS CABLE OR THE MANUAL PADDLE CABLE

| REVISION  |
|---|
| 06-15-04 ADDED THIS SHEET   |
| 02-07-05 ADDED CONNECTOR NUMBERS J701 AND J702 TO GALIL I/O BLOCK |

|  |                              |                           |             |
|--|------------------------------|---------------------------|-------------|
| UNIVERSITY OF CALIFORNIA<br>LICK OBSERVATORY |                              | KECK ADC<br>BLOCK DIAGRAM |             |
| DES'N BY: B. Alcott                          | ORIGIN DATE: 08-20-03        | DWG. NO.                  | NUM. 3 OF 3 |
| Last SN                                      | MODIFY DATE: 02-07-05        | EL-3601                   |             |
| PRINT TIME: 07:33:17                         | PRINT DATE: Wed Mar 23, 2005 | REV. B                    |             |
| PATH: ADC/                                   |                              | ADC_block_Rev_B.sch       |             |