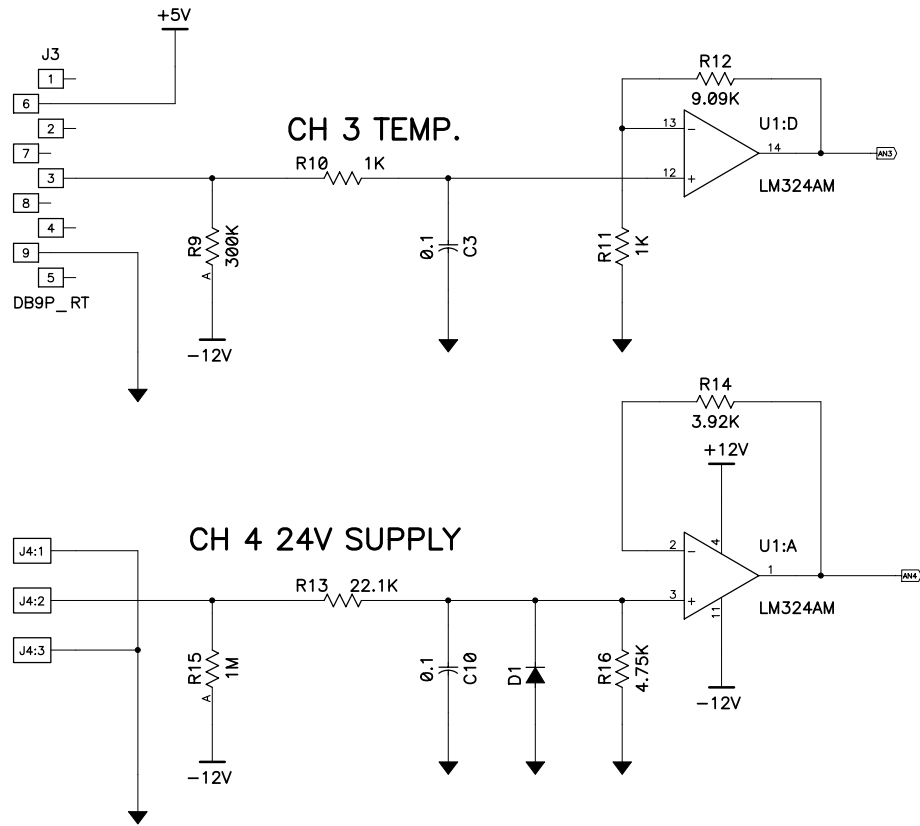


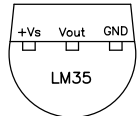
UNIVERSITY OF CALIFORNIA LICK OBSERVATORY		4 CHANNEL TEMPERATURE SENSOR BOARD	
DES'N BY: B. Alcott	ORIGIN DATE: 03-17-04	DWG. NO.	NUM. 1 OF 2
Last SN	MODIFY DATE: 04-14-04	EL-1356	REV. A
PRINT TIME: 07:50:31	PRINT DATE: Wed Apr 14, 2004		
PATH: GENERAL\EL-1365\4ch_temp_sensor		4ch_temp_sensor.sch	

REVISIONS

04-14-04	CHANGED BOARD NAME TO 4 CHANNEL FROM 3 CHANNEL
----------	--



BOTTOM VIEW



REVISIONS

04-14-04 CHANGED BOARD NAME TO 4 CHANNEL FROM 3 CHANNEL

UNIVERSITY OF CALIFORNIA LICK OBSERVATORY		4 CHANNEL TEMPERATURE SENSOR BOARD	
DES'N BY: B. Alcott	ORIGIN DATE: 03-17-04	DWG. NO. EL-1356	NUM. 2 OF 2
Last SN	MODIFY DATE: 04-14-04	REV. A	
PRINT TIME: 07:50:46	PRINT DATE: Wed Apr 14, 2004		
PATH: GENERAL\EL-1365\4ch_temp_sensor		4ch_temp_sensor.sch	